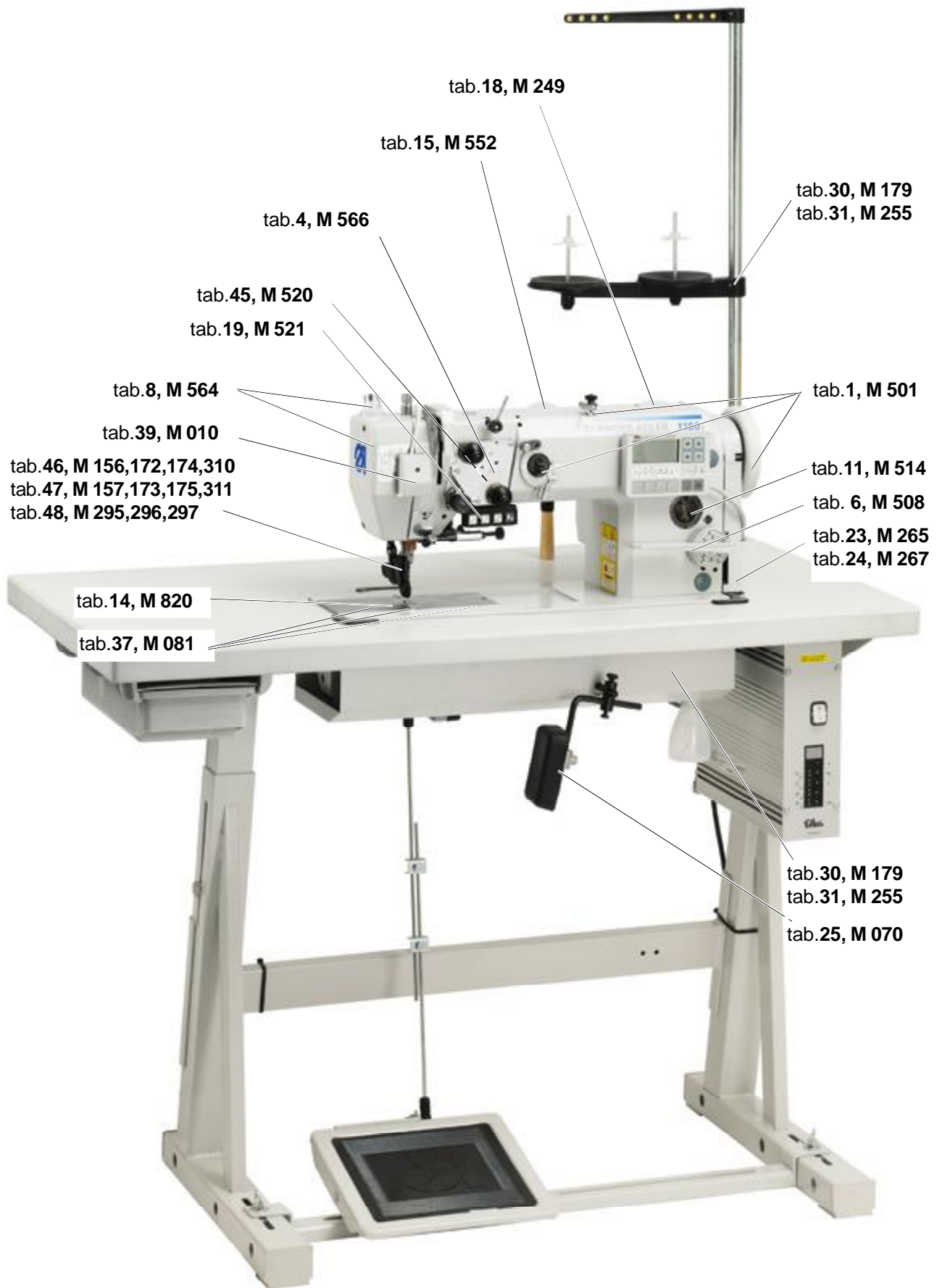




**Spare parts list**  
**Katalog náhradních dílů**

**1180i - 5**



tab.18, M 249

tab.15, M 552

tab.30, M 179  
tab.31, M 255

tab.4, M 566

tab.45, M 520

tab.19, M 521

tab.1, M 501

tab.8, M 564

tab.39, M 010

tab.46, M 156,172,174,310

tab.47, M 157,173,175,311

tab.48, M 295,296,297

tab.11, M 514

tab.6, M 508

tab.23, M 265

tab.24, M 267

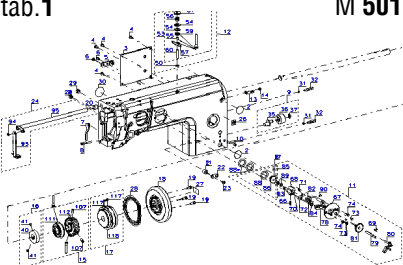
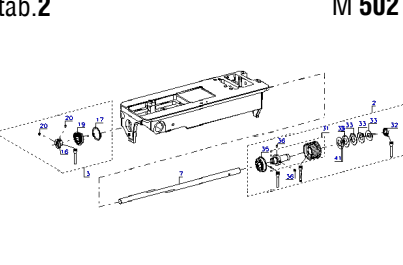
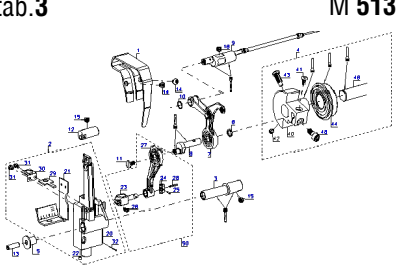
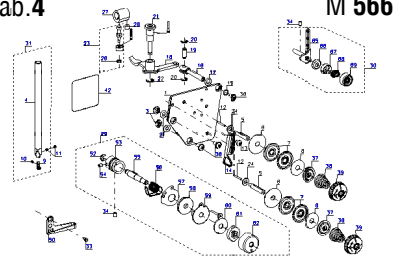
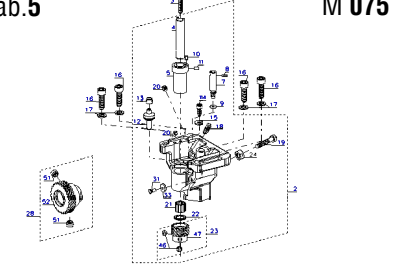
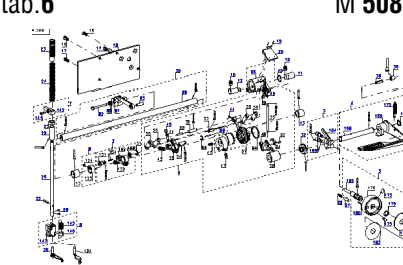
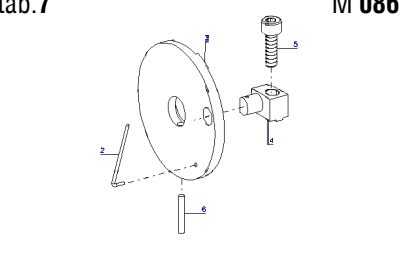
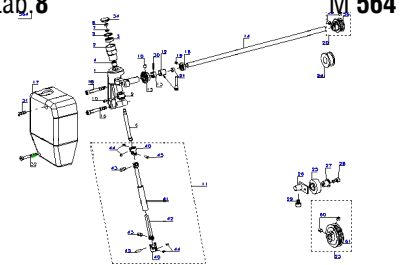
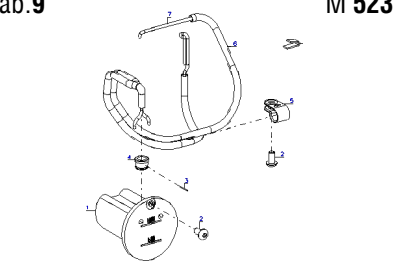
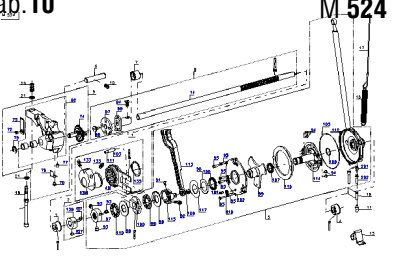
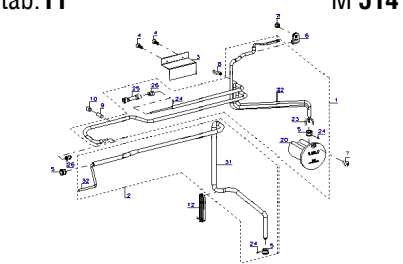
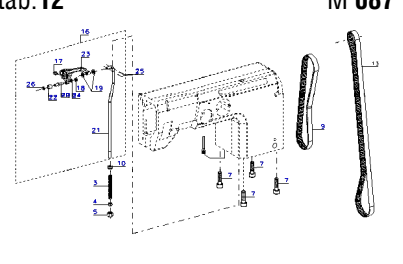
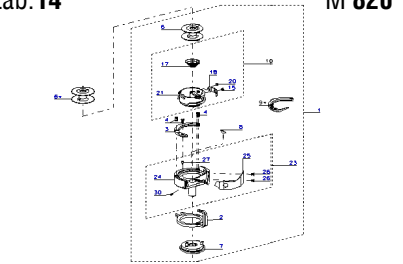
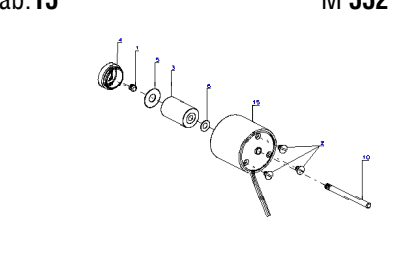
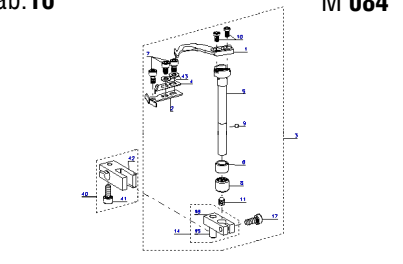
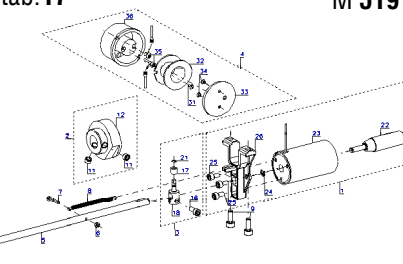
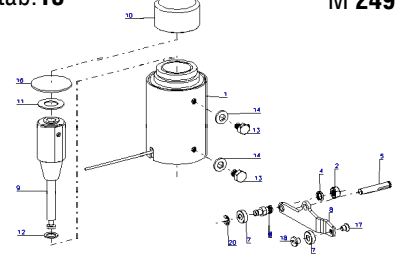
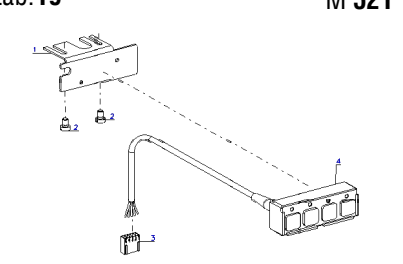
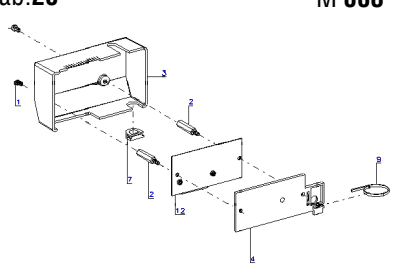
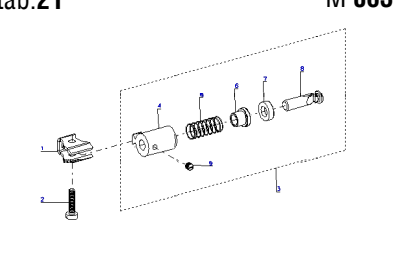
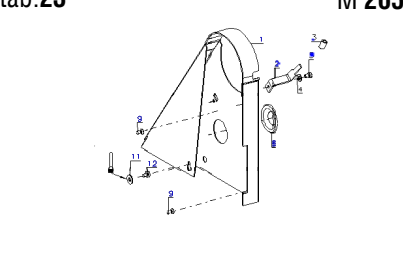
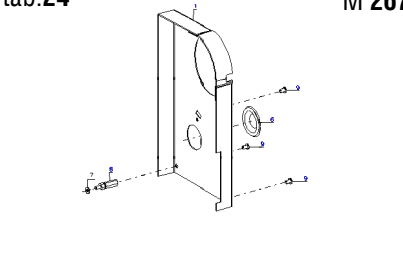
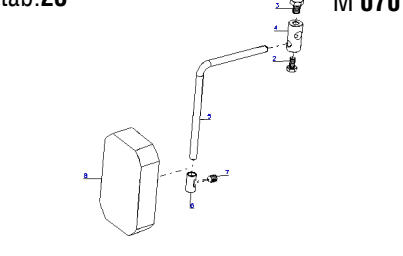
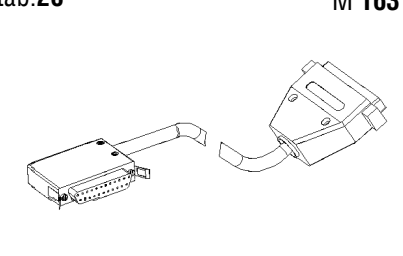
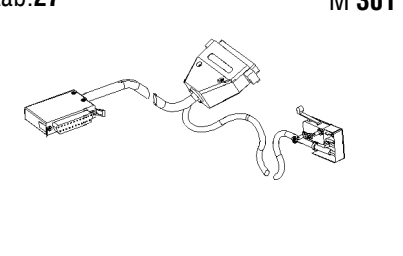
tab.14, M 820


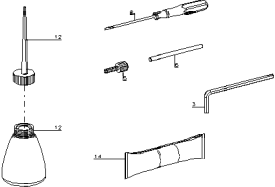
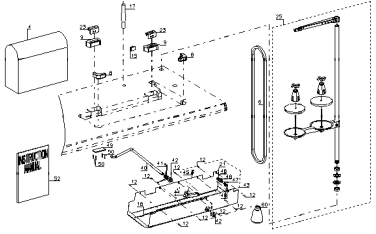
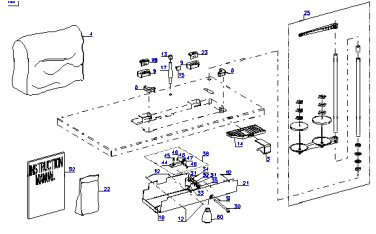
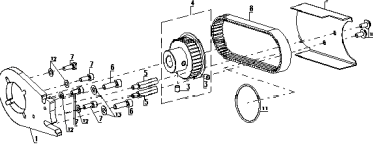
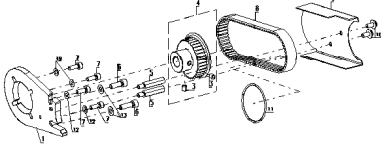
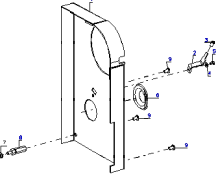
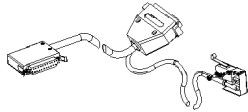
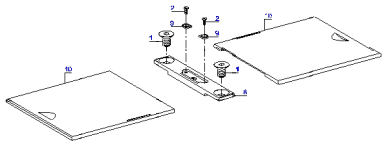

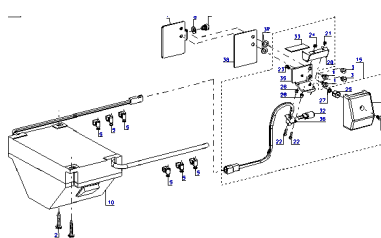
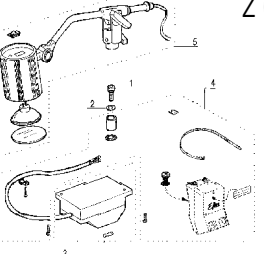
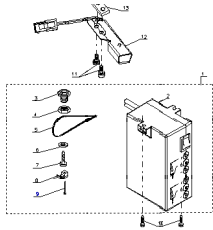
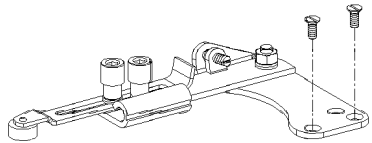
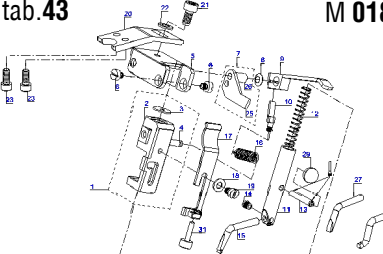
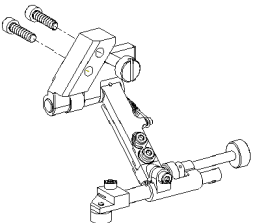
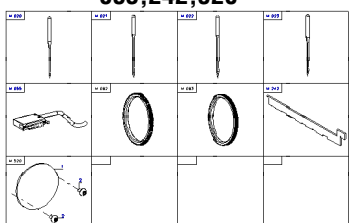
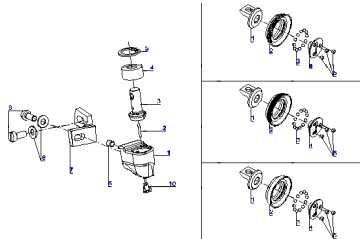
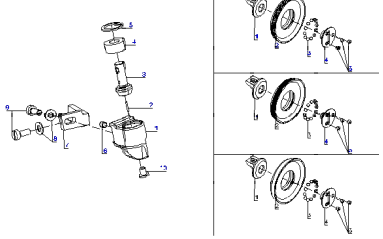
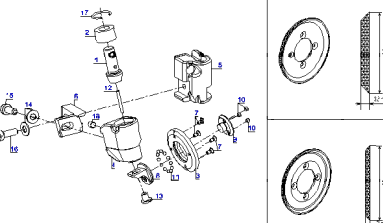
tab.37, M 081

tab.30, M 179

tab.31, M 255

tab.25, M 070

<p>tab.1 M 501</p> 	<p>tab.2 M 502</p> 	<p>tab.3 M 513</p> 	<p>tab.4 M 566</p> 	<p>tab.5 M 075</p> 
<p>tab.6 M 508</p> 	<p>tab.7 M 086</p> 	<p>tab.8 M 564</p> 	<p>tab.9 M 523</p> 	<p>tab.10 M 524</p> 
<p>tab.11 M 514</p> 	<p>tab.12 M 087</p> 	<p>tab.14 M 820</p> 	<p>tab.15 M 552</p> 	<p>tab.16 M 084</p> 
<p>tab.17 M 519</p> 	<p>tab.18 M 249</p> 	<p>tab.19 M 521</p> 	<p>tab.20 M 008</p> 	<p>tab.21 M 063</p> 
<p>tab.23 M 265</p> 	<p>tab.24 M 267</p> 	<p>tab.25 M 070</p> 	<p>tab.26 M 163</p> 	<p>tab.27 M 301</p> 

<p>tab.28 M 325</p> 	<p>tab.29 M 015</p> 	<p>tab.30 M 179</p> 	<p>tab.31 M 255</p> 	<p>tab.32 M 300</p> 
<p>tab.33 M 556</p> 	<p>tab.34 M 561</p> 	<p>tab.35 M 558</p> 	<p>tab.37 M 081</p> 	<p>tab.38 M 101,102,103,104</p> 
<p>tab.39 M 010</p> 	<p>tab.40 Z 012</p> 	<p>tab.41 M 586</p> 	<p>tab.42 M 198</p> 	<p>tab.43 M 018</p> 
<p>tab.44 M 149</p> 	<p>tab.45 M 020,023,021,022,055,082,083,242,520</p> 	<p>tab.46 M 156,172,174,310</p> 	<p>tab.47 M 157,173,175,311</p> 	<p>tab.48 M 295,296,297</p> 
<p> </p>	<p> </p>	<p> </p>	<p> </p>	<p> </p>

## How to read the spare parts list :

- The list is grouped according to construction modules. A module is a group of parts fulfilling in the machine a concrete function. The abbreviated module designation is given in the left top corner both of the drawing and of the text. The complete module designation (as given in the delivery note) is related to the abbreviated designation as follows:

Abbreviated                      Complete  
M XXX                      =              S980 000XXX


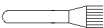
Items in the order are presented under complete code (ten-digit number)

- This catalogue is common for a number of machine models whose type designation agrees with the first five digits printed on the catalogue cover. The complete type designation of the machine is then used for identifying the modules (lists of parts) mounted on the machine in question.

The complete type designation has the following structure:

XXXX              -              XXX              -              XXX  
Class                      Subclass              Sewing category

The contents is divided into sections corresponding to this structure. A table situated at the head of each section gives information on which modules are applied to a particular machine model. The machine class and subclass are printed on the label situated on the machine bed plate and visible with tilted machine head. The sewing category is indicated on the tag supplied together with the machine.

- All items, the complete code (ten-digit number) of which are presented in the tables there is possible to order as spare parts.
- The symbol  shows that the part is to be lubricated by grease (used for the machine assembly).
- The symbol  shows that the part is glued (used for the machine assembly).

Parts marked in the drawings with the symbol \* and with the remark \* SPARE PARTS SUPPLIED WITH THE MACHINE are attached with head of machine.

## CONTENTS :

### Modules of machine head and of enclosed accessories

Abbreviated module No.	Ordering (complete) module No.	Denomination	Table No.
<b>Class</b> (modules identical for all subclasses)			
M 501		Machine arm	1
M 502		Bed plate	2
M 513		Needle and thread mechanism	3
M 566		Thread tensioner plate	4
M 075		Hook box	5
M 508		Needle feeding	6
M 086		Guide of lower wheel feed	7
M 564		Top roller drive	8
M 523		Hook lubrication	9
M 524		Lower feed wheel	10
M 514		Lubrication	11
M 087		Universal part group for flat bed machines	12
<b>Subclass</b>			
-		Table of subclasses	13
M 820		Sewing hook	14
M 552	S980 000552	Electromagnetically controlled top roller lifting	15
M 084	S980 000084	Thread trimmer	16
M 519	S980 000519	Thread trimmer drive	17
M 249	S980 000249	Electromagnetically controlled backtacking	18
M 521	S980 000521	Push-button panel	19
M 008	S980 000008	Electrical switch board	20
M 520	S980 000520	Parts for machine without trimming	45
M 063	S980 000063	Upper thread brake	21

Abbreviated module No.	Ordering (complete) module No.	Denomination	Table No.
<b>Parts sets</b>			
-		Table of parts sets	22
	1100 001000	Parts set for V-belt drive ( clutch motor)	22
	1100 007000	Parts set for V-belt drive ( stopmotor EFKA)	22
	1100 007100	Parts set for V-belt drive ( without stopmotor)	22
	1100 009000	Parts set for indented belt drive (minimotor EFKA 1:1)	22
	1100 009100	Parts set for indented belt drive (without minimotor 1:1) *	22
	1100 009001	Parts set for indented belt drive (minimotor EFKA 1:1.4)	22
	1100 009101	Parts set for indented belt drive (without minimotor 1:1.4)*	22
	1100 009200	Parts set for indented belt drive (minimotor HOHSING 1:1)	22
	1100 009201	Parts set for indented belt drive (minimotor HOHSING 1:1.4)	22
<b>Sewing equipment</b>			
-		Table of sewing equipment	36
	1180 E50100	Sewing set for needles 60-80 class 100	36
	1180 E50200	Sewing set for needles 80-110 class 200	36
	1180 E50300	Sewing set for needles 110-140 class 300	36
	1180 E50400	Sewing set for needles 160-180 class 400	36
<b>Optional equipments</b>			
M 010	S980 000010	Lighting	39
Z 012	S794 222012	Lighting halogen (12 V, 20 W - contains transformer)	40
M 586	S980 000586	Lighting LED	41
M 198	S980 000198	Sewn work guide	42
M 018	S980 000018	Sewn work guide	43
M 149	S980 000149	Sewn work guide	44
M 242	S980 000242	Adjustable gauge	45
M 326	S980 000326	Top roller ø 25 mm cpl. (contain M 156,M 172)	46
M 327	S980 000327	Top roller ø 25 mm rubber coated cpl. (contain M 156,M 174)	46
M 328	S980 000328	Top roller ø 25 mm smooth cpl. (contain M 156,M 310)	46
M 329	S980 000329	Top roller ø 35 mm cpl. (contain M 157,M 173)	47
M 330	S980 000330	Top roller ø 35 mm rubber coated cpl. (contain M 157,M 175)	47
M 331	S980 000331	Top roller ø 35 mm smooth cpl. (contain M 157,M 311)	47
M 332	S980 000332	Top roller ø 45 mm, width 2.0 mm cpl. (contain M 295,M 296)	48
M 333	S980 000333	Top roller ø 45 mm, width 3.8 mm cpl. (contain M 295,M 297)	48

\*Delivery is possible with another minimotor.

**Table of subclasses machines and remove modules**

	Module												
	Sewing hook	Electrical switch board	Electromagnetically controlled top roller lifting	Thread trimmer	Set of parts	Thread trimmer drive	Electromagnetically controlled backtacking	Push-button panel	Upper thread brake				
Classe-subclasse	<b>M 820</b>	<b>M 008</b>	<b>M 552</b>	<b>M 084</b>	<b>M 520</b>	<b>M 519</b>	<b>M 249</b>	<b>M 521</b>	<b>M 063</b>				
1180i - 511	•				•				•				
1180i - 547	•	•	•	•		•	•	•	•				

**Table of parts sets**

(delivered with head of sewing machine)

Parts set	Cover of belt	Knee lever	Connecting cable	Standard accessories	Special accessories	Set for mini-stop
1100 001000	<b>M 265</b> tab.23	<b>M 070</b> tab.25		<b>M 015</b> tab.29	<b>M 179</b> tab.30	
1100 007000	<b>M 265</b> tab.23	<b>M 070</b> tab.25	<b>M 163</b> tab.26	<b>M 015</b> tab.29	<b>M 179</b> tab.30	
1100 007100	<b>M 265</b> tab.23	<b>M 070</b> tab.25	<b>M 055</b> tab.45	<b>M 015</b> tab.29	<b>M 179</b> tab.30	
1100 009000	<b>M 267</b> tab.24	<b>M 070</b> tab.25	<b>M 301</b> tab.27	<b>M 015</b> tab.29	<b>M 255</b> tab.31	<b>M 300</b> tab.32
1100 009100	<b>M 267</b> tab.24	<b>M 070</b> tab.25	<b>M 325</b> tab.28	<b>M 015</b> tab.29	<b>M 255</b> tab.31	<b>M 300</b> tab.32
1100 009001	<b>M 561</b> tab.34	<b>M 070</b> tab.25	<b>M 301</b> tab.27	<b>M 015</b> tab.29	<b>M 255</b> tab.31	<b>M 556</b> tab.33
1100 009101	<b>M 561</b> tab.34	<b>M 070</b> tab.25	<b>M 325</b> tab.28	<b>M 015</b> tab.29	<b>M 255</b> tab.31	<b>M 556</b> tab.33
1100 009200	<b>M 267</b> tab.24	<b>M 070</b> tab.25	<b>M 558</b> tab.35	<b>M 015</b> tab.29	<b>M 255</b> tab.31	<b>M 300</b> tab.32
1100 009201	<b>M 561</b> tab.34	<b>M 070</b> tab.25	<b>M 558</b> tab.35	<b>M 015</b> tab.29	<b>M 255</b> tab.31	<b>M 556</b> tab.33

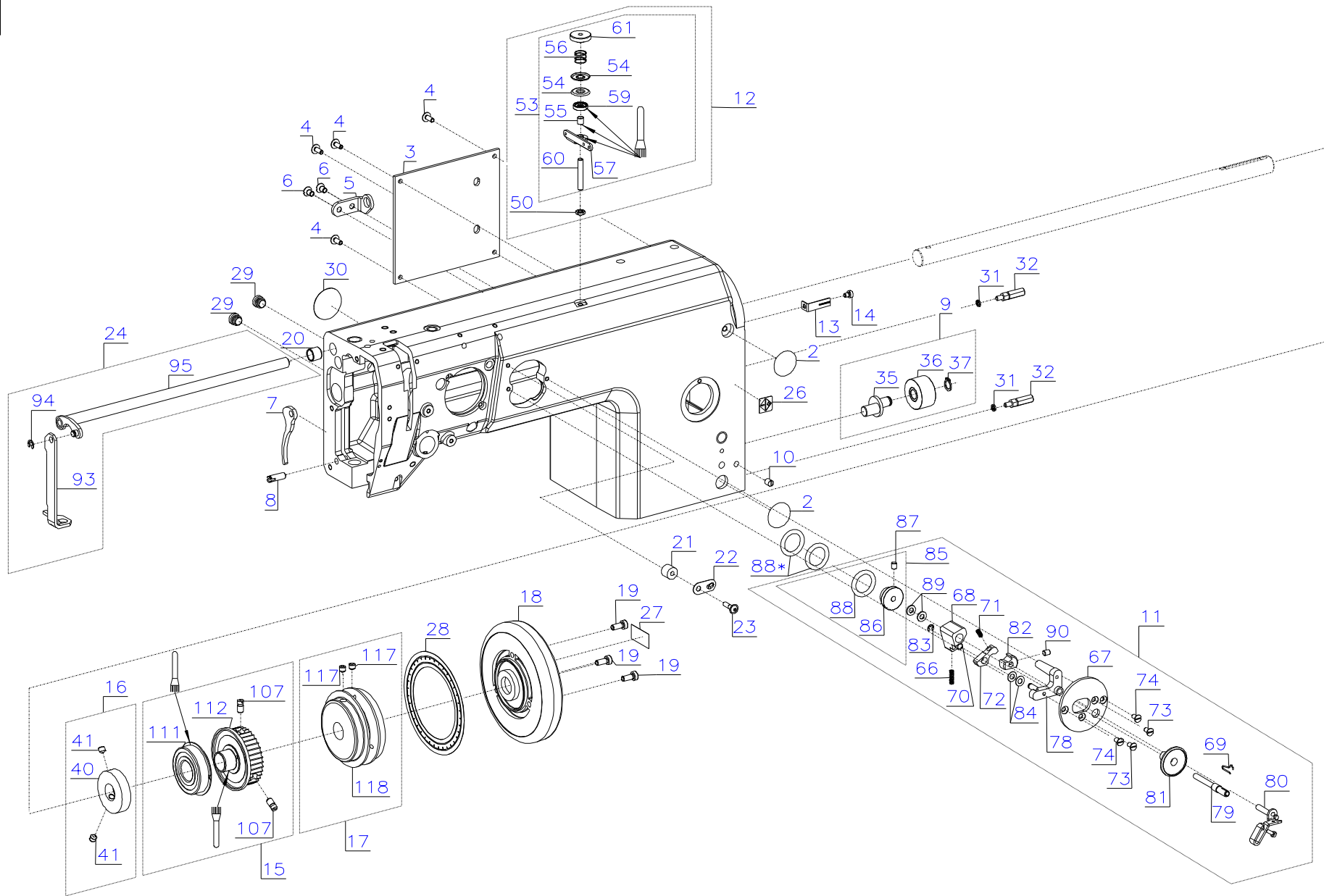


Table of sewing equipment

Standard sewing equipment 1180i - 5

Class, subclass, sewing category	Equipment No.	Sewing material																		
			Distance between seams	Throat plate cpl.	Throat plate insert	Needle aperture (mm)	Feed dog	Feed wheel	Driven top roller	Holder for the top roller	Top roller diameter by width (mm)	Flat presser foot	Needle *	Needle system and No.	Front needle guide	Rear needle guide	Left-side needle guide washer	Right-side needle guide washer	Lower cutter of sewn material	Upper cutter of sewn material
1180i-5XX-100	1180 E50100	light L		M 081 tab.37	M 101 tab.38	1,2			M 083 tab.45	M 173 tab.48	M 157 tab.48	ø 35 x 3,8		M 020 tab.45	134 LR - 80					
1180i-5XX-200	1180 E50200	medium M		M 081 tab.37	M 102 tab.38	1,5			M 083 tab.45	M 173 tab.48	M 157 tab.48	ø 35 x 3,8		M 023 tab.45	134 LR - 100					
1180i-5XX-300	1180 E50300	medium-heavy M - H		M 081 tab.37	M 103 tab.38	2			M 083 tab.45	M 173 tab.48	M 157 tab.48	ø 35 x 3,8		M 021 tab.45	134 KCLR - 130					
1180i-5XX-400	1180 E50400	heavy H		M 081 tab.37	M 104 tab.38	2,4			M 082 tab.45	M 173 tab.48	M 157 tab.48	ø 35 x 3,8		M 022 tab.45	134 KCLR - 160					

\* Needles are not supplied.



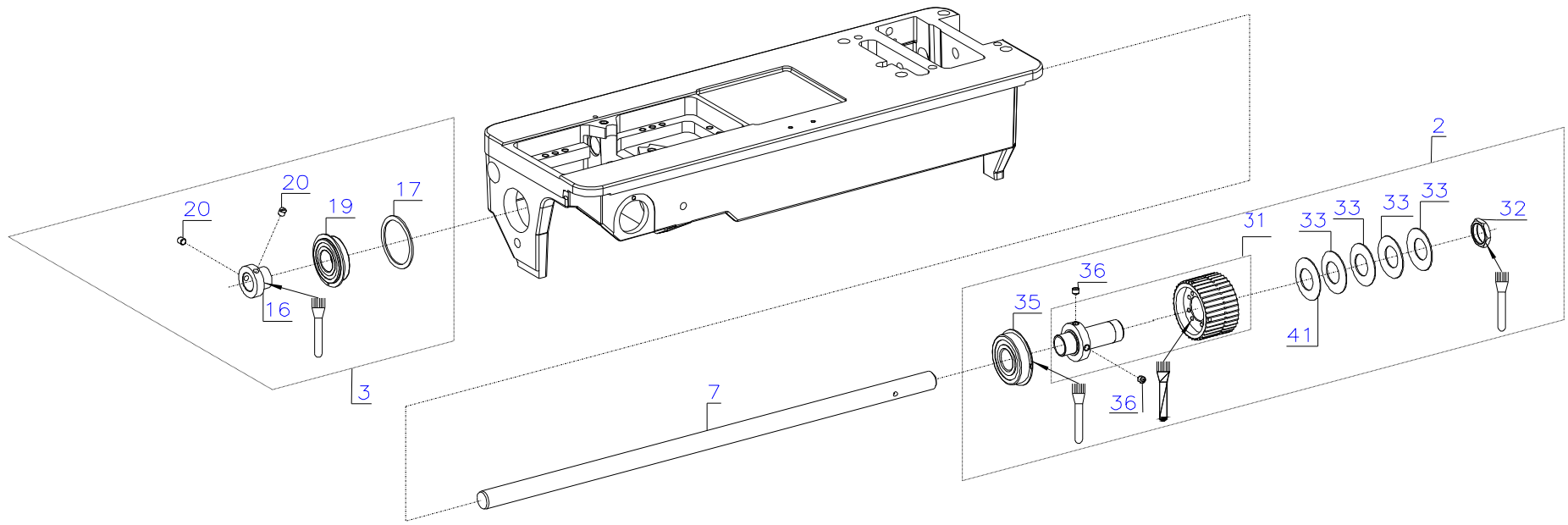
\* SPARE PARTS SUPLIED WITH THE MACHINE

## M 501

Pos. Det.	Díllec č. Part No.	Název	Denomination
2	S321 000000	ZÁTKA	PLUG
3	S080 831665	KRYT ZADNÍ	COVER BACK
4	9202 002077	ŠROUB	SCREW
5	S080 836476	KONZOLA	CONSOLE
6	S080 126102	ŠROUB M5 x 8	SCREW M5 x 8
7	S080 615021	ZVEDACÍ PÁKA	LIFTING LEVER
8	S080 310468	KOLÍK	PIN
9	S981 043510	NAPÍNAČÍ KLADKA ÚPL.	TENSION ROLLER CPL.
10	0244 000700	ŠROUB	SCREW
11	S981 036164	NAVÍJEČ	WINDER
12	S981 025290	VODIČ	GUIDE
13	S080 836485	ŠÍPKA	ARROW
14	S309 738406	ŠROUB M4 x 6	SCREW M4 x 6
15	S981 045586	PASOVÉ KOLO ÚPLNÉ	BELT WHEEL CPL.
16	S981 045572	KOLO NAVÍJEČE ÚPLNÉ	WHEEL OF WINDER CPL.
17	S981 045570	ŘEMENICE ÚPLNÁ	PULLEY CPL.
18	S980 027610	RUČNÍ KOLO	HAND WHEEL
19	S309 798511	ŠROUB	SCREW
20	S323 007065	LOŽISKO KU 1010	BEARING KU 1010
21	S080 190707	DISTANČNÍ KROUŽEK	DISTANCE RING
22	0271 000260	Nůž	KNIFE
23	S309 000416	ŠROUB	SCREW
24	S981 043496	ZVEDACÍ HRÍDEL	LIFTING SHAFT
26	S080 955135	ŠTÍTEK KNOFLÍKU DÉLKY STEHU	LABEL RELATED TO STITCH LENGHT REGULATION KNOB
27	S080 955132	ŠÍPKA SMĚRU OTÁČENÍ	ARROW OF ROTATION SENSE
28	S735 955136	STUPNICE RUČNÍHO KOLA	HAND WHEEL SCALE
29	S321 001000	ZÁTKA PE	PLUG
30	S735 953288	ŠTÍTEK	LABEL
31	S080 191120	PODLOŽKA	WASHER
32	S080 146058	ŠROUB	SCREW
35		VIZ POS. 9	SEE 9
36		VIZ POS. 9	SEE 9
37	9352 000090	POJ. KROUŽEK	RETAINING RING
40		VIZ POS. 16	SEE 16
41	0244 000700	ŠROUB	SCREW
50	S080 161138	MATICE	NUT
53	0221 110154	VODIČ ÚPLNÝ	GUIDE CPL.
54	0037 001280	PODLOŽKA NAPÍNAČE	WASHER OF TENSIONER
55		VIZ POS. 12	SEE 12
56	0396 110470	PRUŽINA	SPRING
57		VIZ POS. 12	SEE 12
59		VIZ POS. 12	SEE 12
60		VIZ POS. 12	SEE 12
61	0993 411208	RÝH. MATICE	KNURLED NUT
66	0067 320150	PRUŽINA	SPRING
67		VIZ POS. 11	SEE 11
68		VIZ POS. 11	SEE 11
69	0367 170040	PRUŽINA	SPRING
70	0396 170060	POUZDRO	CASE
71	0396 170080	PRUŽINA	SPRING
72		VIZ POS. 11	SEE 11
73	9225 201740	ŠROUB M4 x 6	SCREW
74	0993 031357	ŠROUB M4 x 8	SCREW
78	0268 170063	TĚLESO NAVÍJEČE	BODY OF WINDER
79	S981 043503	HRÍDEL ÚPLNÁ	SHAFT CPL.
80	0268 170103	PÁKA ÚPLNÁ	LEVER CPL.
81		VIZ POS. 11	SEE 11

TAB. 1

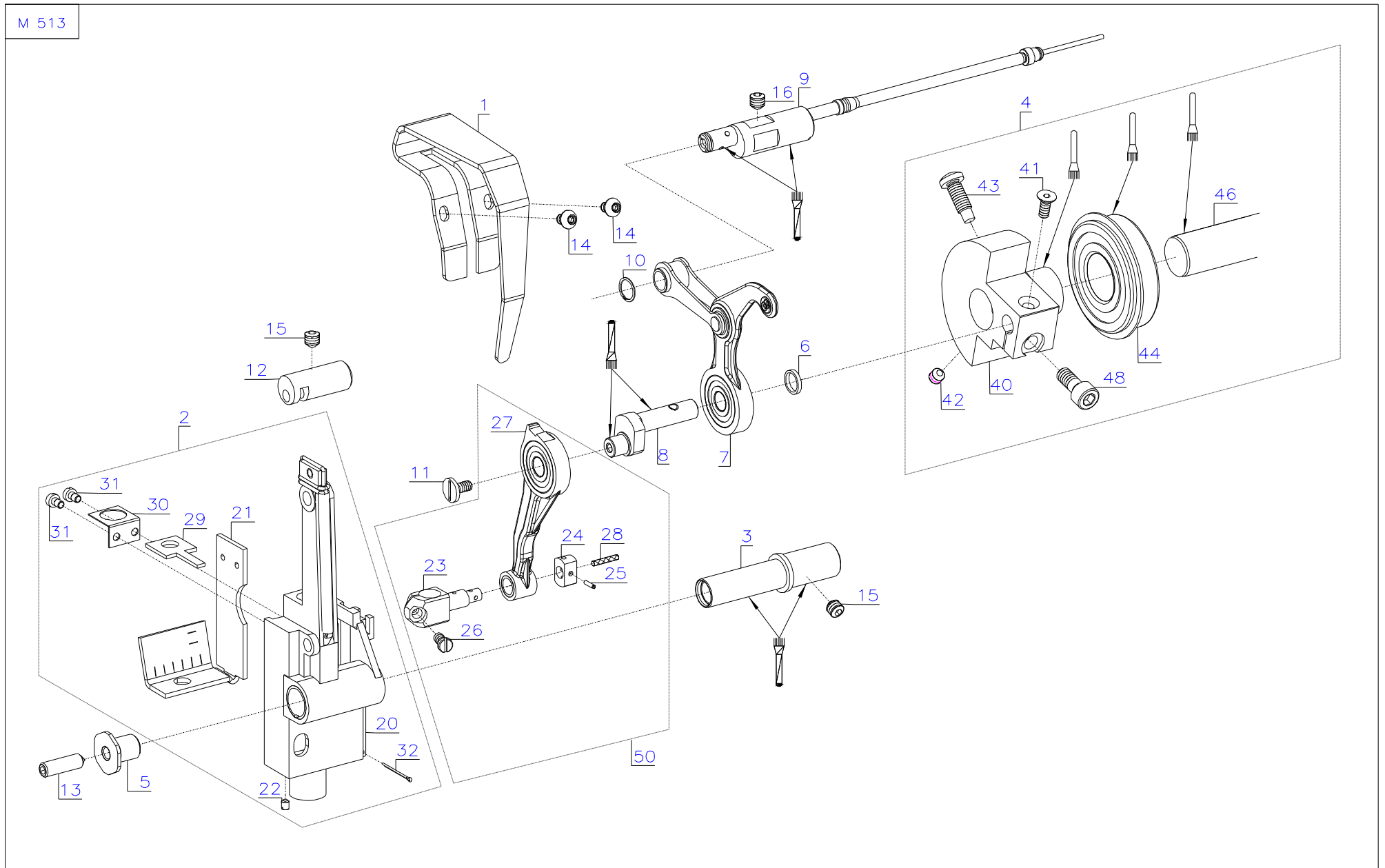
Pos. Det.	Díllec č. Part No.	Název	Denomination
82		VIZ POS. 11	SEE 11
83	9357 000050	PODLOŽKA	WASHER
84		VIZ POS. 11	SEE 11
85	0367 170083	KOLO NAVÍJEČE	WHEEL OF WINDER
86		VIZ POS. 11	SEE 11
87	9205 102168	ŠROUB M5 x 6	SCREW M5 x 6
88	0998 861590	O-KROUŽEK	O-RING
89		VIZ POS. 11	SEE 11
90	0993 060967	ŠROUB	SCREW
93	S080 839312	ZVEDACÍ PLECH	LIFTING SHEET
94	S311 732050	POJ. KROUŽEK	RETAINING RING
95	S980 060175	PÁKA	LEVER
107	0244 000700	ŠROUB	SCREW
111		VIZ POS. 15	SEE 15
112		VIZ POS. 15	SEE 15
117	0244 000700	ŠROUB	SCREW
118		VIZ POS. 17	SEE 17



## M 502

Pos. Det.	Dílec č. Part No.	Název	Denomination
2	S981 045573	POJISTNÁ SPOJKA ÚPLNÁ	SAFETY CLUTCH CPL.
3	S981 052036	LOŽISKO ÚPLNÉ	BEARING CPL.
7	S080 341261	SPODNÍ HRÍDEL	LOWER SHAFT
16		VIZ POS. 3	SEE 3
17		VIZ POS. 3	SEE 3
19		VIZ POS. 3	SEE 3
20	S080 111343	ŠROUB	SCREW
31	S980 045574	OZUBENÁ REMENICE	TOOTHED WHEEL
32	S080 161339	MATICE	NUT
33	S080 420010	TALÍŘOVÁ PRUŽINA	WASHER SPRING
35	S324 049910	LOŽISKO ÚPLNÉ	BEARING CPL.
36	0244 000700	ŠROUB	SCREW
41	S311 988232	TALÍŘOVÁ PRUŽINA	WASHER SPRING

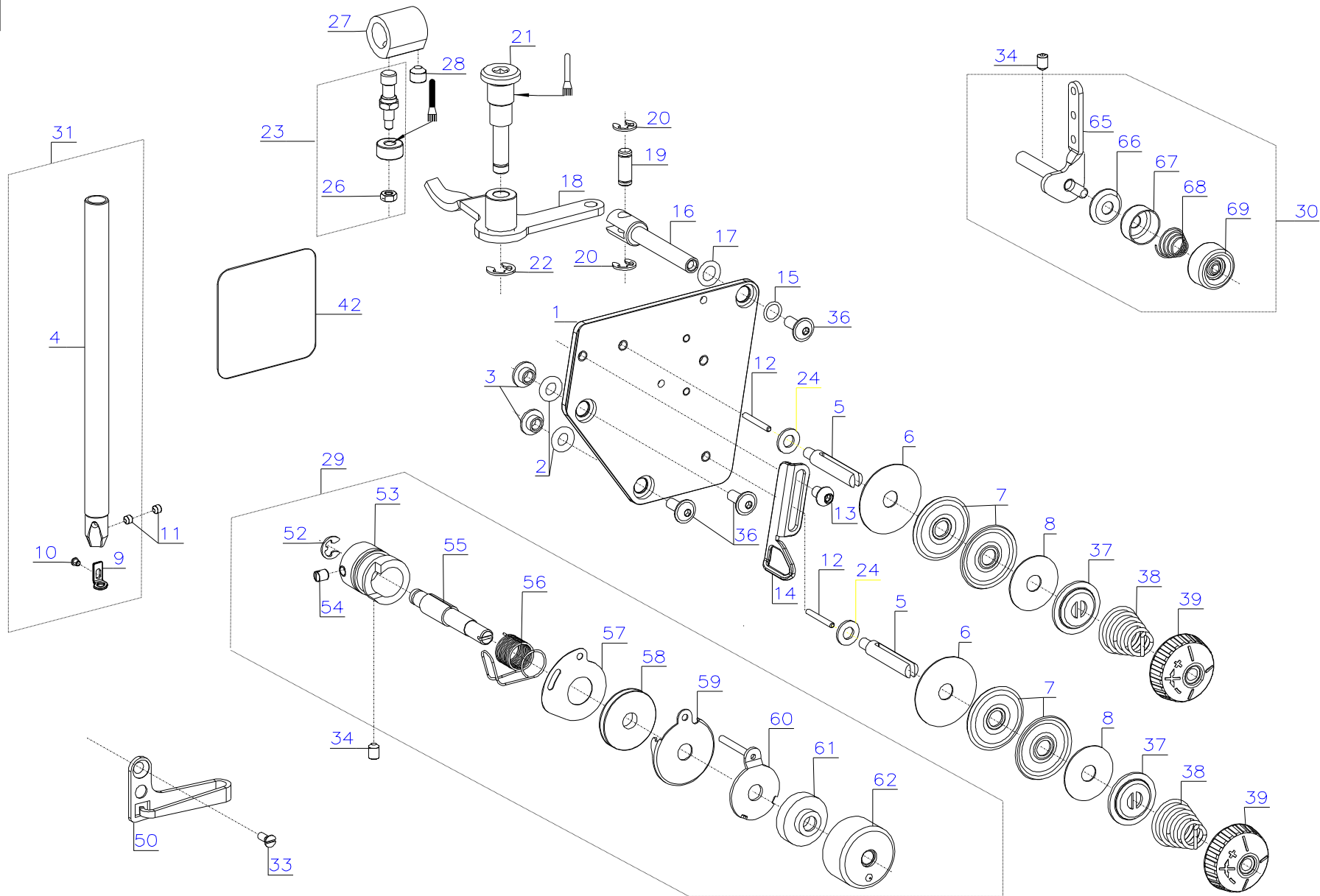
Pos. Det.	Dílec č. Part No.	Název	Denomination
--------------	----------------------	-------	--------------



## M 513

Pos. Det.	Dílce č. Part No.	Název	Denomination
1	S080 831666	KRYT	COVER
2	S981 021403	DRŽÁK JEHELNÍ TYČE	HOLDER OF NEEDLE BAR
3	S080 330134	ČEP	PIN
4	S981 052076	HLAVA KLIKY ÚPLNÁ	HEAD OF CRANK CPL.
5	S080 146063	ŠROUB	SCREW
6	S080 410680	KROUŽEK	RING
7	S980 021396	NIŤOVÁ PÁKA ÚPLNÁ	TAKE UP LEVER CPL.
8	S080 338229	KLIKA	CRANK
9	S980 025305	VÝSTŘEDNÍK ÚPLNÝ	ECCENTRIC CPL.
10	9352 000082	POJ. KROUŽEK	RETAINING RING
11	S080 153045	ŠROUB	SCREW
12	S080 328235	ČEP	PIN
13	S309 791616	ŠROUB	SCREW
14	S309 738406	ŠROUB	SCREW
15	0244 000700	ŠROUB	SCREW
16	9205 102473	ŠROUB	SCREW
20		VIZ POS. 2	SEE 2
21		VIZ POS. 2	SEE 2
22	S080 111223	ŠROUB	SCREW
23		VIZ POS. 50	SEE 50
24		VIZ POS. 50	SEE 50
25	S311 515091	KOLÍK 1,6 x 6	PIN 1.6 x 6
26	S080 124050	ŠROUB	SCREW
27		VIZ POS. 50	SEE 50
28		VIZ POS. 50	SEE 50
29		VIZ POS. 2	SEE 2
30	S080 826403	PŘÍCHYTKA	CLIP
31	S080 120367	ŠROUB	SCREW
32	S311 318016	ZÁVLAČKA	SPLIT PIN
40		VIZ POS. 4	SEE 4
41	S311 799410	ŠROUB M4 x 10	SCREW M4 x 10
42	0244 000700	ŠROUB	SCREW
43	S080 138009	ŠROUB	SCREW
44		VIZ POS. 4	SEE 4
46		VIZ POS. 4	SEE 4
48	S080 120295	ŠROUB	SCREW
50	S981 021405	OJNICE ÚPLNÁ	ROD CPL.

Pos. Det.	Dílce č. Part No.	Název	Denomination
--------------	----------------------	-------	--------------

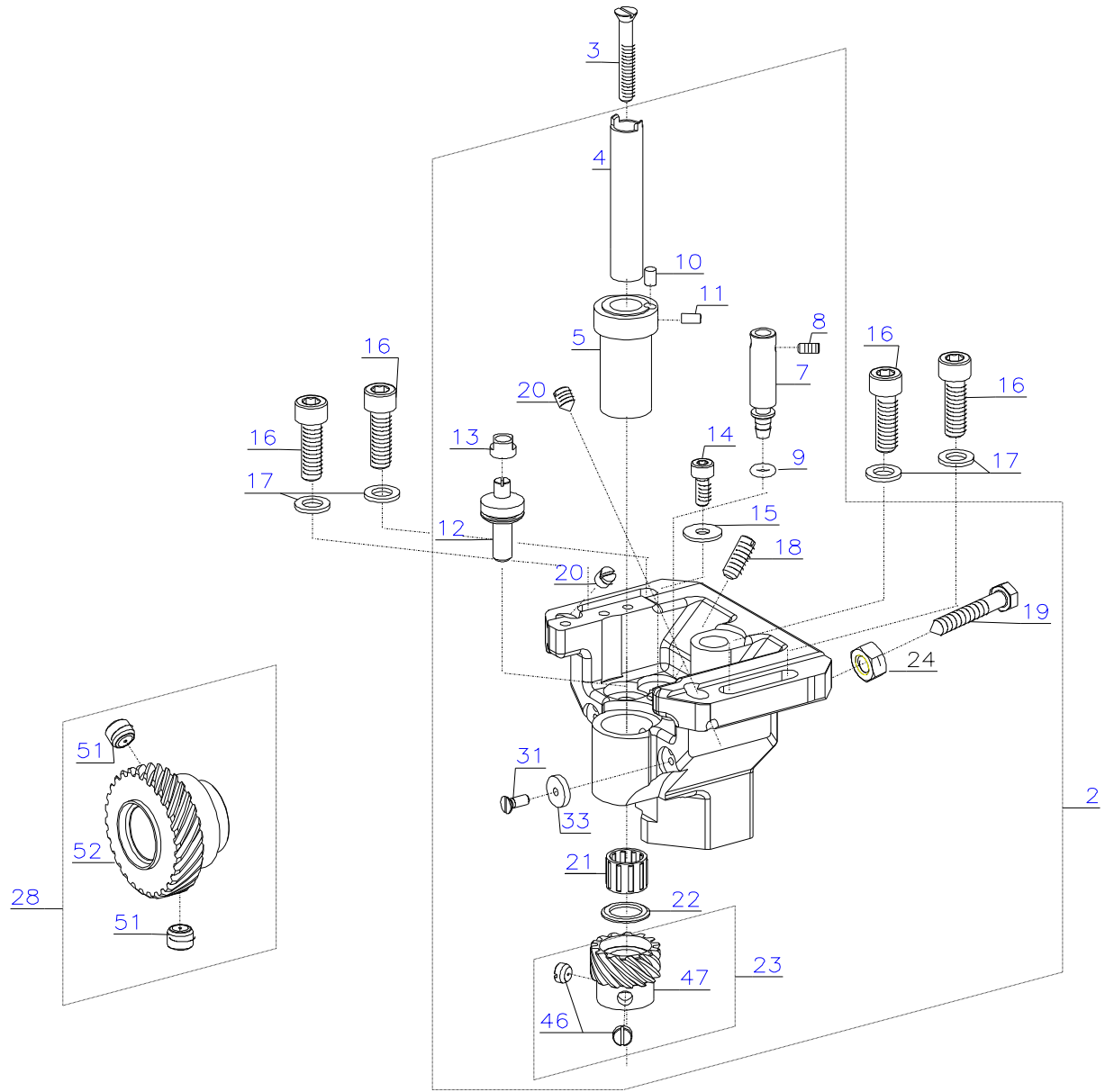




## M 566

Pos. Det.	Díllec č. Part No.	Název	Denomination
1	S080 826404	DESKA	PLATE
2	S273 005025	KROUŽEK	RING
3	S080 425329	POUZDRO	CASE
4		VIZ POS. 31	SEE 31
5	0367 110120	NAPÍNAČÍ ČEP	TENSION PIN
6	S321 941159	PODLOŽKA	WASHER
7	0467 110220	MISKA NAPÍNAČE	DISH OF TENSIONER
8	S321 941158	PODLOŽKA	WASHER
9	S080 821059	VODIČ NITĚ	THREAD GUIDE
10	S080 124052	ŠROUB	SCREW
11	S080 120049	ŠROUB	SCREW
12	S080 310478	KOLÍK	PIN
13	S309 738406	ŠROUB	SCREW
14	S080 821181	VODIČ	GUIDE
15	S273 001000	O-KROUŽEK	O-RING
16	S080 318256	ČEP	PIN
17	0265 000911	O-KROUŽEK	O-RING
18	S980 047280	PÁKA ÚPLNÁ	LEVER CPL.
19	S080 323203	ČEP	PIN
20	S311 732032	POJ. KROUŽEK	RETAINING RING
21	S080 142027	ŠROUB	SCREW
22	S311 732050	POJ. KROUŽEK	RETAINING RING
23	S981 060243	KLADKA ÚPLNÁ	ROLLER CPL.
24	S080 190709	PODLOŽKA	WASHER
26	9234 000057	MATICE	NUT
27	S080 436457	STAVĚCÍ KROUŽEK	REGULATING RING
28	0244 000700	ŠROUB	SCREW
29	0367 110164	NAPÍNAČ NITĚ ÚPLNÝ	TENSIONER COMPLET CPL.
30	0271 001391	VODIČ ÚPLNÝ	GUIDE CPL.
31	S981 021399	JEHELNÍ TYČ ÚPLNÁ	NEEDLE BAR CPL.
33	S080 126073	ŠROUB	SCREW
34	9205 101868	ŠROUB	SCREW
36	S309 000410	ŠROUB	SCREW
37	0061 001050	PODLOŽKA	WASHER
38	0099 004800	PRUŽINA	SPRING
39	0271 000238	MATICE	NUT
42	S735 955141	SAMOLEPKA	LABEL
50	S080 821110	VODIČ NITĚ	THREAD GUIDE
52	9357 000060	POJ. KROUŽEK	RETAINING RING
53	0367 110160	POUZDRO	CASE
54	0993 520940	ŠROUB	SCREW
55	0367 110170	ČEP	PIN
56	0068 004910	PRUŽINA	SPRING
57	0367 110350	PODLOŽKA	WASHER
58	0367 110340	ROLNA	ROLLER
59	0367 110360	PODLOŽKA	WASHER
60	0367 110183	PODLOŽKA ÚPLNÁ	WASHER CPL.
61	0367 110290	POUZDRO	CASE
62	0381 110043	MATICE	NUT
65	0271 001392	VODIČ NITĚ	THREAD GUIDE
66	0244 000415	OBJÍMKA	SLEEVE
67	0244 000414	OBJÍMKA	SLEEVE
68	0271 001397	PRUŽINA	SPRING
69	0271 001398	RÝHOVÁ MATICE	MILLED NUT

Pos. Det.	Díllec č. Part No.	Název	Denomination
--------------	-----------------------	-------	--------------

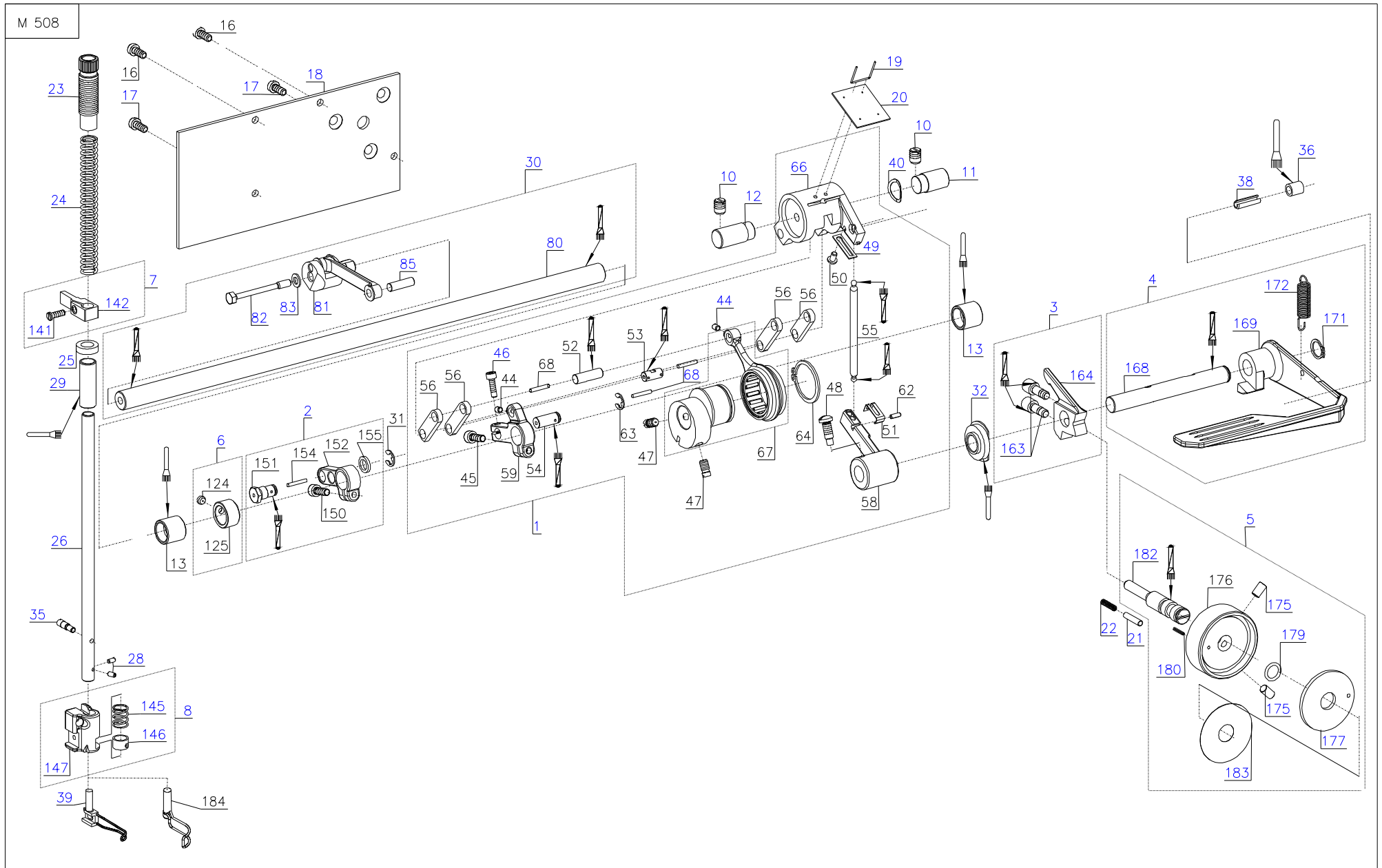


## M 075

Pos. Det.	Dílce č. Part No.	Název	Denomination
2	S981 023159	NOSIČ CHAPAČE	POST BED FOR SEWING HOOK
3	S080 126178	ŠROUB	SCREW
4	S080 345089	HŘIDEL	SHAFT
5	S080 426096	POUZDRO	CASE
7	S080 346078	MAZACÍ TRUBKA	LUBRICATING TUBE
8	S080 110105	ŠROUB	SCREW
9	S273 002001	O-KROUŽEK	O-RING
10	0002 008308 3335	MAZACÍ PLST	OIL FELT
11	S080 945379	MAZACÍ PLST	OIL FELT
12	S080 338232	ČEP	PIN
13	S080 452053	SMYKADLO	BLOCK
14	9202 002063	ŠROUB M4 x 10	SCREW M4 x 10
15	S311 212043	PODLOŽKA	WASHER
16	S080 120695	ŠROUB	SCREW
17	9330 200117	PODLOŽKA	WASHER
18	S309 281514	ŠROUB M5 x 16	SCREW M5 x 16
19	S080 141322	ŠROUB	SCREW
20	S080 112088	ŠROUB M5 x 8	SCREW M5 x 8
21	S324 512910	LOŽISKO	BEARING
22	S080 190681	PODLOŽKA	WASHER
23	S981 045550	OZUBENÉ KOLO ÚPLNÉ	TOOTHED WHEEL CPL.
24	9231 110108	MATICE	NUT
28	S981 060189	OZUBENÉ KOLO ÚPLNÉ	TOOTHED WHEEL CPL.
31	S080 126078	ŠROUB M3 x 8	SCREW M3 x 8
32	S080 424164	KONCOVKA	TERMINAL
33	S080 945387	MAZACÍ PLST	OIL FELT
34		VIZ POS. 2	SEE 2
35		VIZ POS. 2	SEE 2
36		VIZ POS. 2	SEE 2
37	S273 001003	O-KROUŽEK	O-RING
46	S080 111375	ŠROUB	SCREW
47		VIZ POS. 23	SEE 23
51	S080 111376	ŠROUB	SCREW
52		VIZ POS. 28	SEE 28

Pos. Det.	Dílce č. Part No.	Název	Denomination

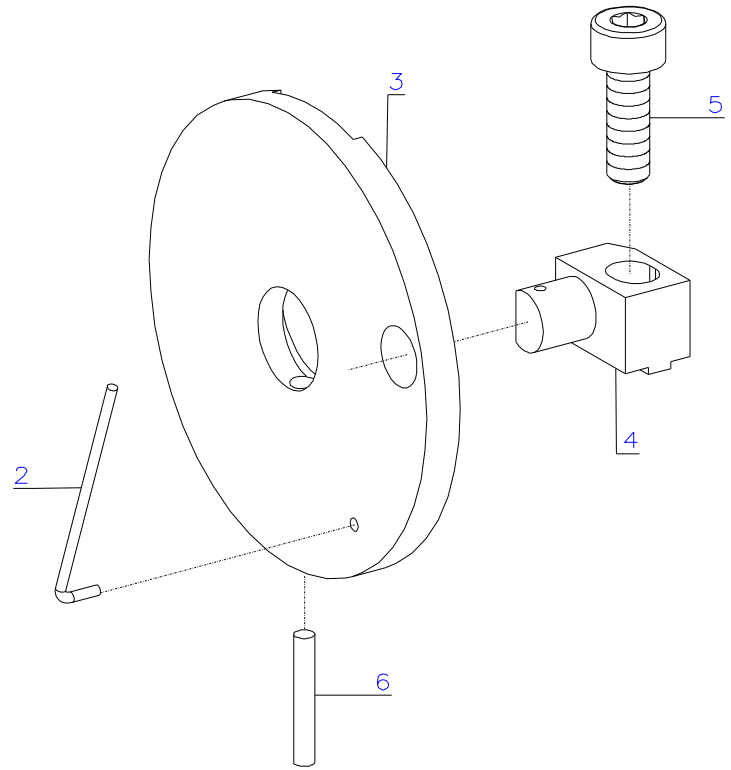
M 508



## M 508

Pos. Det.	Díllec č. Part No.	Název	Denomination
1	S981 022881	TRMEN-SESTAVA	STIRRUP-ASSEMBLY
2	S981 060226	PÁKA ÚPLNÁ	LEVER CPL.
3	S981 060193	VACKA ÚPLNÁ	CAM CPL
4	S981 060194	ZPÁTKOVACÍ PÁKA	BACKTACKING LEVER
5	S981 060195	KNOFLÍK ÚPLNÝ	BUTTON CPL.
6	S981 052044	STAVĚCÍ KROUŽEK ÚPLNÝ	REGULATING RING CPL.
7	S981 052049	VEDENÍ ÚPLNÉ	GUIDANCE CPL.
8	S981 052050	OBJÍMKA ÚPLNÁ	SLEEVE CPL.
10	S080 111379	ŠROUB	SCREW
11	S080 320342	ČEP	PIN
12	S080 328232	ČEP	PIN
13	S323 141816	POUZDRO	CASE
16	9202 002487	ŠROUB	SCREW
17	9202 002477	ŠROUB M5 x 10	SCREW M5 x 10
18	S080 831671	KRYT ZADNÍ	COVER BACK
19	S080 271544	SPONA	CLIP
20	S080 945397	MAZACÍ VLOŽKA	LUBRICATION INSERT
21	S080 324062	ČEP	PIN
22	S080 260604	PRUŽINA	SPRING
23	S080 156045	SERIZOVACÍ ŠROUB	SETTING-UP SCREW
24	S080 260602	PRUŽINA	SPRING
25	S080 943221	PODLOŽKA	WASHER
26	S080 392119	PŘÍTLAČNÁ TYČ	PRESSURE BAR
28	S080 111029	ŠROUB	SCREW
29	S080 412222	POUZDRO	CASE
30	S981 043511	HŘÍDEL ÚPLNÁ	BAR CPL.
31	S311 732060	POJ. KROUŽEK	RETAINING RING
32	S080 425322	POUZDRO	CASE
35	S080 135081	ŠROUB	SCREW
36	S283 068001	HADIČKA PVC OLEJ.	HOSE PVC OIL
38	S311 515055	KOLÍK 6 x 20	PIN 6 x 20
39	0688 320423	CHRÁNIČ PRSTŮ - 2 JEHLY	PROTECTOR OF FINGER GUARD - 2 NEEDLES
40	S080 281139	PRUŽINA	SPRING
44	S080 112115	ŠROUB M4 x 6	SCREW M4 x 6
45	S080 120364	ŠROUB M5 x 14	SCREW M5 x 14
46	9202 002088	ŠROUB	SCREW
47	0244 000700	ŠROUB	SCREW
48	S080 138009	ŠROUB	SCREW
49	S080 826402	PŘÍLOŽKA	SPLICE
50	S080 132112	ŠROUB	SCREW
51	S080 283176	PRUŽINA	SPRING
52		VIZ POS. 1	SEE 1
53		VIZ POS. 1	SEE 1
54		VIZ POS. 1	SEE 1
55	S080 352002	TÁHLO	ROD
56		VIZ POS. 1	SEE 1
58		VIZ POS. 1	SEE 1
59	S080 635299	PÁKA	LEVER
62		VIZ POS. 1	SEE 1
63	S311 732060	POJ. KROUŽEK	RETAINING RING
64	S311 733280	POJ. KROUŽEK	RETAINING RING
66		VIZ POS. 1	SEE 1
67	S980 060222	VÝSTŘEDNÍK S OJNICÍ	ECCENTRIC WITH ROD
68		VIZ POS. 1	SEE 1
80	S080 349219	HŘÍDEL	SHAFT

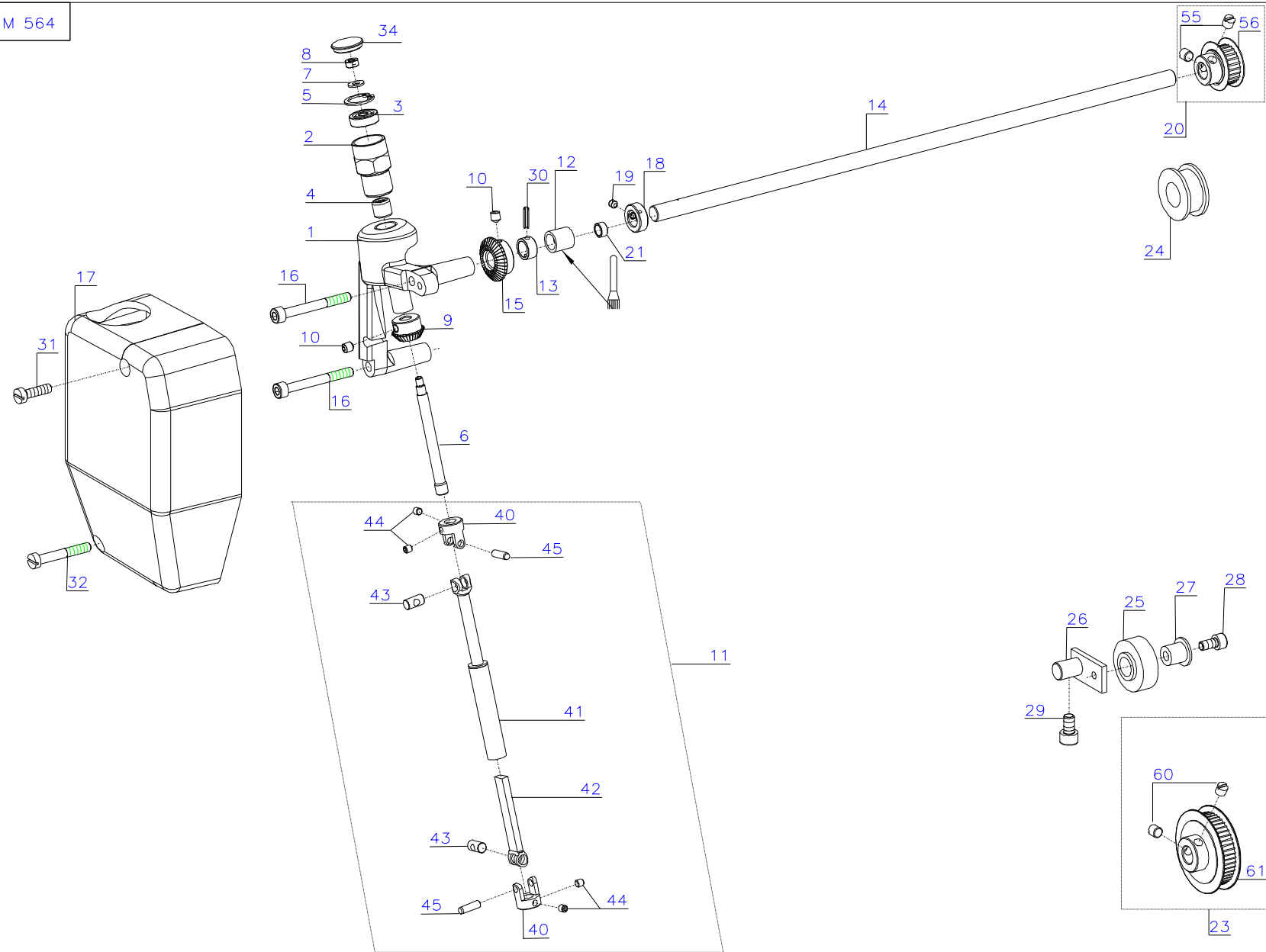
Pos. Det.	Díllec č. Part No.	Název	Denomination
81	S980 060230	PÁKA ÚPLNÁ	LEVER CPL.
82	S080 143049	ŠROUB	SCREW
83	S080 190359	PODLOŽKA	WASHER
85	S080 314270	ČEP	PIN
124	S080 111375	ŠROUB	SCREW
125	S080 436444	STAVĚCÍ KROUŽEK	REGULATING RING
141	S080 120543	ŠROUB	SCREW
142		VIZ POS. 7	SEE 7
145	S080 260606	PRUŽINA	SPRING
146	S080 436446	STAVĚCÍ KROUŽEK	REGULATING RING
147	S080 646472	OBJÍMKA DRŽÁKU	SLEEVE OF HOLDER
150	S080 120364	ŠROUB M5 x 4	SCREW M5 x 4
151	S080 331192	ČEP	PIN
152		VIZ POS. 2	SEE 2
154		VIZ POS. 2	SEE 2
155	S080 190706	PODLOŽKA	WASHER
163	S080 120705	ŠROUB	SCREW
164		VIZ POS. 3	SEE 3
168	S080 340203	HŘÍDEL	SHAFT
169	S080 621040	ZPÁTKOVACÍ PÁKA	BACKTACKING LEVER
171	S311 733120	POJ. KROUŽEK	RETAINING RING
172	S315 263276	PRUŽINA	SPRING
175	9205 102488	ŠROUB M6 x 10	SCREW M6 x 10
176	S080 233061	KNOFLÍK	BUTTON
177	S080 441687	KOTOUČ	DISK
179	S273 001002	O-KROUŽEK 9 x 2	O-RING 9 x 2
180	S311 515021	KOLÍK 2 x 10	PIN 2 x 10
182	S080 332172	ŠROUB	SCREW
183	S735 975184	SAMOLEPICÍ STÍTEK-STUPNICE	LABEL-SCALE
184	0888 320814	CHRÁNIČ PRSTŮ - 1 JEHLA	PROTECTOR OF FINGER GUARD - 1 NEEDLE



M 086

Pos. Det.	Dílce č. Part No.	Název	Denomination
2	S080 265040	PRUŽINA	SPRING
3	S080 442660	VEDENÍ PODAVAČE	GUIDE OF FEED DOG
4	S080 624048	ZÁVĚS	HANGER
5	S309 543411	ŠROUB M4 x 12	SCREW M4 x 12
6		VIZ POS. 1	SEE 1

Pos. Det.	Dílce č. Part No.	Název	Denomination
--------------	----------------------	-------	--------------

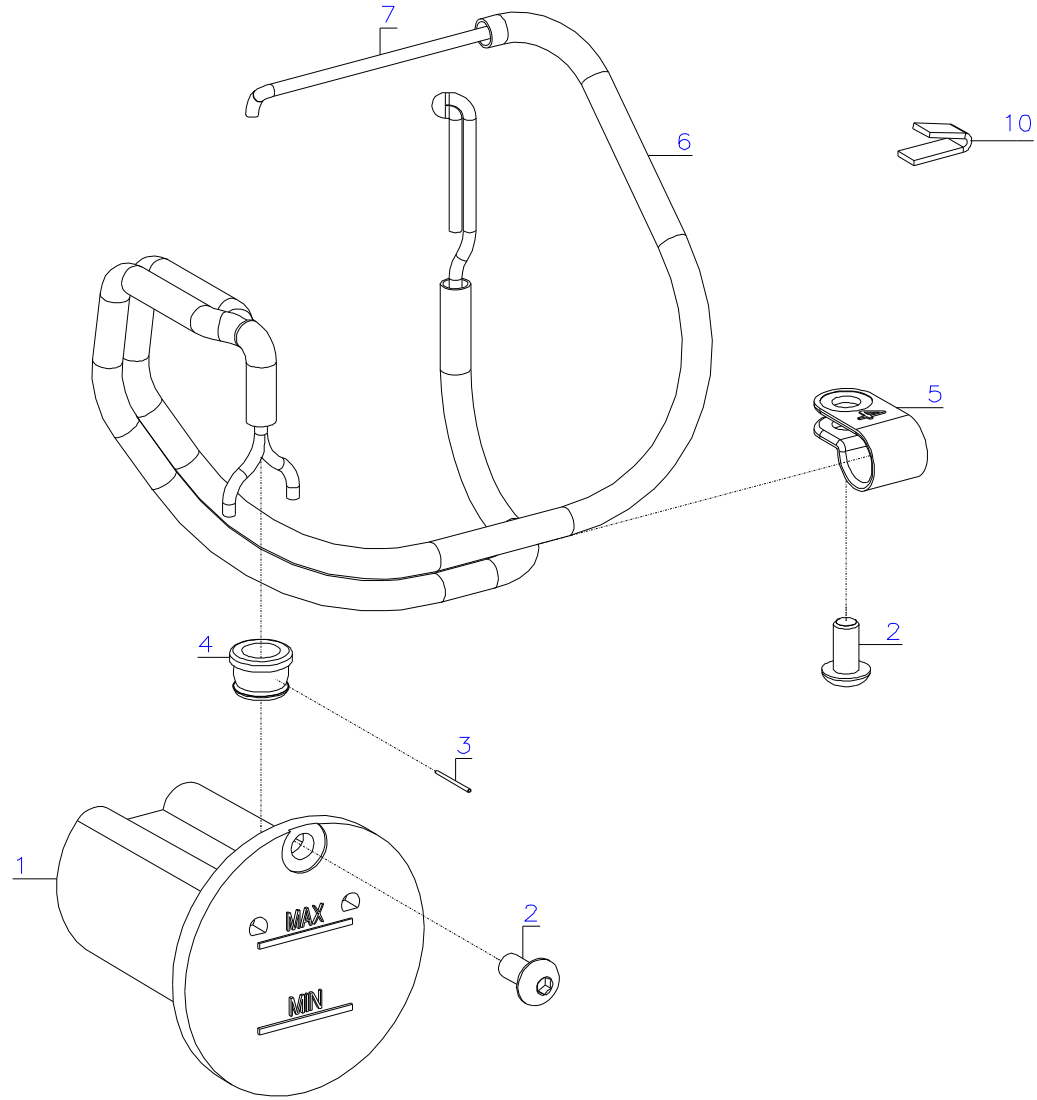




## M 564

Pos. Det.	Díllec č. Part No.	Název	Denomination
1	S080 744533	DRŽÁK VARIÁTORU	HOLDER
2	S080 156058	ŠROUB	SCREW
3	9120 030050	LOŽISKO	BEARING
4	S324 609110	LOŽISKO	BEARING
5	S311 733161	POJ. KROUŽEK	RETAINING RING
6	S080 342345	HŘÍDEL	BAR
7	9330 200097	PODLOŽKA	WASHER
8	S080 161144	MATICE	NUT
9	S080 562120	PASTOREK	PINION
10	9205 102168	ŠROUB	SCREW
11	S981 024315	KLOBOVÝ HŘÍDEL	JOINT SHAFT
12	S080 410677	POUZDRO	CASE
13	S080 436459	OBJÍMKA	SLEEVE
14	S080 344092	HŘÍDEL	BAR
15	S080 562121	KOLO	WHEEL
16	9202 002558	ŠROUB	SCREW
17	S321 920024	ČELNÍ KRYT	FRONTAL COVER
18	0688 320510	OBJÍMKA	SLEEVE
19	S080 111281	ŠROUB	SCREW
20	S981 045551	OZUBENÁ ŘEMENICE ÚPLNÁ	TOOTHED PULLEY CPL.
21	S080 410702	KROUŽEK	RING
23	S981 045552	OZUBENÁ ŘEMENICE ÚPLNÁ	TOOTHED PULLEY CPL.
24	S080 951385	KLADKA	ROLLER
25	S080 951386	NAP. KLADKA	TENSION ROLLER
26	S980 060181	DRŽÁK NAPÍNAČÍ KLADKY	HOLDER OF TENSION ROLLER
27	S080 422222	POUZDRO	CASE
28	S080 120264	ŠROUB	SCREW
29	9202 002888	ŠROUB	SCREW
30	S311 515032	KOLÍK	PIN
31	S080 120270	ŠROUB	SCREW
32	S080 120100	ŠROUB	SCREW
34	S321 945405	ZÁTKA	PLUG
36	S080 410702	KROUŽEK	RING
40	0688 320140	KLOUB	JOINT
41	S980 039123	HŘÍDEL ÚPLNÁ	BAR CPL.
42	0688 320180	HŘÍDEL	BAR
43	0688 320340	ČEP	PIN
44	9205 101848	ŠROUB	SCREW
45	9301 101881	KOLÍK	PIN
55	0244 000700	ŠROUB	SCREW
56		VIZ POS. 20	SEE 20
60	0244 000700	ŠROUB	SCREW
61		VIZ POS. 23	SEE 23

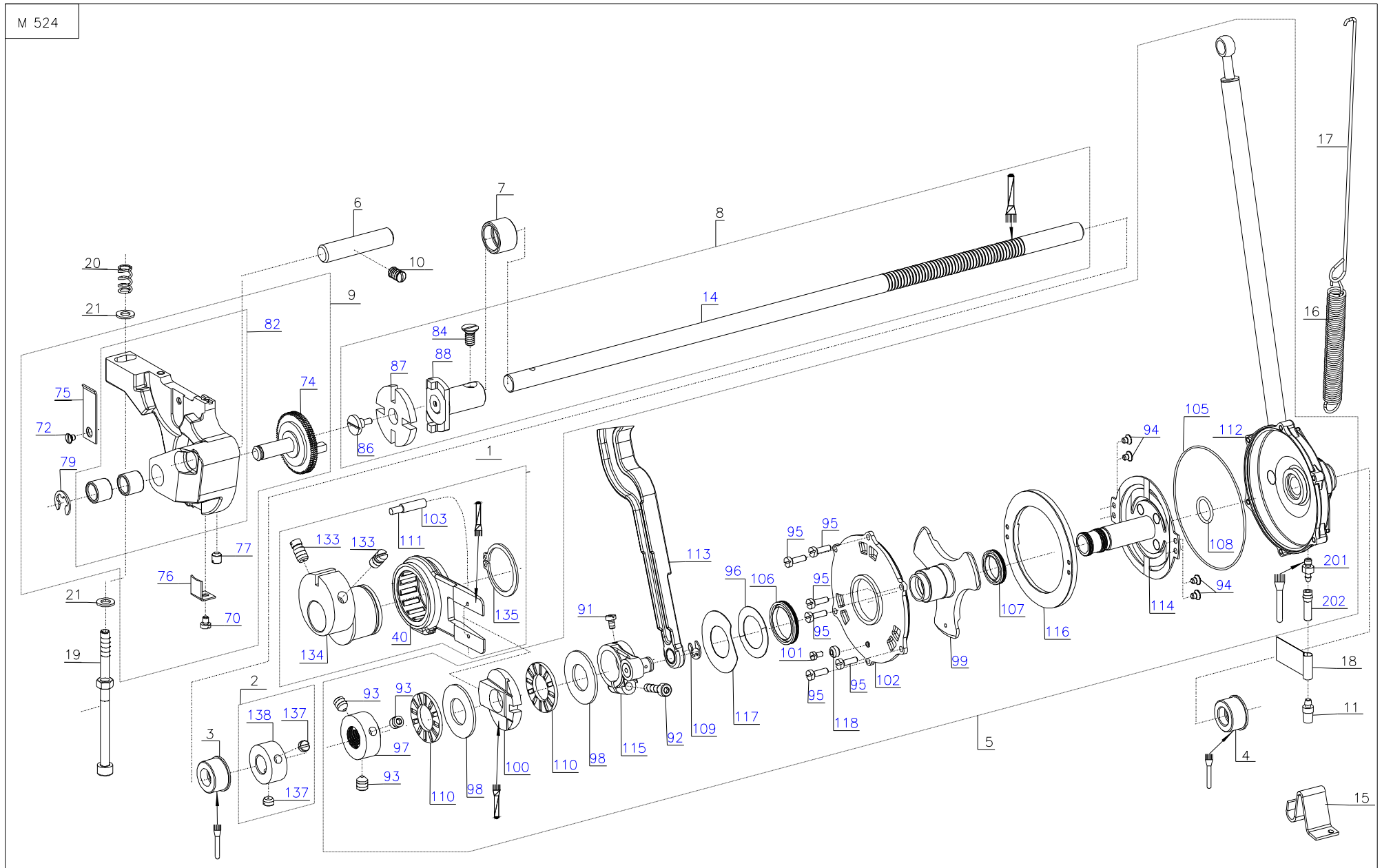
Pos. Det.	Díllec č. Part No.	Název	Denomination
--------------	-----------------------	-------	--------------



M 523

Pos. Det.	Dílec č. Part No.	Název	Denomination
1	0265 002402	OLEJOVÁ NÁDRŽKA	OIL TANK
2	9217 300528	ŠROUB	SCREW
3	S158 076500	DRÁT	BLOWER
4	0211 000806	PRŮCHODKA	BUSHING
5	9840 120027	PRÍCHYTKA	CLIP
6	VIZ S980 000523		S980 000523
7	VIZ S980 000523		S980 000523
10	S080 826389	SVORKA	CLAMP

Pos. Det.	Dílec č. Part No.	Název	Denomination
--------------	----------------------	-------	--------------

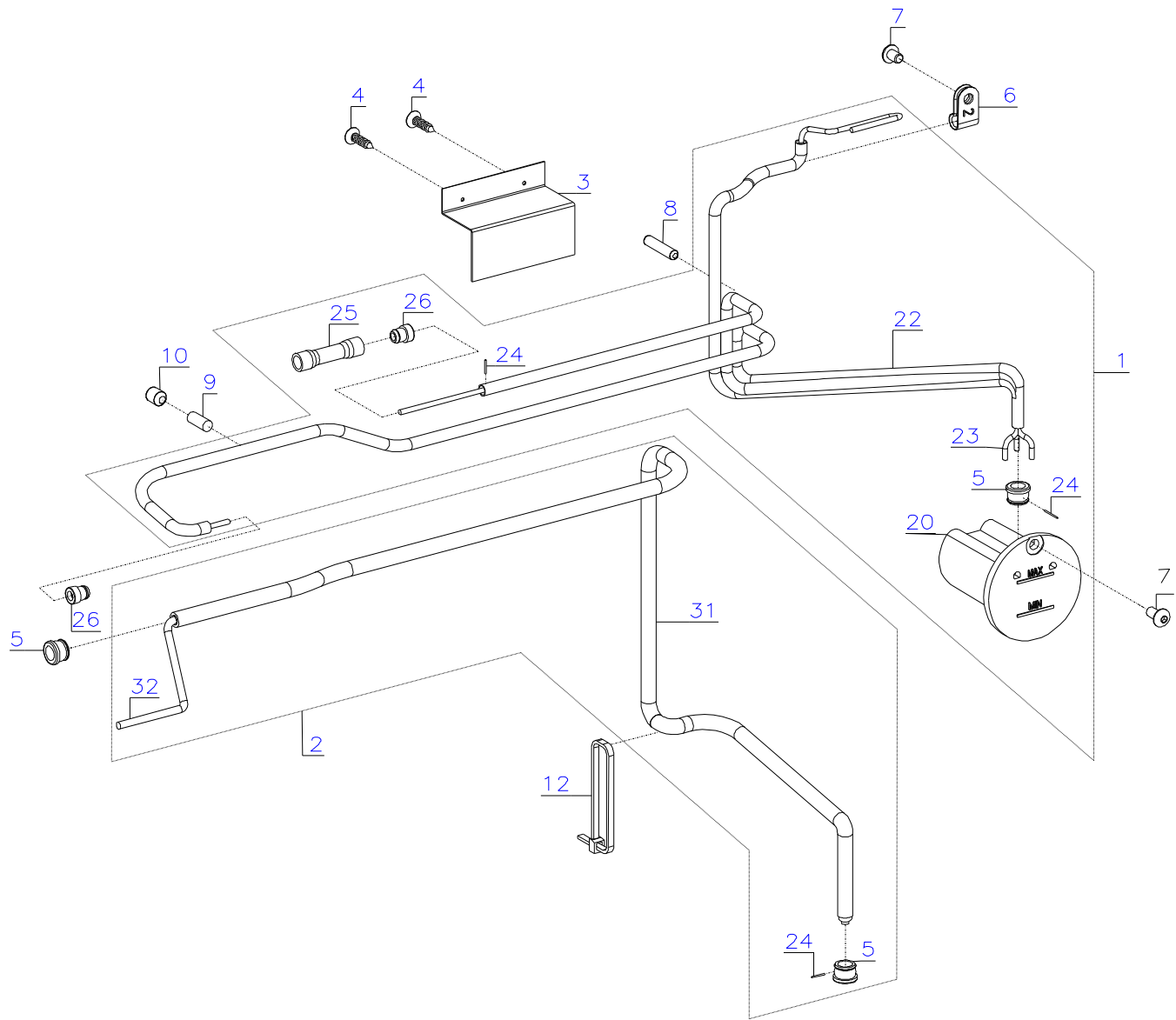


## M 524

Pos. Det.	Díllec č. Part No.	Název	Denomination
1	S981 052046	VÝSTŘEDNÍK ÚPLNÝ	ECCENTRIC CPL.
2	S981 052047	STAVĚCÍ KROUŽEK ÚPLNÝ	REGULATING RING CPL.
3	S080 425320	LOŽISKO	BEARING
4	S080 425318	LOŽISKO	BEARING
5	S981 024304	SPOJKA ÚPLNÁ	CLUTCH CPL.
6	S080 314286	ČEP	PIN
7	S080 410687	LOŽISKO	BEARING
8	S981 022856	SPODNÍ KRUHOVÉ PODÁVÁNÍ	LOWER WHEEL FEED
9	S981 022857	NOSIČ PODAVAČE ÚPLNÝ	FEED CARRIER CPL.
10	S080 120006	ŠROUB M6 x 10	SCREW M6 x 10
11	S080 424165	KONČOVKA	TERMINAL
14	S080 345088	PODAVACÍ HRÍDEL	FEEDING SHAFT
15	S080 839333	ZÁVĚS	HANGER
16	S315 263275	PRUŽINA	SPRING
17	S080 271533	HÁČEK PRUŽINY	HOOK OF SPRING
19	S980 039112	ŠROUB ÚPLNÝ	SCREW CPL.
20	S080 260611	PRUŽINA	SPRING
21	S080 190379	PODLOŽKA	WASHER
40	S980 060185	ŮJNICE ÚPLNÁ	ROD CPL.
70	S080 120215	ŠROUB	SCREW
72	S080 126180	ŠROUB	SCREW
74	S080 555047	SPOJKA	CLUTCH
75	S080 818712	PŘÍLOŽKA	SPLICE
76	S080 283179	ČISTIČÍ PÉRKO	CLEANING SPRING
77	S309 281506	ŠROUB M5 x 6	SCREW M5 x 6
79	S311 732060	POJ. KROUŽEK	RETAINING RING
82	S980 022858	NOSIČ PODÁVÁNÍ ÚPLNÝ	FEED DOG CARRIER
84	S080 126185	ŠROUB	SCREW
86	S080 120694	ŠROUB	SCREW
87	S080 442661	KŘÍŽ SPOJKY	CROSS OF CLUTCH
88	S980 043502	SPOJKA ÚPLNÁ	CLUTCH CPL.
91	S080 120296	ŠROUB M3 x 5	SCREW M3 x 5
92	S309 100414	ŠROUB M4 x 16	SCREW M4 x 16
93	9205 122473	ŠROUB	SCREW
94	9203 313021	ŠROUB	SCREW
95	S080 120516	ŠROUB	SCREW
96	S080 281136	PRUŽINA	SPRING
97	S080 425324	KROUŽEK	RING
98	S080 441671	KROUŽEK	RING
99	S080 442655	SPOJKA	CLUTCH
100	S080 451114	KLÍN	WEDGE
101	S080 120403	ŠROUB M2,5 x 5	SCREW M2,5 x 5
103		VIZ POS. 132	SEE 132
105	S273 014225	O-KROUŽEK 58 x 1	O-RING 58 x 1
106	S273 005000	GUFERO INA 18 x 24 x 3	GUFERO INA 18 x 24 x 3
107	S273 004000	GUFERO INA 13 x 19 x 3	GUFERO INA 13 x 19 x 3
109	S311 732050	POJ. KROUŽEK	RETAINING RING
110	S324 800000	LOŽISKO AXK 1528 INA	BEARING AXK 1528 INA
111		VIZ POS. 132	SEE 132
112	S980 022855	SPOJKA S TÁHLEM	CLUTCH WITH ROD
113	S980 022862	TÁHLO ÚPLNÉ	ROD CPL.
114	S980 047266	POUZDRO ÚPLNÉ	CASE CPL.
115	S980 060186	PÁKA ÚPLNÁ	LEVER CPL.
116	S980 088003	KOTOUČ ÚPLNÝ	DISK CPL.
117	S080 814478	KROUŽEK	RING
118	S080 412223	POUZDRO	CASE
124	S080 111375	ŠROUB	SCREW
125		VIZ POS. 123	SEE 123

Pos. Det.	Díllec č. Part No.	Název	Denomination
133	S080 120689	ŠROUB	SCREW
134	S080 671178	VÝSTŘEDNÍK DÉLKY STEHU	ECCENTRIC OF LENGHT STITCH
135	S311 733280	POJ. KROUŽEK	RETAINING RING
137	S080 111375	ŠROUB	SCREW
138		VIZ POS. 136	SEE 136
141	S080 120543	ŠROUB	SCREW
142		VIZ POS. 140	SEE 140
146	S080 436446	STAVĚCÍ KROUŽEK	REGULATING RING
147	S080 646472	OBJÍMKA DRŽÁKU	SLEEVE OF HOLDER
175	9205 102488	ŠROUB M6 x 10	SCREW M6 x 10
179	S273 001002	O-KROUŽEK 9 x 2	O-RING 9 x 2
201	S080 424163	VENTIL	VENT
202	S283 002004	HADIČKA SILIKONOVÁ	HOSE SILIKON

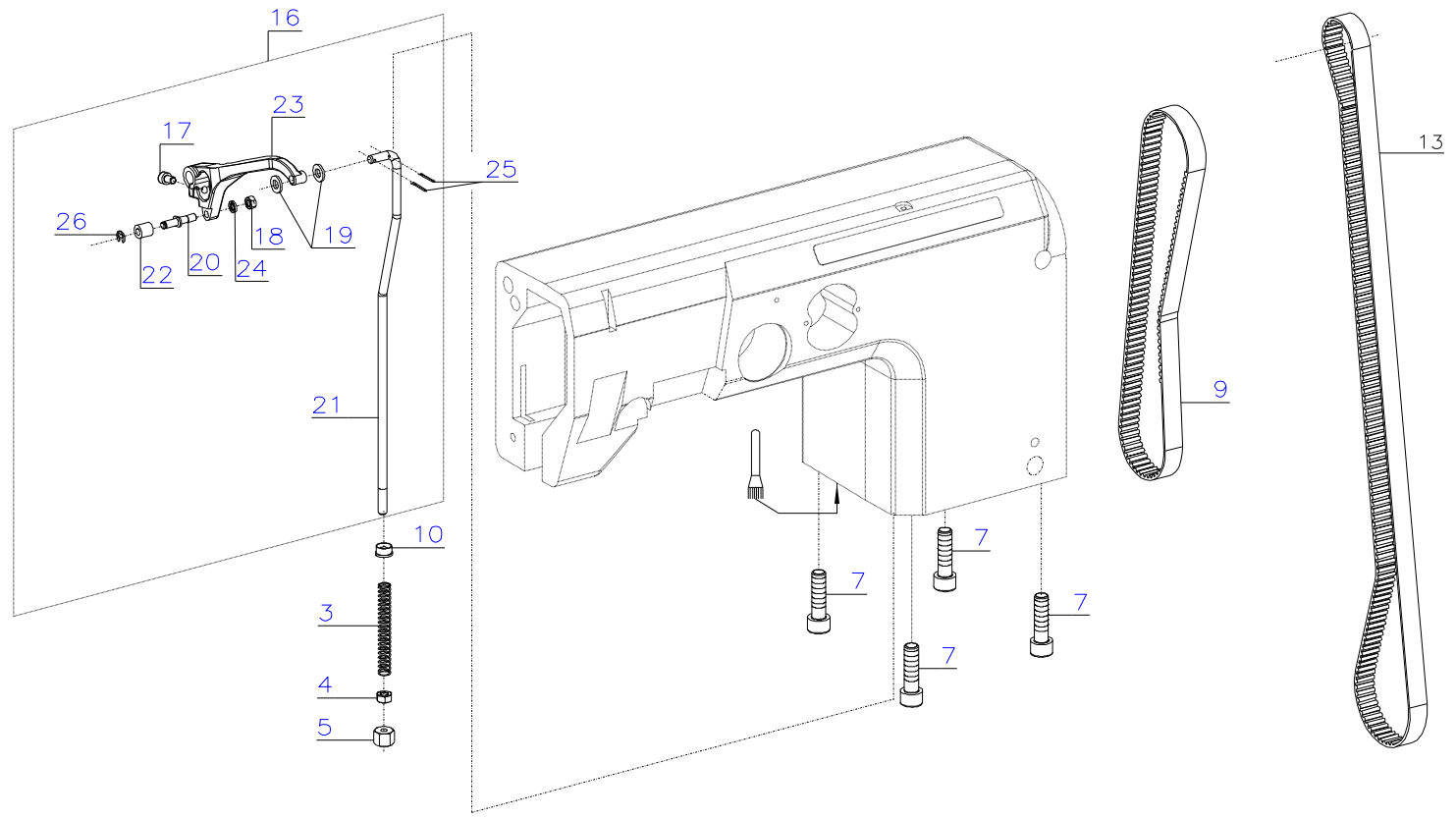
M 514



## M 514

Pos. Det.	Dílce č. Part No.	Název	Denomination
1	S981 052071	MAZACÍ SKŘÍŇ ÚPLNÁ	LUBRICATION BOX CPL.
2	S981 052075	ODSAVACÍ KNOT ÚPLNÝ	WICK CPL.
3	S080 826412	PŘÍCHYTKA	CLIP
4	S311 400515	VRUT UN	SCREW UN
5	0211 000806	PRŮCHODKA	BUSHING
6	9840 120026	PŘÍCHYTKA	CLIP
7	9217 300528	ŠROUB	SCREW
8	S309 287416	ŠROUB	SCREW
9	S080 310483	KOLÍK	PIN
10	9205 102478	ŠROUB	SCREW
12	S562 411000	NG PÁSEK	NG BAND
20	0265 002402	OLEJOVÁ NÁDRŽKA	OIL TANK
22		VIZ POS. 1	SEE 1
23		VIZ POS. 1	SEE 1
24	S158 076500	DRÁT	BLOWER
25	S283 003001	HADIČKA PVC	HOSE PVC
26	0211 000085	PRŮCHODKA	BUSHING
31		VIZ POS. 2	SEE 2
32		VIZ POS. 2	SEE 2

Pos. Det.	Dílce č. Part No.	Název	Denomination
--------------	----------------------	-------	--------------

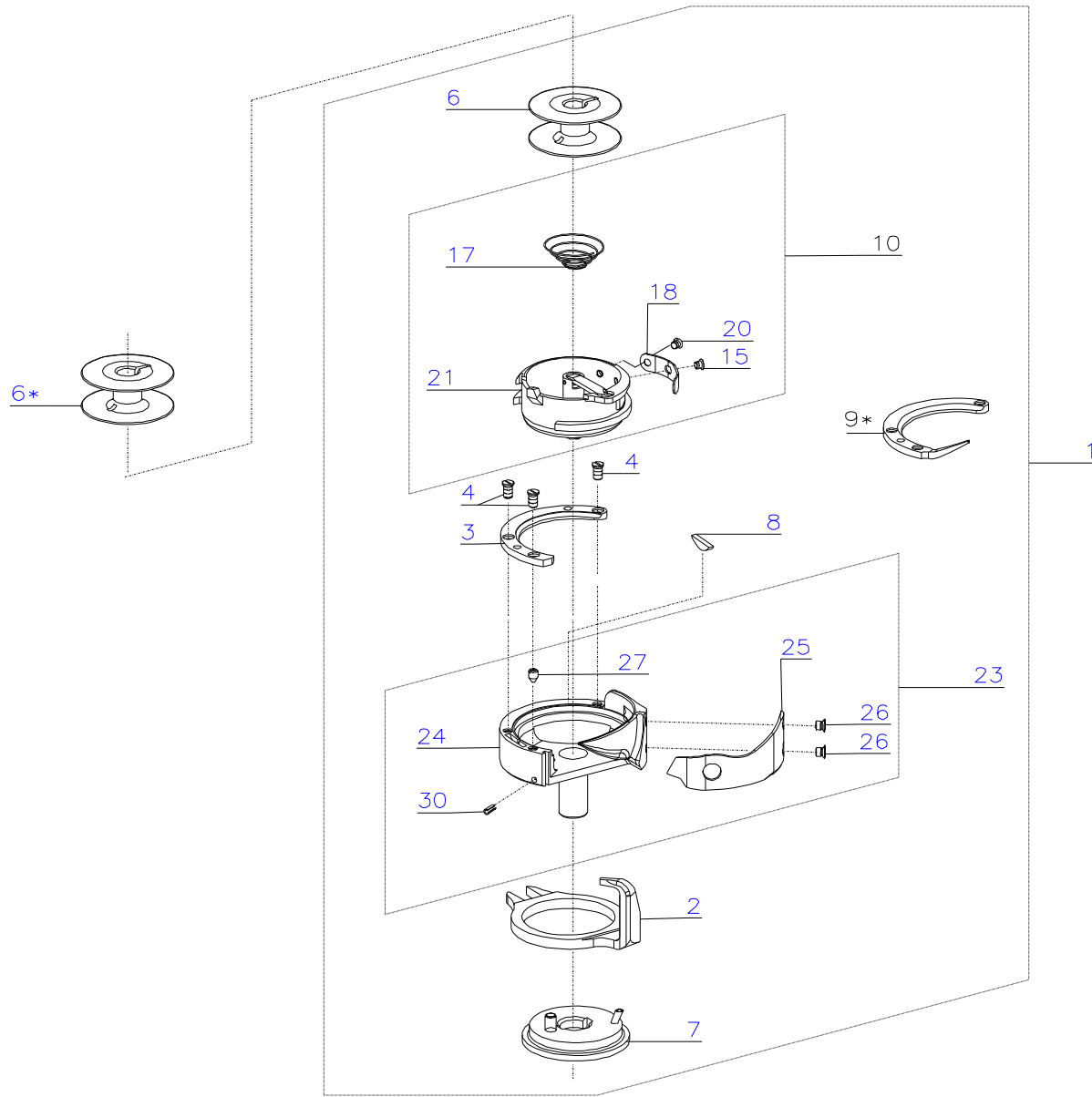




## M 087

Pos. Det.	Dílce č. Part No.	Název	Denomination
3	S080 260608	PRUŽINA	SPRING
4	S080 161142	MATICE	NUT
5	S080 161333	OPĚRKA	SUPPORT
7	9202 003738	ŠROUB M10 x 35	SCREW M10 x 35
9	S272 100517	OZUBENÝ ŘEMEN FLENNOR	TOOTHED BELT FLENNOR
10	S080 425326	POUZDRO	CASE
13	S272 100518	OZUBENÝ ŘEMEN	TOOTHED BELT
16	S980 060207	PÁKA ÚPLNÁ	LEVER CPL.
17	S080 120698	ŠROUB	SCREW
18	S080 161146	MATICE	NUT
19	S080 190346	PODLOŽKA	WASHER
20	S080 333175	ČEP	PIN
21	S080 384113	TÁHLO	ROD
22	S080 418182	KLADKA	ROLLER
23	S080 633220	PÁKA	LEVER
24	S311 214051	PODLOŽKA	WASHER
25	S311 318012	ZÁVLAČKA	SPLIT PIN
26	S311 732040	POJISTNÝ KROUŽEK	RETAINING RING

Pos. Det.	Dílce č. Part No.	Název	Denomination
--------------	----------------------	-------	--------------

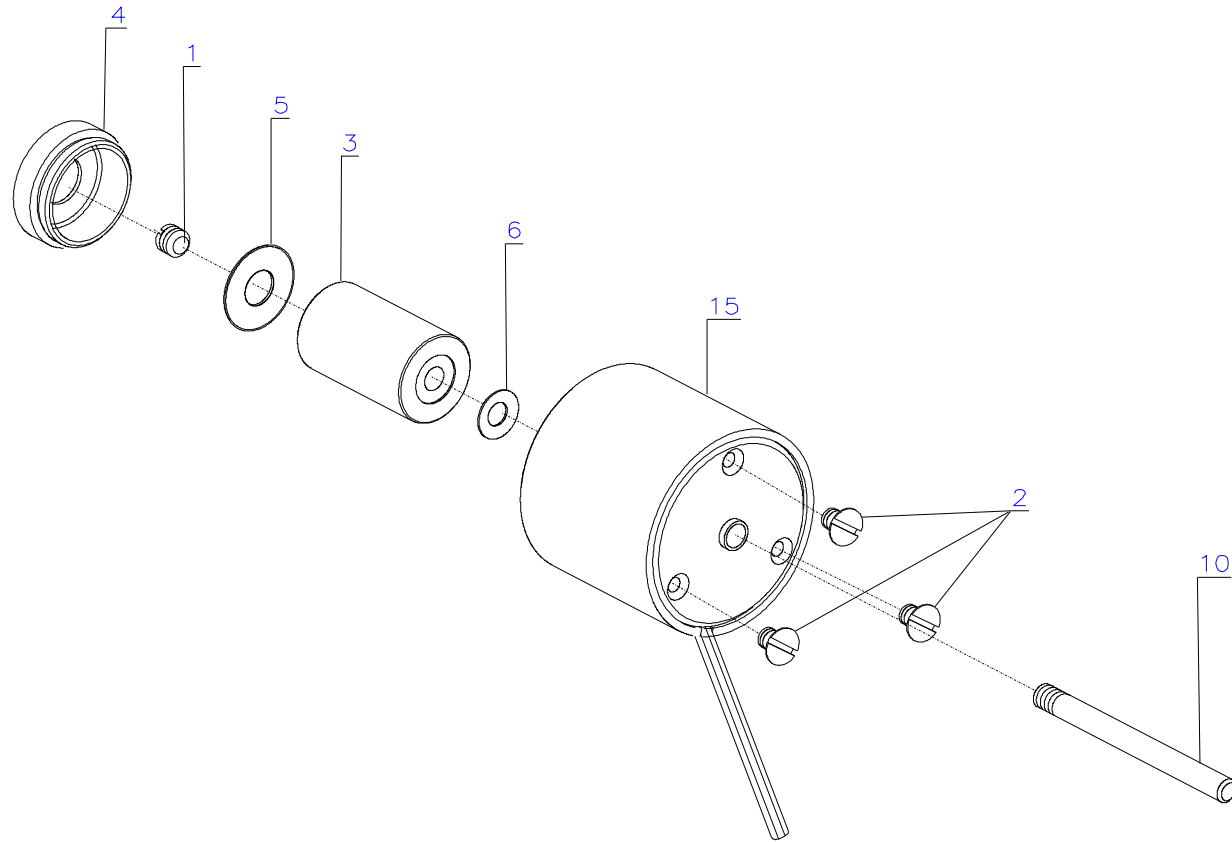


\* SPARE PARTS SUPPLIED WITH THE MACHINE

## M 820

Pos. Det.	Dílce č. Part No.	Název	Denomination
1	S981 008820	CHAPAČ	HOOK
2	S080 679011	UVOLŇOVACÍ HÁK	RELEASING HOOK
3	S080 681037	PŘÍLOŽKA	SPLICE
4	S080 683068	ŠROUB	SCREW
6	0245 001660 A	CÍVKA	BOBBIN
7		VIZ POS. 1	SEE 1
8		VIZ POS. 1	SEE 1
9	S080 681044	PŘÍLOŽKA	SPLICE
10	S981 081170	POUZDRO CÍVKY ÚPLNÉ	BOBBIN CASE CPL.
15	S080 683025	ŠROUB	SCREW
17	S315 262085	PRUŽINA	SPRING
18	0467 150120	PERKO	SPRING
20	0992 023560	ŠROUB	SCREW
21		VIZ POS. 10	SEE 10
23	S981 081171	TĚLESO CHAPAČE ÚPLNÉ	BODY OF HOOK CPL.
24		VIZ POS. 23	SEE 23
25	S080 680046	CHRÁNÍCÍ PLECH	PROTECTING SHEET
26	S080 683083	ŠROUB	SCREW
27	S080 683097	ŠROUB	SCREW
30		VIZ POS. 23	SEE 23

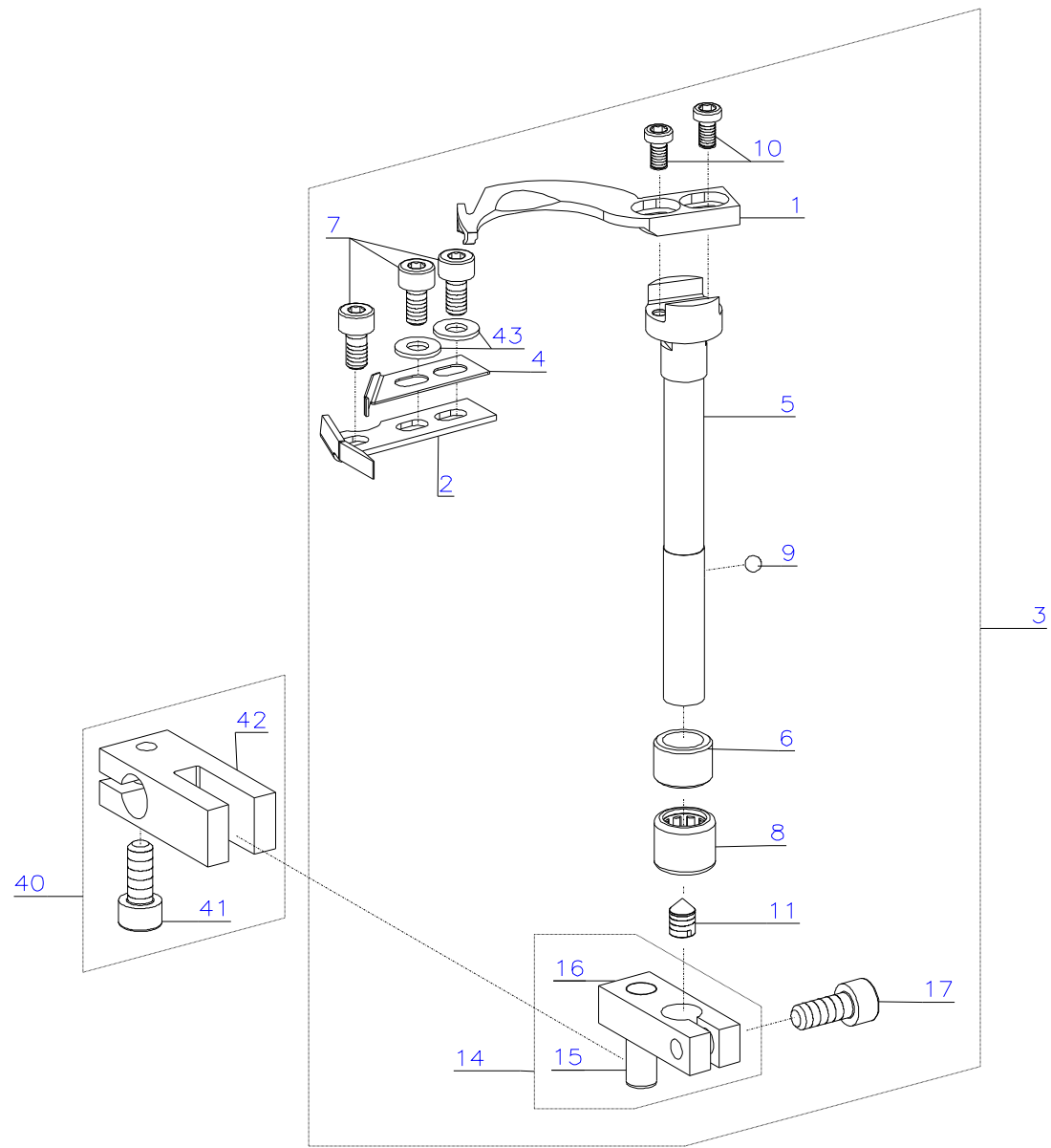
Pos. Det.	Dílce č. Part No.	Název	Denomination
--------------	----------------------	-------	--------------



## M 552

Pos. Det.	Dílec č. Part No.	Název	Denomination
1	S080 111300	ŠROUB	SCREW
2	S080 126182	ŠROUB	SCREW
3	S080 441708	JÁDRO	CORE
4	S080 441709	KRYT	COVER
5	S080 943212	PODLOŽKA	WASHER
6	S080 168006	PRUŽNÁ PODLOŽKA	SPRINGY WASHER
10	S980 027600	TYČ ÚPLNÁ	BAR CPL.
15	S980 094081	MAGNET	ELECTROMAGNET

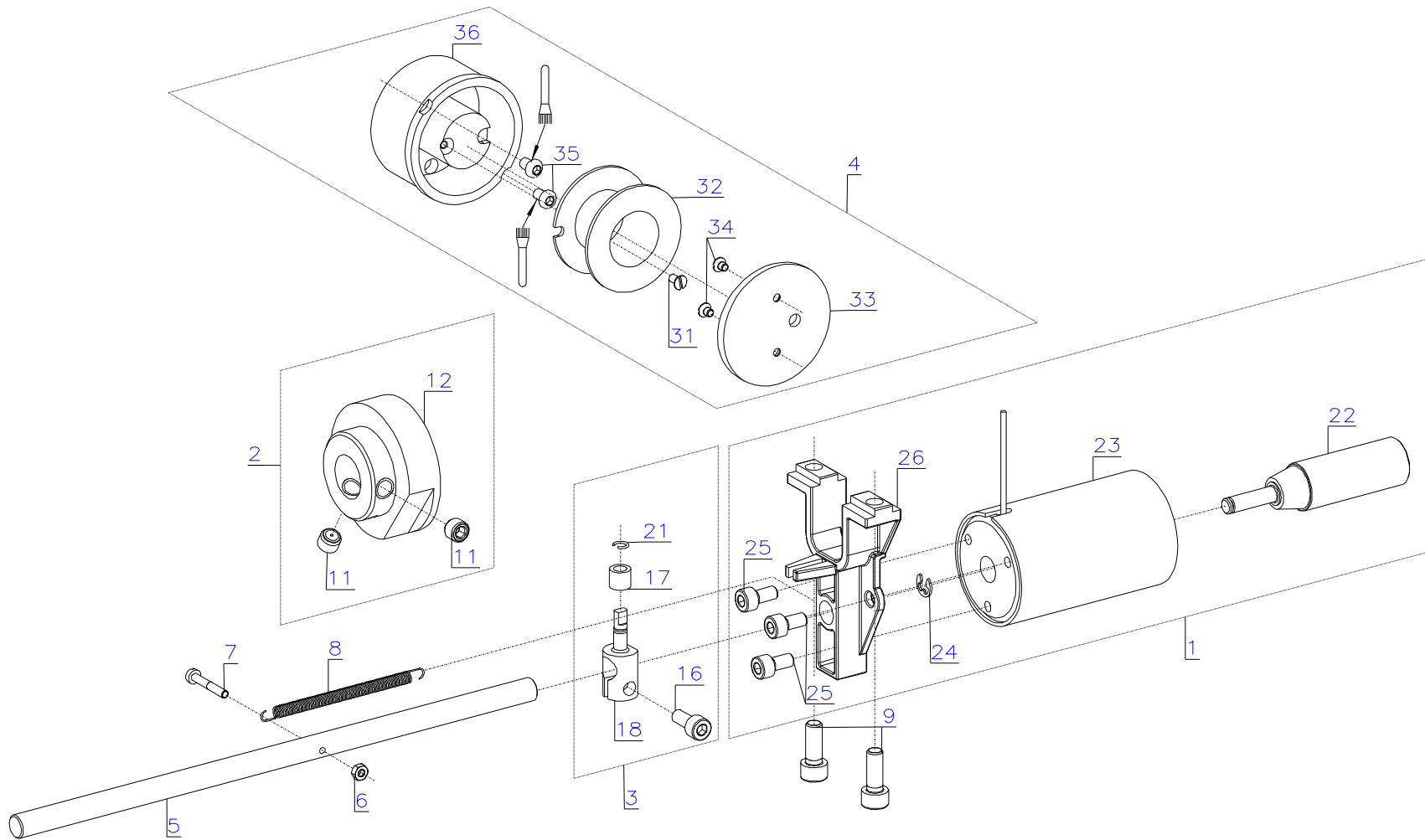
Pos. Det.	Dílec č. Part No.	Název	Denomination
--------------	----------------------	-------	--------------



## M 084

Pos. Det.	Dílce č. Part No.	Název	Denomination
.....	S980 000084 .....	ODSTŘIH NITÍ .....	THREAD TRIMMER
1 .....	S080 870221 .....	NUŽ ODSTŘIHU PRO VEL. CHAPAČ .....	KNIFE OF THREAD TRIMMER FOR BIG HOOK
2 .....	S080 870222 .....	NUŽ .....	KNIFE
3 .....	S981 026191 .....	ODSTŘIH NITÍ .....	THREAD TRIMMER
4 .....	S080 283177 .....	PŘÍTLAČNÉ PERKO .....	PRESSER SPRING
5 .....	S080 346079 .....	HŘÍDEL ODSTŘIHU .....	SHAFT OF THREAD TRIMMER
6 .....	S080 418186 .....	STAVĚCÍ KROUŽEK .....	REGULATING RING
7 .....	9202 002068 .....	ŠROUB IMBUS 4 x 8 .....	SCREW IMBUS 4 x 8
8 .....	S324 810110 .....	LOŽISKO .....	BEARING
9 .....	S324 052018 .....	KULIČKA 1/8-40 .....	BALL 1/8-40
10 .....	S309 798306 .....	ŠROUB M3 x 6 .....	SCREW M3 x 6
11 .....	S080 112088 .....	ŠROUB M5 x 8 .....	SCREW M5 x 8
14 .....	S980 060188 .....	DRŽÁK ÚPLNÝ .....	HOLDER CPL.
15 .....	S080 314255 .....	ČEP .....	PIN
16 .....	S080 613584 .....	DRŽÁK .....	HOLDER
17 .....	S080 120293 .....	ŠROUB M5 x 12 .....	SCREW M5 x 12
40 .....	S981 060196 .....	VIDLICE ÚPLNÁ .....	PLUG CPL.
41 .....	S080 120293 .....	ŠROUB M5 x 12 .....	SCREW M5 x 12
42 .....	S080 613583 .....	VIDLICE .....	PLUG
43 .....	S311 210043 .....	PODLOŽKA .....	WASHER

Pos. Det.	Dílce č. Part No.	Název	Denomination
--------------	----------------------	-------	--------------

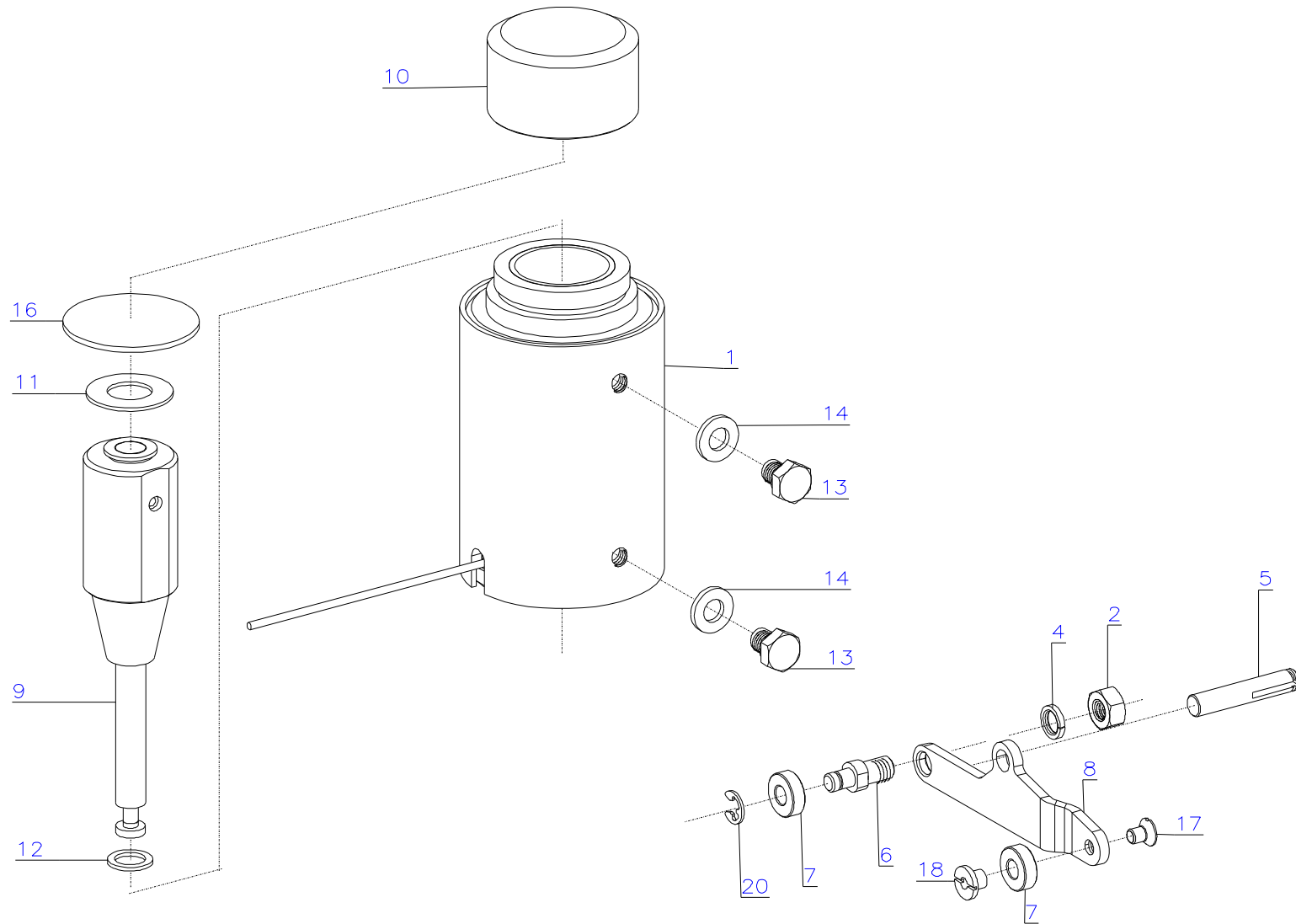




## M 519

Pos. Det.	Dílce č. Part No.	Název	Denomination
	S980 000519	POHON ODSTŘIHU NITI	THREAD TRIMMER DRIVE
1	S981 094079	ELEKTROMAGNET ÚPLNÝ	ELECTROMAGNET CPL.
2	S981 045575	VÁČKA ÚPLNÁ	CAM CPL.
3	S981 060190	KLADKA ÚPLNÁ	ROLLER CPL.
4	S981 094080	ELEKTROMAGNET ÚPLNÝ	ELECTROMAGNET CPL.
5	S080 341253	VODÍČÍ TYČ	GUIDING BAR
6	S080 161145	MATICE M3	NUT M3
7	S080 120373	ŠROUB	SCREW
8	S080 263277	PRUŽINA ODSTŘIHU	SPRING OF THREAD TRIMMING
9	S080 120441	ŠROUB	SCREW
11	S080 111376	ŠROUB	SCREW
12		VIZ POS. 2	SEE 2
16	S080 120293	ŠROUB M5 x 12	SCREW M5 x 12
17		VIZ POS. 3	SEE 3
18		VIZ POS. 3	SEE 3
21	S311 732005	POJ. KROUŽEK	RETAINING RING
22	S980 027598	JÁDRO ÚPLNÉ	CORE CPL.
23	S980 094011	ELEKTROMAGNET	ELECTROMAGNET
24	S311 732040	POJ. KROUŽEK	RETAINING RING
25	9202 002467	ŠROUB	SCREW
26		VIZ POS. 1	SEE 1
31	S080 126065	ŠROUB	SCREW
32	S980 094061	CÍVKA ÚPLNÁ	INDUCTION COIL CPL.
33	S080 814485	PŘÍRUBA	FLANGE
34	9203 313022	ŠROUB	SCREW
35	9217 300518	ŠROUB	SCREW
36	S080 441689	TĚLESO MAGNETU	BODY OF ELECTROMAGNET

Pos. Det.	Dílce č. Part No.	Název	Denomination
--------------	----------------------	-------	--------------

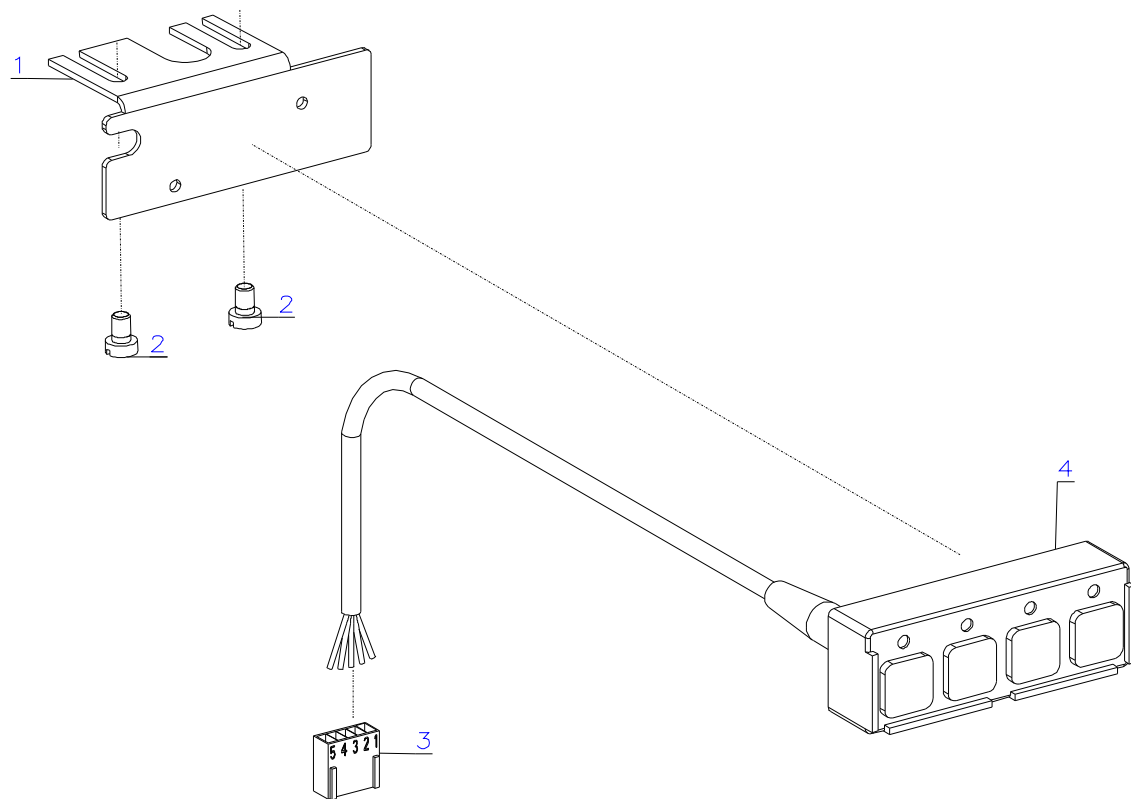


## M 249

Pos.	Dílce č.	Název	Denomination
Det.	Part No.		
	S980 000249	ELEKTROMAGNETICKÉ ZPÁTKOVÁNÍ	EMG BACKTACKING
1		VIZ S980 000249	SEE S980 000249
2	S080 161142	MATICE M6	NUT M6
4	S080 191108	PODLOŽKA	WASHER
5	S080 318234	ČEP	PIN
6		VIZ S980 000249	SEE S980 000249
7	S080 418184	KLADKA	ROLLER
8		VIZ S980 000249	SEE S980 000249
9		VIZ S980 000249	SEE S980 000249
10		VIZ S980 000249	SEE S980 000249
11	S080 943212	PODLOŽKA	WASHER
12	S080 190675	PODLOŽKA	WASHER
13	S080 141111	ŠROUB M6 x 8	SCREW M6 x 8
14	S080 190346	PODLOŽKA 6,4	WASHER 6.4
16		VIZ S980 000249	SEE S980 000249
17	S080 123117	ŠROUB	SCREW
18	S080 425327	POUZDRO	CASE
20	S311 732040	POJ. KROUŽEK	RETAINING RING

Pos.	Dílce č.	Název	Denomination
Det.	Part No.		

M 521



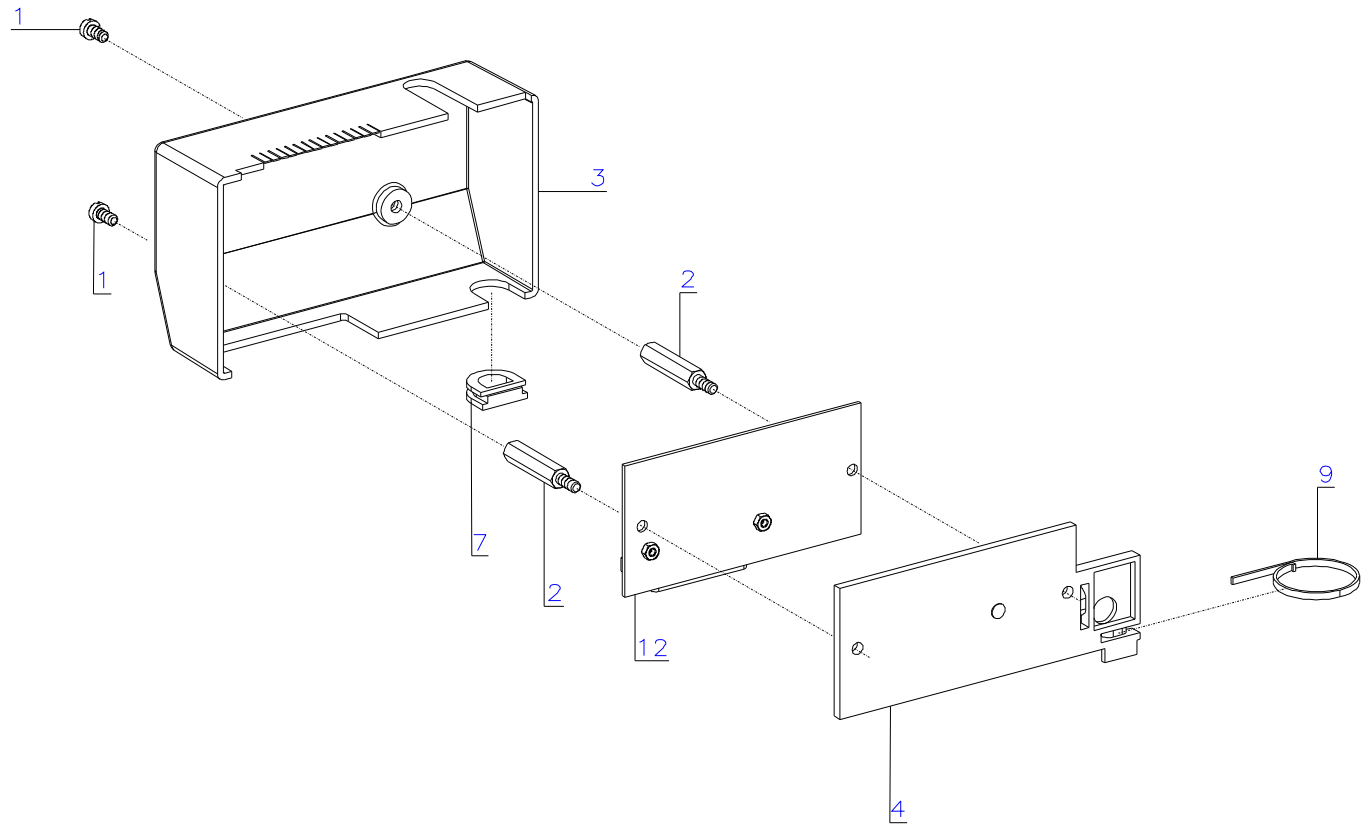
1	Ž LUTÁ	YELLOW
2	ZELENÁ	GREEN
3	HNĚ DÁ	BROWN
4	BÍ LÁ	WHITE
5	Š EDÁ	GREY

M 521

Pos. Det.	Dílec č. Part No.	Název	Denomination
	..... S980 000521 .....	TLAČÍTKOVÝ PANEL .....	PUSH-BUTTON PANEL
1	..... S080 839346 .....	DRŽÁK .....	HOLDER
2	..... S309 738406 .....	ŠROUB .....	SCREW
3	..... VIZ S980 000521 .....		SEE S980 000521
4	..... 9880 003000 .....	TLAČÍTKO .....	PRESS BUTTON

Pos. Det.	Dílec č. Part No.	Název	Denomination

M 008

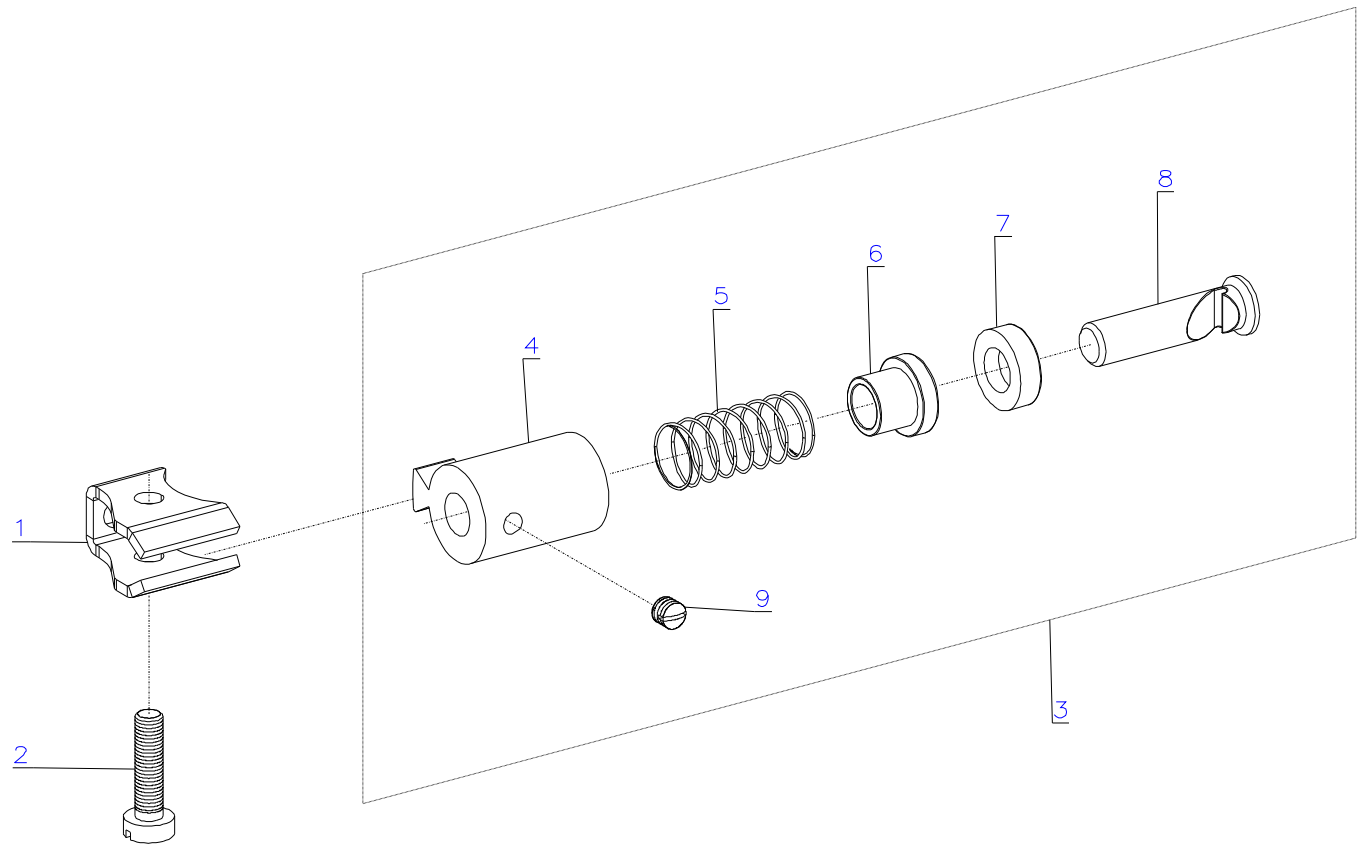


## M 008

Pos.	Dílce č.	Název	Denomination
Det.	Part No.		
	S980 000008	ELEKTRICKÝ ROZVADĚČ	ELECTRICAL SWITCH BOARD
1	S080 120410	ŠROUB M4 x 8	SCREW M4 x 8
2	S080 146060	ŠROUB	SCREW
3	S080 952449	KRYT	COVER
4	S321 952451	PODLOŽKA	WASHER
7	S273 940165	PRŮCHODKA	BUSHING
9	S562 411000	NG PÁSEK 2,5 x 135	NG BAND 2.5 x 135
12	S980 094029	DESKA ROZVODU	PLATE OF WIRING

Pos.	Dílce č.	Název	Denomination
Det.	Part No.		

M 063

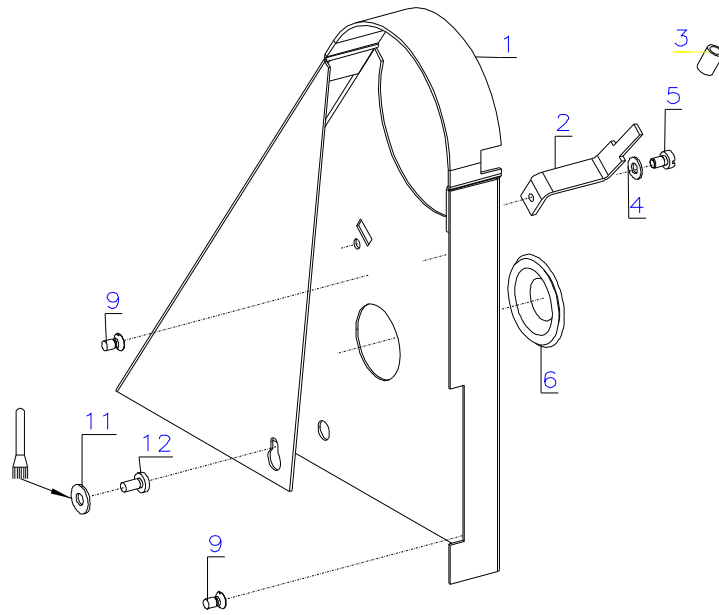




M 063

Pos. Det.	Dílce č. Part No.	Název	Denomination
1	S080 839327	SVORKA	CLAMP
2	9203 003087	ŠROUB M3 x 14	SCREW M3 x 14
3	0367 110304	VODIČ NITĚ	THREAD GUIDANCE
4		VIZ POS. 3	SEE 3
5		VIZ POS. 3	SEE 3
6		VIZ POS. 3	SEE 3
7		VIZ POS. 3	SEE 3
8		VIZ POS. 3	SEE 3
9		VIZ POS. 3	SEE 3

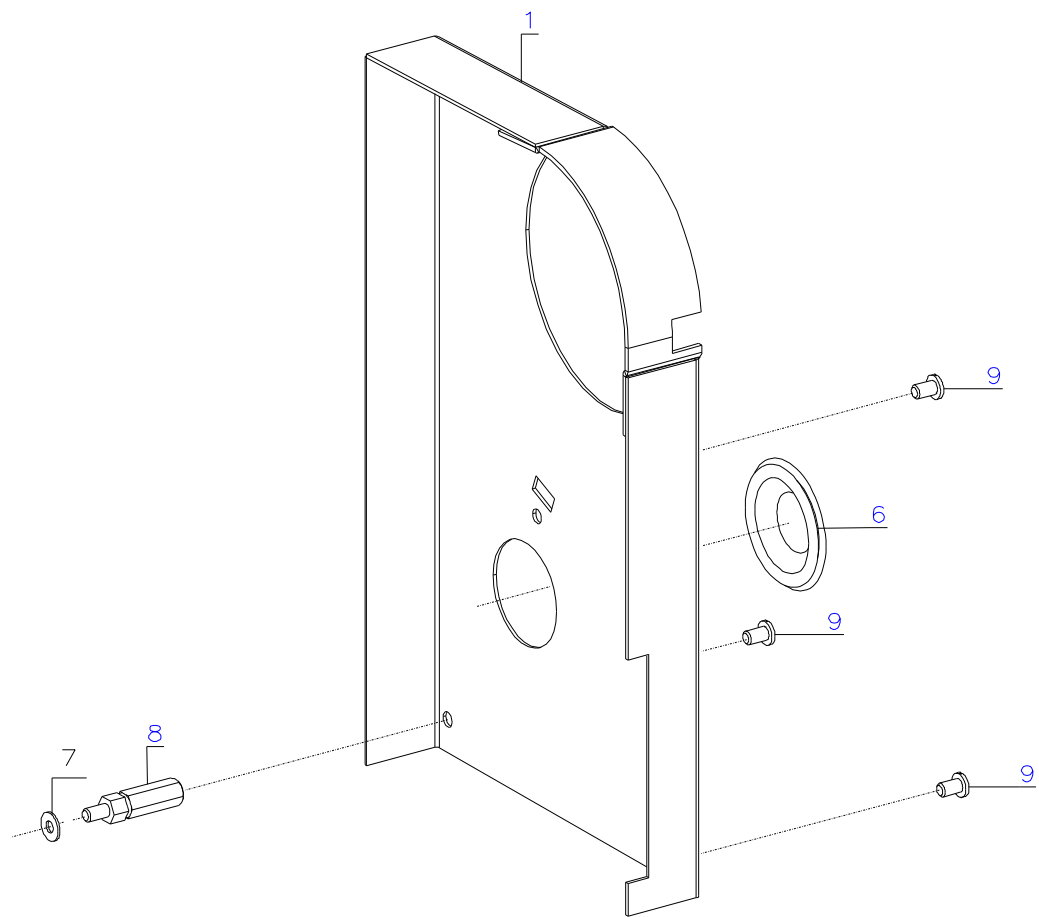
Pos. Det.	Dílce č. Part No.	Název	Denomination



M 265

Pos. Det.	Dílec č. Part No.	Název	Denomination
1	S980 057268	KRYT ŘEMENE	COVER OF BELT
2	S080 839323	ZARÁŽKA	STOPMOTION
3	S283 002001	HADIČKA PVC	HOSE PVC
4	S080 190369	PODLOŽKA 4,3	WASHER 4.3
5	S080 120409	ŠROUB M4 x 6	SCREW M4 x 6
6	S321 833821	ZASL. ZÁTKA 1833821	PLUG 1833821
9	S080 123117	ŠROUB	SCREW
11	S080 940179	PODLOŽKA	WASHER
12	S309 798408	ŠROUB M4 x 8	SCREW M4 x 8

Pos. Det.	Dílec č. Part No.	Název	Denomination
--------------	----------------------	-------	--------------

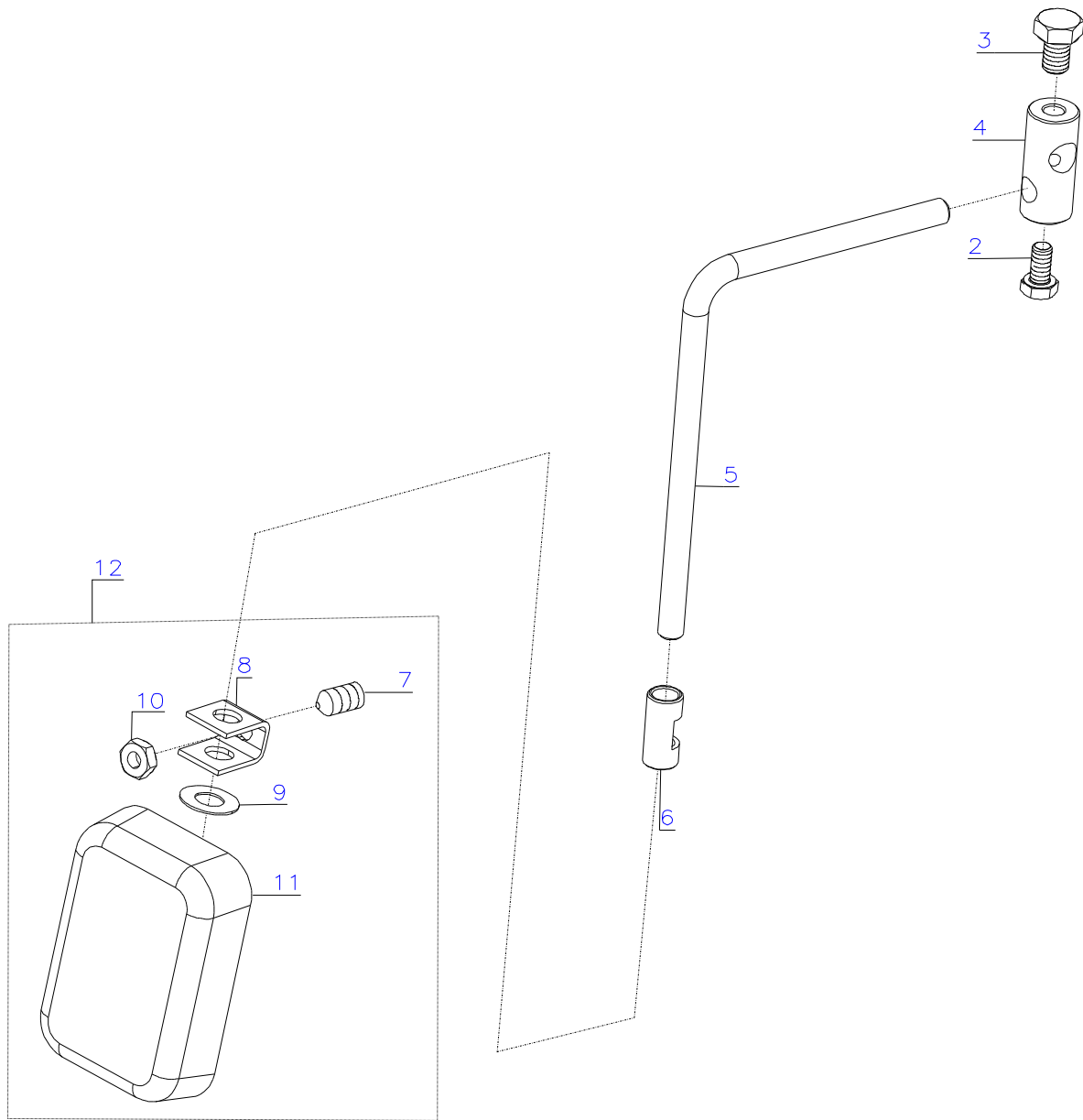


M 267

Pos. Det.	Dílec č. Part No.	Název	Denomination
1	S980 057273	KRYT ÚPLNÝ	COVER CPL.
6	S321 833821	ZÁTKA	PLUG
7	S080 191120	PODLOŽKA	WASHER
8	S080 146058	ŠROUB	SCREW
9	S080 123117	ŠROUB	SCREW

Pos. Det.	Dílec č. Part No.	Název	Denomination
--------------	----------------------	-------	--------------

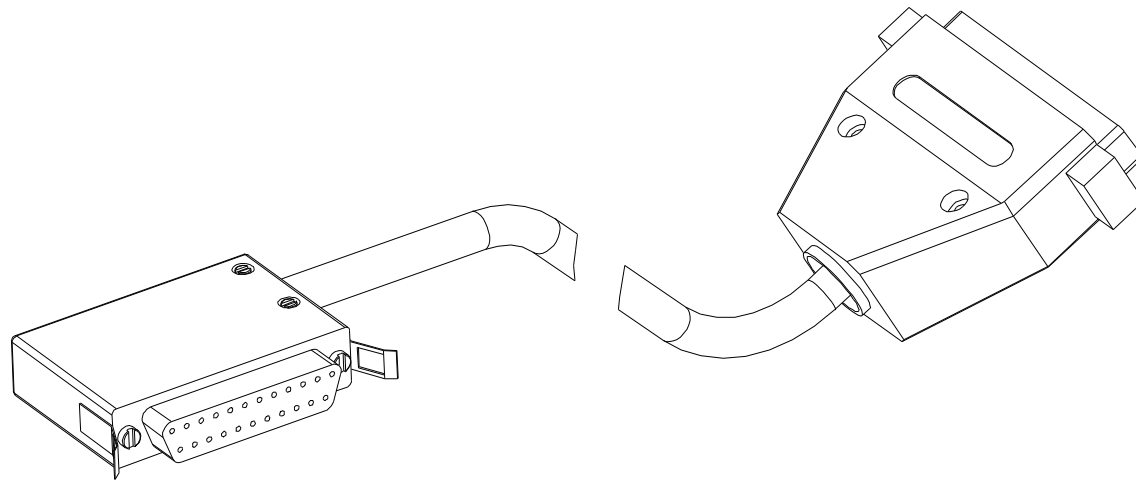
M 070



M 070

Pos. Det.	Dílce č. Part No.	Název	Denomination
.....	S980 000070 .....	KOLENNÍ PÁKA .....	KNEE LEVER
2 .....	S080 141141 .....	ŠROUB .....	SCREW
3 .....	S080 141121 .....	ŠROUB M8 x 12 .....	SCREW M8 x 12
4 .....	VIZ S980 000070 .....	.....	SEE S980 000070
5 .....	VIZ S980 000070 .....	.....	SEE S980 000070
6 .....	S080 416146 .....	POUZDRO .....	CASE
7 .....	9205 102787 .....	ŠROUB .....	SCREW
8 .....	0223 000481 .....	DRŽÁK .....	HOLDER
9 .....	9380 521220 .....	PRUŽINA .....	SPRING
10 .....	9231 011137 .....	MATICE .....	NUT
11 .....	0223 000483 .....	OPĚRA .....	CUSHION
12 .....	0223 000486 .....	KOLENNÍ OPĚRA .....	KNEE CUSHION

Pos. Det.	Dílce č. Part No.	Název	Denomination
--------------	----------------------	-------	--------------

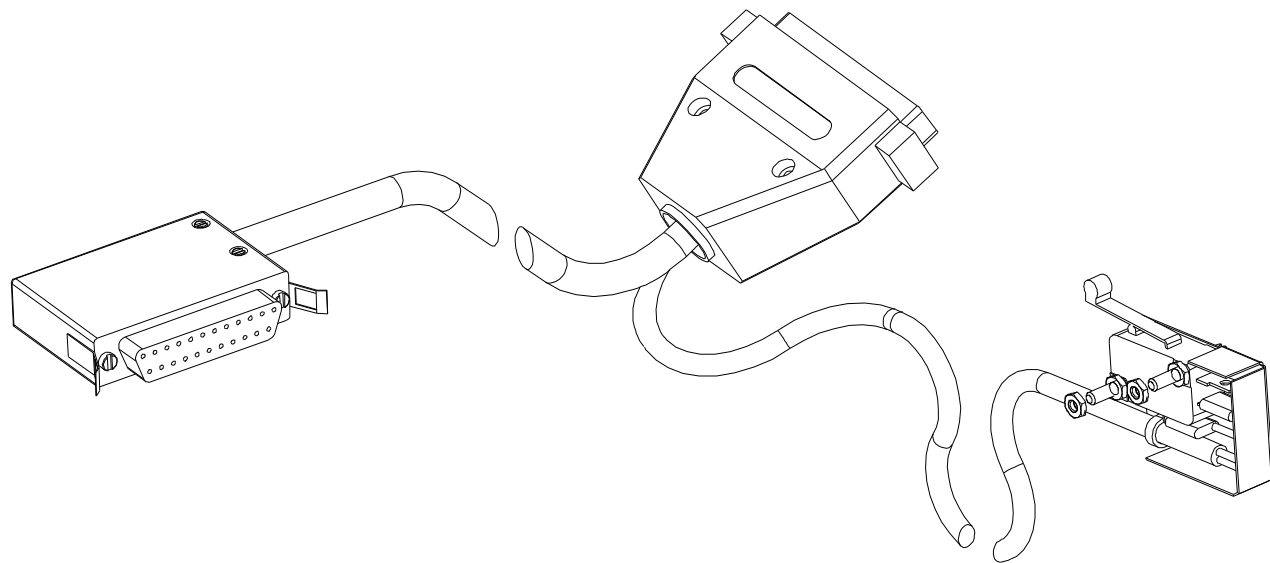




M 163

Pos. Det.	Dílce č. Part No.	Název	Denomination
.....	S980 000163 .....	PROPOJOVACÍ KABEL EFKA .....	CONNECTING CABLE EFKA

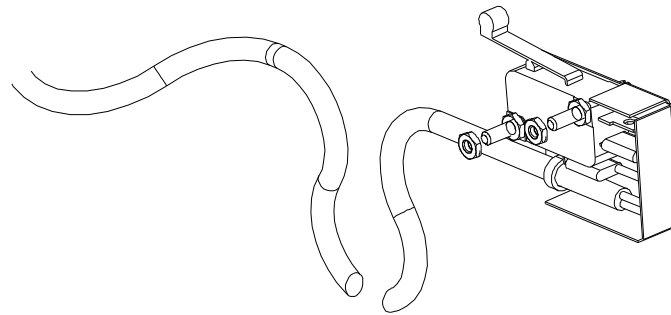
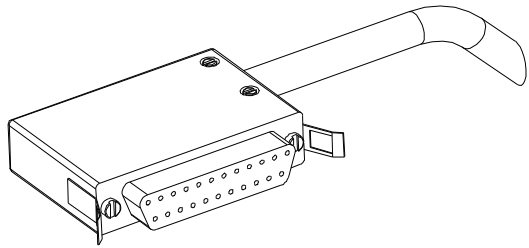
Pos. Det.	Dílce č. Part No.	Název	Denomination
--------------	----------------------	-------	--------------



M 301

Pos. Det.	Dílce č. Part No.	Název Denomination
	.....S980 000301 .....	PROPOJOVACÍ KABEL ..... CONNECTING CABLE

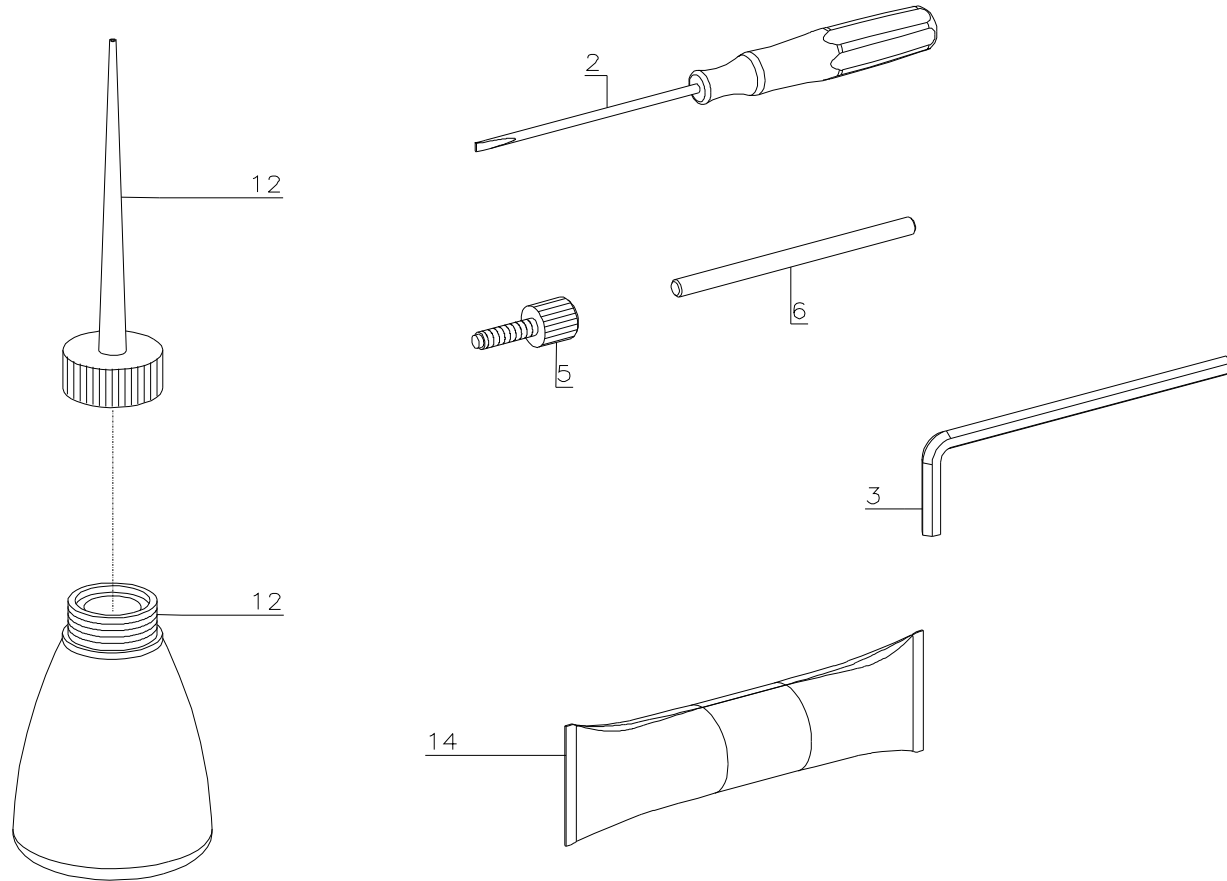
Pos. Det.	Dílce č. Part No.	Název Denomination
--------------	----------------------	-----------------------



M 325

Pos. Det.	Dílce č. Part No.	Název Denomination
	.....S980 000325 .....	PROPOJOVACÍ KABEL ..... CONNECTING CABLE

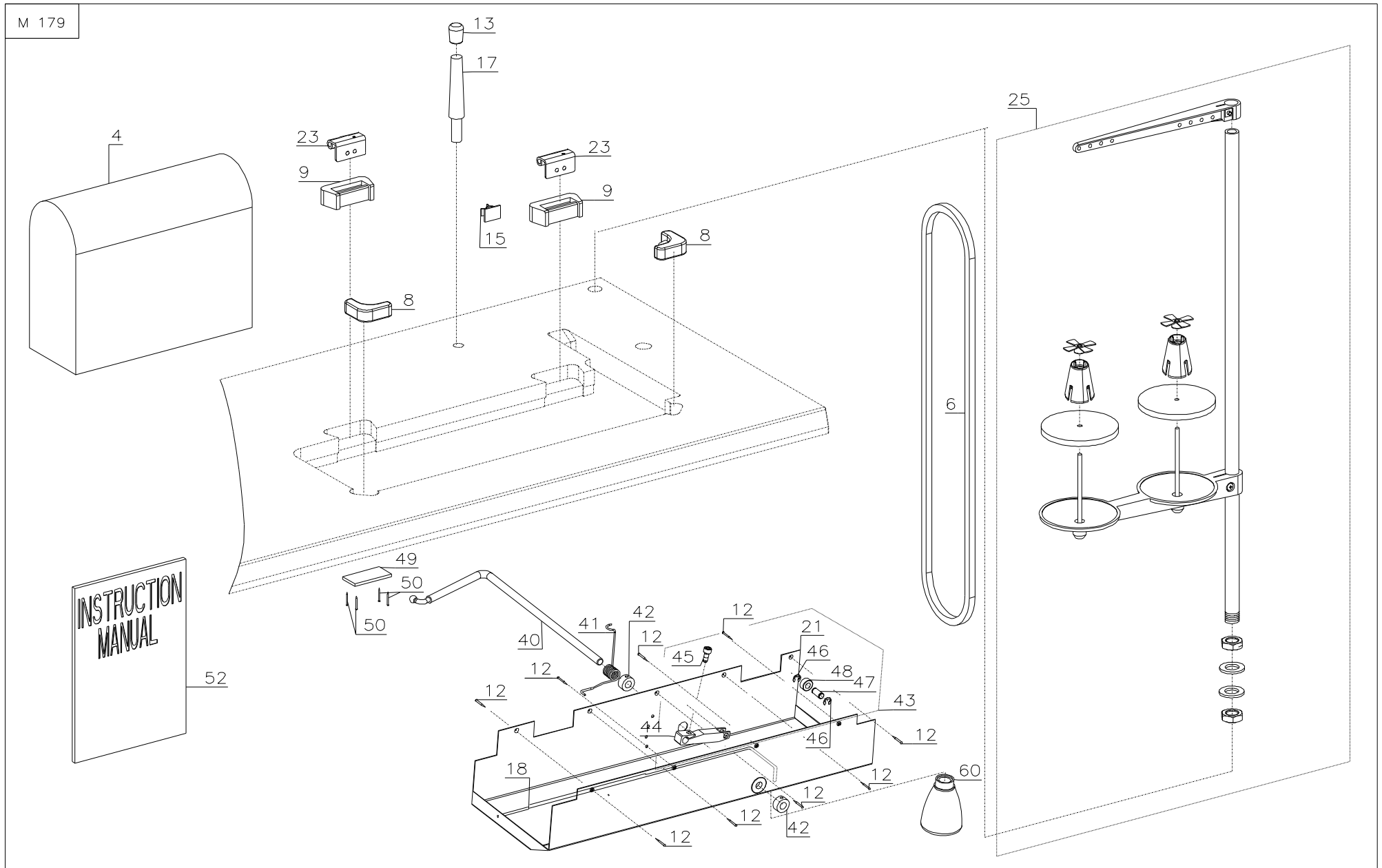
Pos. Det.	Dílce č. Part No.	Název Denomination
--------------	----------------------	-----------------------



## M 015

Pos.	Dílce č.	Název	Denomination		
Det.	Part No.				
.....	S980 000015	.....	STANDARDNÍ PŘÍSLUŠENSTVÍ	.....	STANDARD ACCESSORIES
2	9081 500010	.....	ŠROUBOVÁK	.....	SCREWDRIVER
3	S413 000500	.....	KLÍČ IMBUS 5	.....	SPANNER IMBUS 5
5	S080 133124	.....	ARETACNÍ ŠROUB	.....	FIXING SCREW
6	S080 310470	.....	NASTAVOVACÍ KOLÍK	.....	SETTING PIN
12	0052 000369	.....	OLEJNÍČKA	.....	OIL CAN
14	0211 000699	.....	MAZACÍ OLEJ	.....	OIL

Pos.	Dílce č.	Název	Denomination
Det.	Part No.		

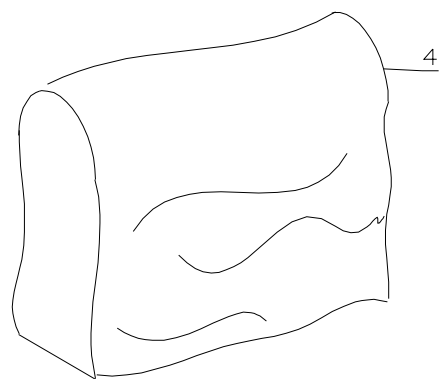




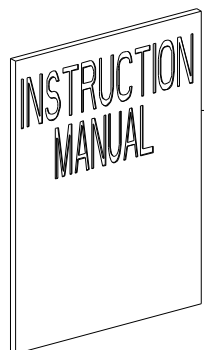
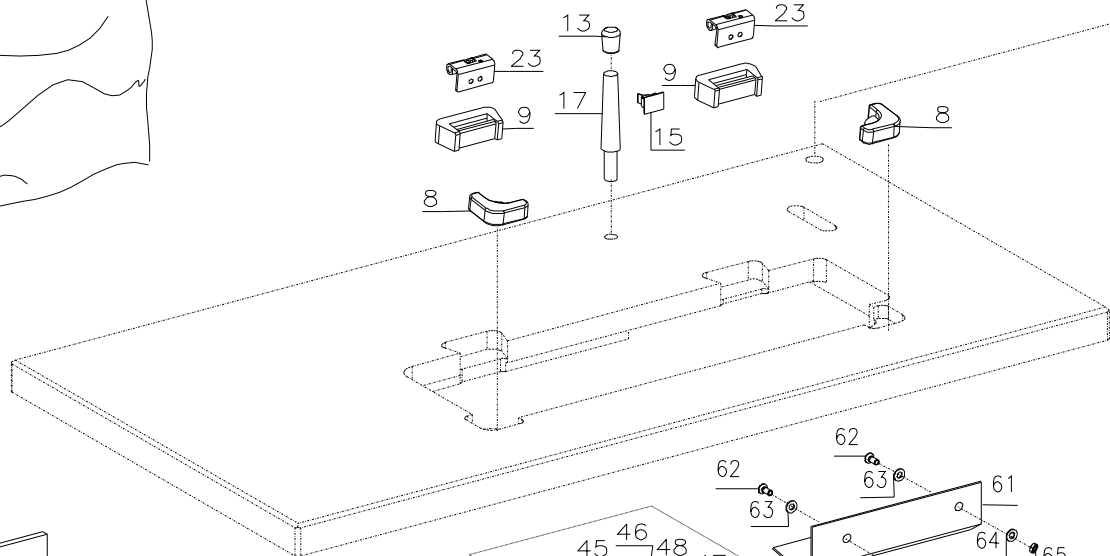
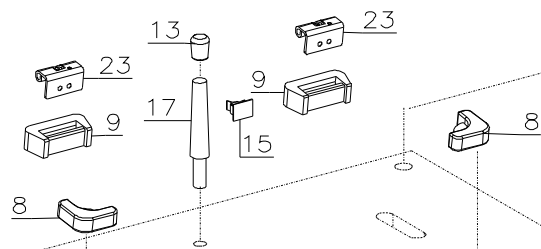
## M 179

Pos. Det.	Díllec č. Part No.	Název	Denomination
4	0APP 000301	KRYT	COVER
6	S272 000040	KLÍNOVÝ ŘEMEN	V-BELT
8	S907 010050	VLOŽKA	INSERT
9	S273 940127	VLOŽKA	INSERT
12	S840 123002	HŘEB 2 x 23	NAIL 2 x 23
13	S321 026000	ČEPIČKA 16 x 26	CAP 16 x 26
15	S345 172000	KABEL. PRÍCHYTKA	CABLE CLIP
17	S615 932046	KOLÍK	PIN
18	S708 130003	KNOT MAZACÍ	WICK LUBRICATING
21	S980 057265	OLEJOVÁ VANA S POUZDRY	OIL TRAY WITH BUSHINGS
23	S080 823149	ZÁVĚS	HANGER
25	S981 036162	NIŤ. STOJÁNEK PRO JEDNOJEHL.ST.	THREAD STAND FOR SINGLE- NEEDLE MACHINES
40	S080 383206	PÁKA	LEVER
41	S080 264330	PRUŽINA	SPRING
42	S311 710010	STAVĚCÍ KROUŽEK	REGULATING RING
43	S981 027603	PÁKA ÚPLNÁ	LEVER CPL.
44		VIZ POS. 43	SEE 43
45	S080 120295	ŠROUB	SCREW
46	S311 732060	POJ. KROUŽEK	RETAINING RING
47		VIZ POS. 43	SEE 43
48		VIZ POS. 43	SEE 43
49	S080 941091	PODLOŽKA	WASHER
50	S314 016020	HŘEB 1,6 x 20	NAIL 1.6 x 20
52		Dokumentace dle typu stroje	Documentation of the machine type
60	0052 000369	OLEJNIČKA	OIL CAN

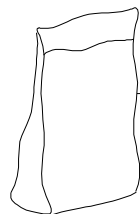
Pos. Det.	Díllec č. Part No.	Název	Denomination
--------------	-----------------------	-------	--------------



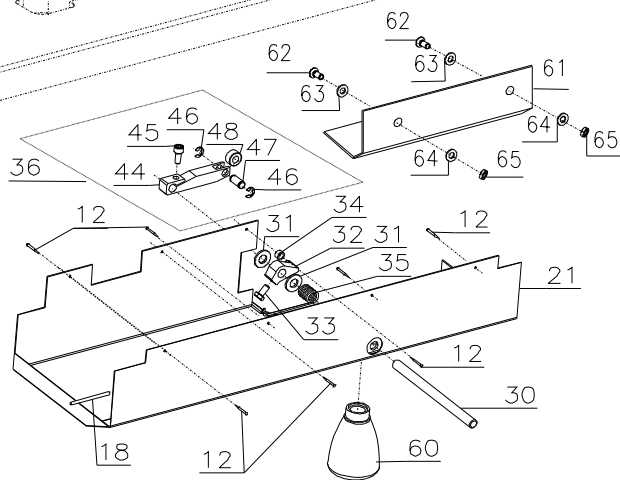
4



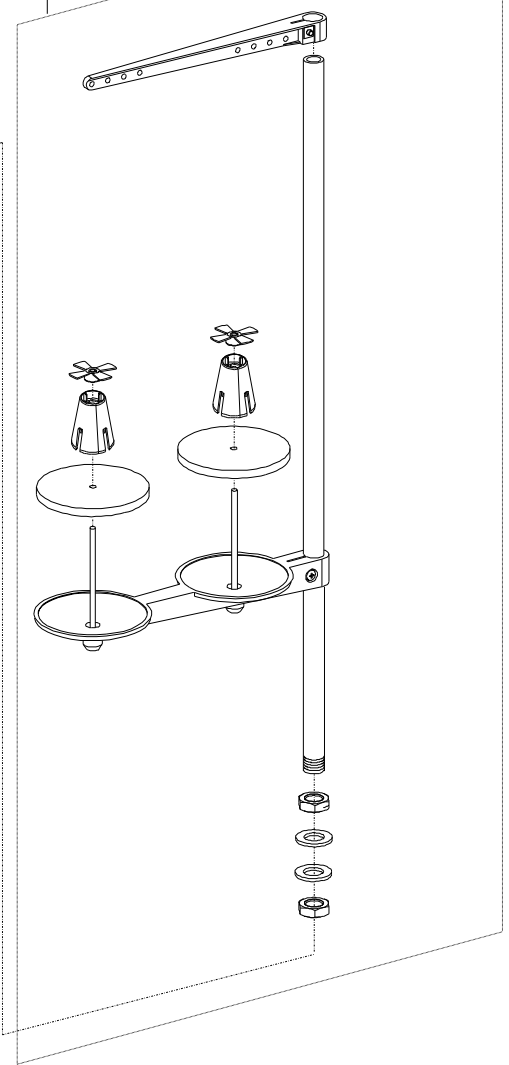
52



22



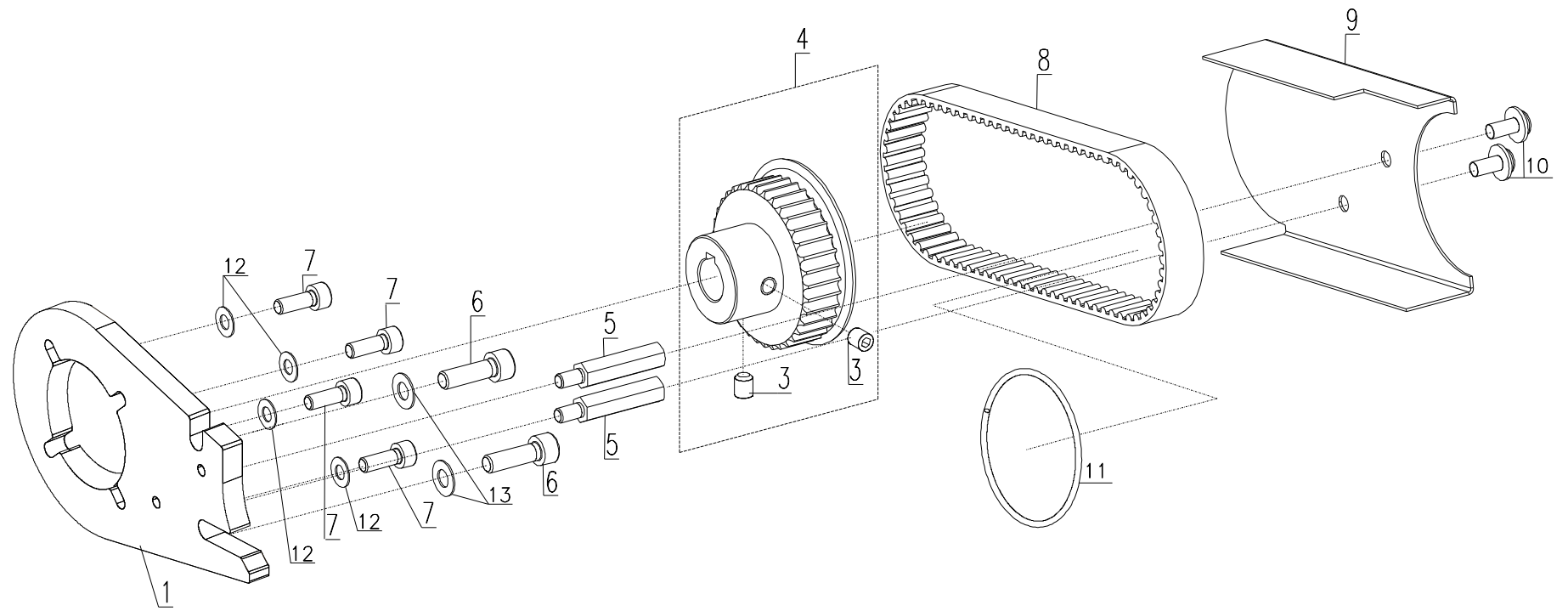
25



## M 255

Pos. Det.	Dílce č. Part No.	Název	Denomination
4	0APP 000301	KRYT	COVER
8	0907 010050	VLOŽKA	INSERT
9	S273 940127	VLOŽKA	INSERT
12	9840 123002	HŘEB	NAIL
13	S321 026000	ČEPIČKA 16 x 26	CAP 16 x 26
15	S345 172000	KABEL. PŘÍCHYTKA	CABLE CLIP
17	S615 932046	KOLÍK	PIN
18	S708 130003	KNOT MAZACÍ	WICK LUBRICATING
21	S980 057274	OLEJOVÁ VANA ÚPLNÁ	OIL TRAY CPL.
22	S981 094058	ELEKTROINSTALAČNÍ MATERIÁL	MATERIAL OF EL.INSTALATION
23	S080 823149	ZÁVĚS	HANGER
25	S981 036162	NIŤ. STOJÁNEK PRO JEDNOJEHL. ST.	THREAD STAND FOR SINGLE-NEEDLE MACHINES
30	S080 314210	HŘÍDEL	SHAFT
31	S080 941107	KROUŽEK	RING
32	S080 625022	NARÁŽKA	STOP
33	S080 141141	ŠROUB	SCREW
34	S283 068001	HADIČKA PVC	HOSE PVC
35	S315 264339	PRUŽINA	SPRING
36	S981 027603	PÁKA ÚPLNÁ	LEVER CPL.
44	S080 625186	PÁKA	LEVER
45	S080 120295	ŠROUB	SCREW
46	S311 732060	POJIŠŤOVACÍ KROUŽEK	RETAINING RING
47	S080 318238	ČEP	PIN
48	S080 418183	KLADKA	ROLLER
52		Dokumentace dle typu stroje	Documentation of the machine type
60	0052 000369	OLEJNIČKA	OIL CAN
61	S080 831722	KRYT	COVER
62	9201 112877	ŠROUB	SCREW
63	9330 700107	PODLOŽKA	WASHER
64	9330 000098	PODLOŽKA	WASHER
65	9231 110108	MATICE	NUT

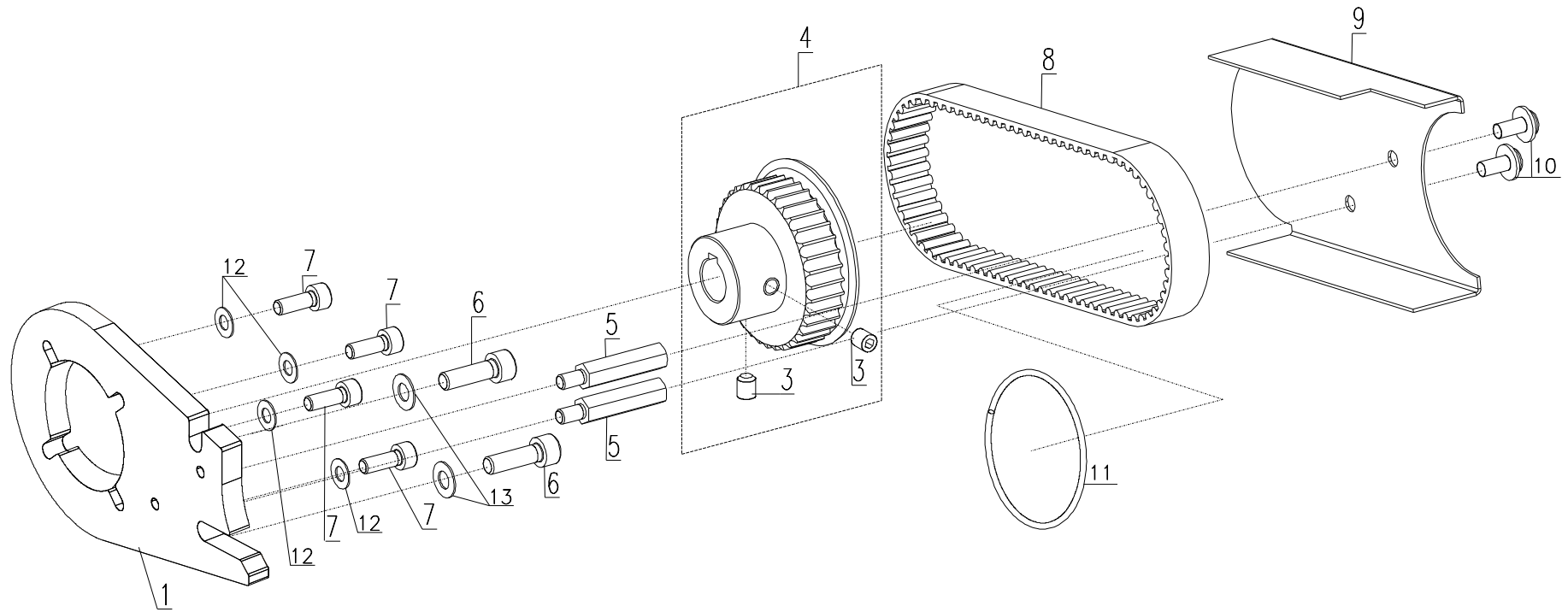
Pos. Det.	Dílce č. Part No.	Název	Denomination
--------------	----------------------	-------	--------------



## M 300

Pos. Det.	Dílec č. Part No.	Název	Denomination
1	S080 836501	DRŽÁK	HOLDER
3	9205 102478	ŠROUB	SCREW
4	S981 045566	ŘEMENICE ÚPLNÁ	PULLEY CPL.
5	S080 146066	ŠROUB	SCREW
6	9202 002908	ŠROUB	SCREW
7	9202 002508	ŠROUB	SCREW
8	9130 221140	OZUBENÝ ŘEMEN	TOOTHED BELT
9	S080 831710	KRYT	COVER
10	S309 000510	ŠROUB	SCREW
11	S080 274152	KROUŽEK	RING
12	S080 190359	PODLOŽKA	WASHER
13	S080 190346	PODLOŽKA	WASHER

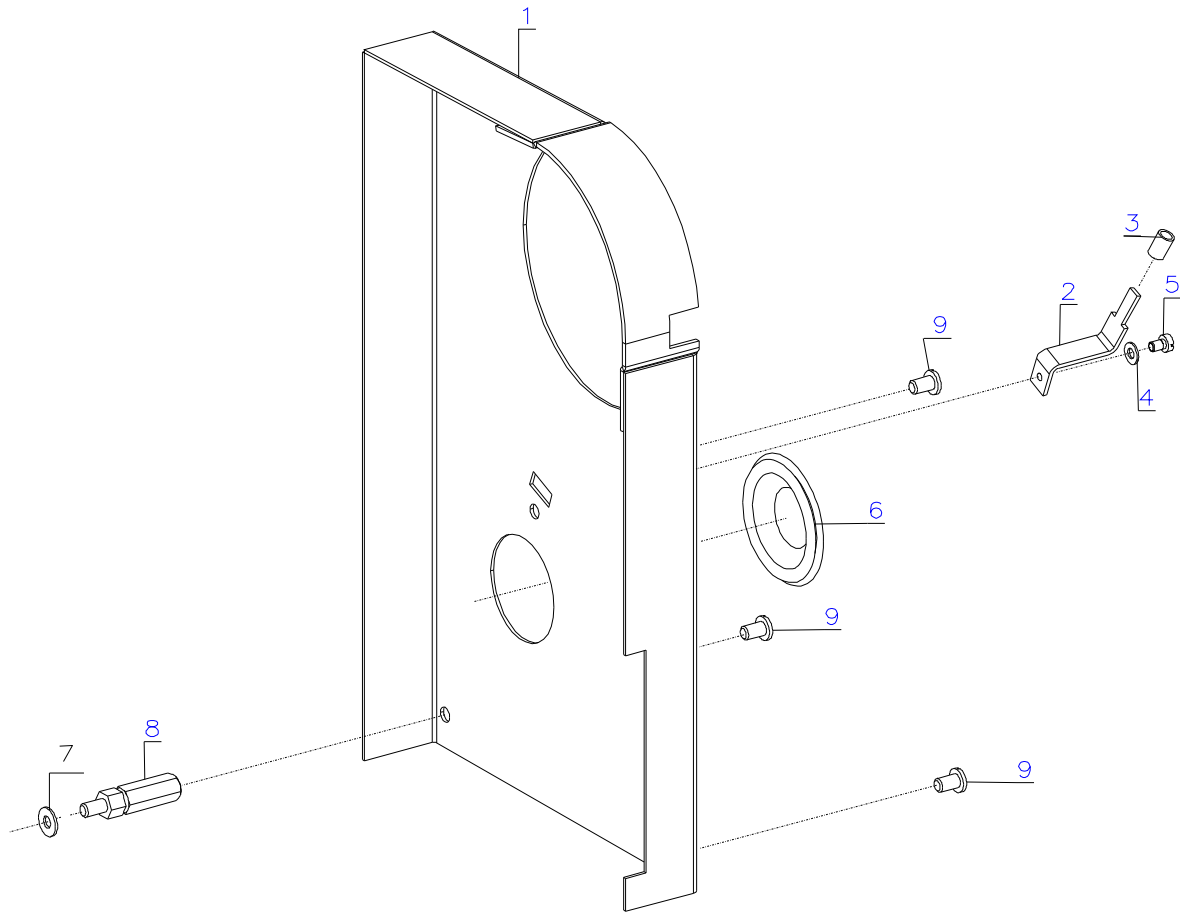
Pos. Det.	Dílec č. Part No.	Název	Denomination
--------------	----------------------	-------	--------------



## M 556

Pos. Det.	Dílce č. Part No.	Název	Denomination
1	S080 836501	DRŽÁK	HOLDER
3	9205 102478	ŠROUB	SCREW
4	S981 045585	ŘEMENICE ÚPLNÁ	PULLEY CPL.
5	S080 146066	ŠROUB	SCREW
6	9202 002908	ŠROUB	SCREW
7	9202 002508	ŠROUB	SCREW
8	9130 221160	OZUBENÝ ŘEMEN	TOOTHED BELT
9	S080 831710	KRYT	COVER
10	S309 000510	ŠROUB	SCREW
11	S080 274152	KROUŽEK	RING
12	S080 190359	PODLOŽKA	WASHER
13	S080 190346	PODLOŽKA	WASHER

Pos. Det.	Dílce č. Part No.	Název	Denomination
--------------	----------------------	-------	--------------

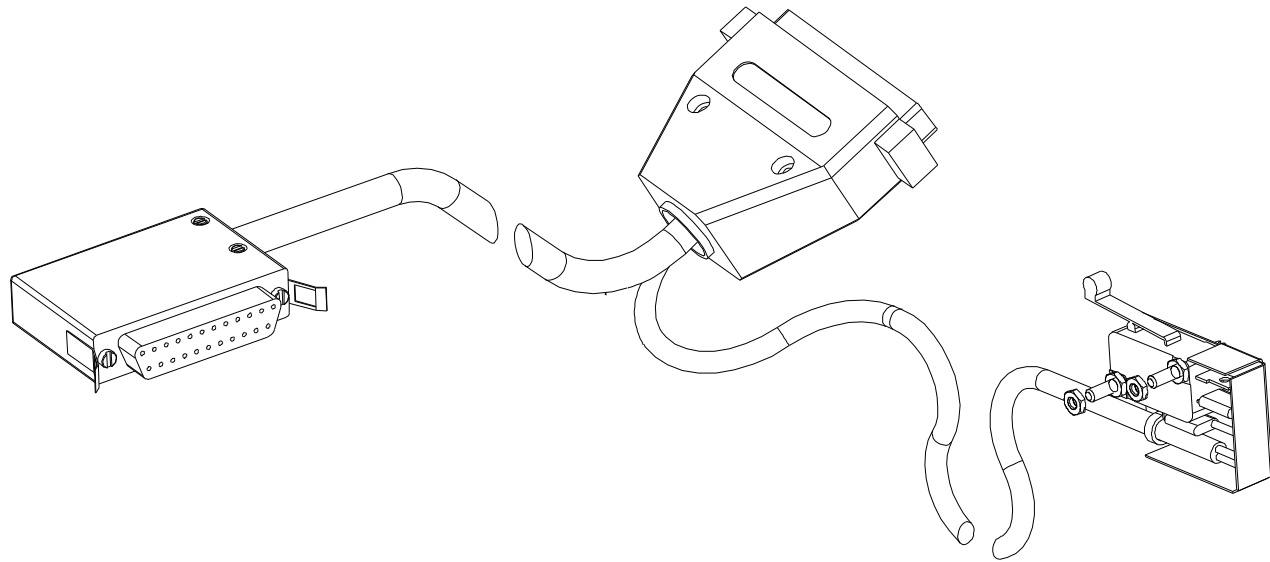




## M 561

Pos. Det.	Dílec č. Part No.	Název	Denomination
1	S980 057273	KRYT ÚPLNÝ	COVER CPL.
2	S080 839323	ZARÁŽKA	STOP
3	S283 002001	HADIČKA	HOSE
4	9330 000087	PODLOŽKA	WASHER
5	S080 120409	ŠROUB	SCREW
6	S321 833821	ZÁTKA	PLUG
7	S080 191120	PODLOŽKA	WASHER
8	S080 146058	ŠROUB	SCREW
9	S080 123117	ŠROUB	SCREW

Pos. Det.	Dílec č. Part No.	Název	Denomination
--------------	----------------------	-------	--------------

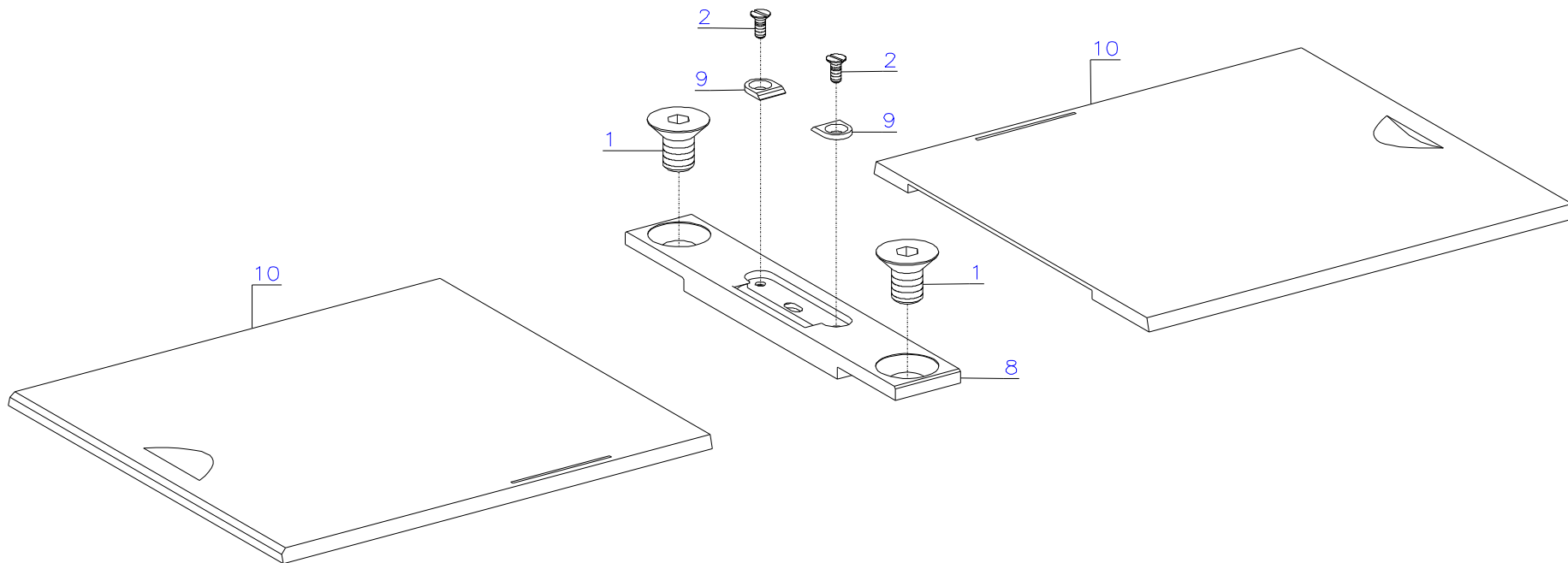


M 558

Pos. Det.	Dílce č. Part No.	Název	Denomination
	.....S980 000558 .....	PROPOJOVACÍ KABEL .....	CONNECTING CABLE

Pos. Det.	Dílce č. Part No.	Název	Denomination
--------------	----------------------	-------	--------------

M 081

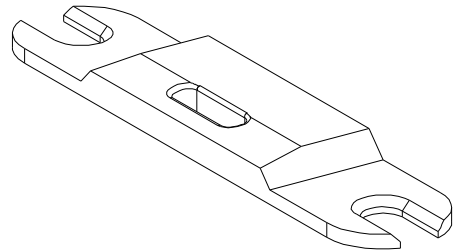


## M 081

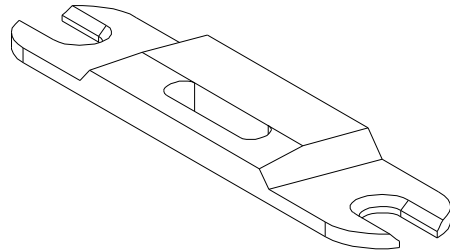
Pos. Det.	Dílce č. Part No.	Název	Denomination
	.....S980 000081 .....	STEHOVÁ DESKA KOMPLETNÍ .....	THROAT PLATE CPL.
1	.....S309 799610 .....	ŠROUB .....	SCREW
2	.....S080 126184 .....	ŠROUB .....	SCREW
8	.....S080 811774 .....	STEHOVÁ DESKA .....	THROAT PLATE
9	.....S080 826382 .....	PŘÍLOŽKA .....	SPLICE
10	.....S080 812197 .....	DESKA .....	PLATE

Pos. Det.	Dílce č. Part No.	Název	Denomination
--------------	----------------------	-------	--------------

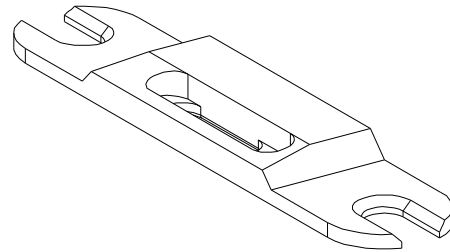
M 101



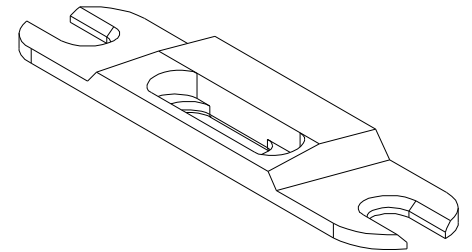
M 102



M 103



M 104

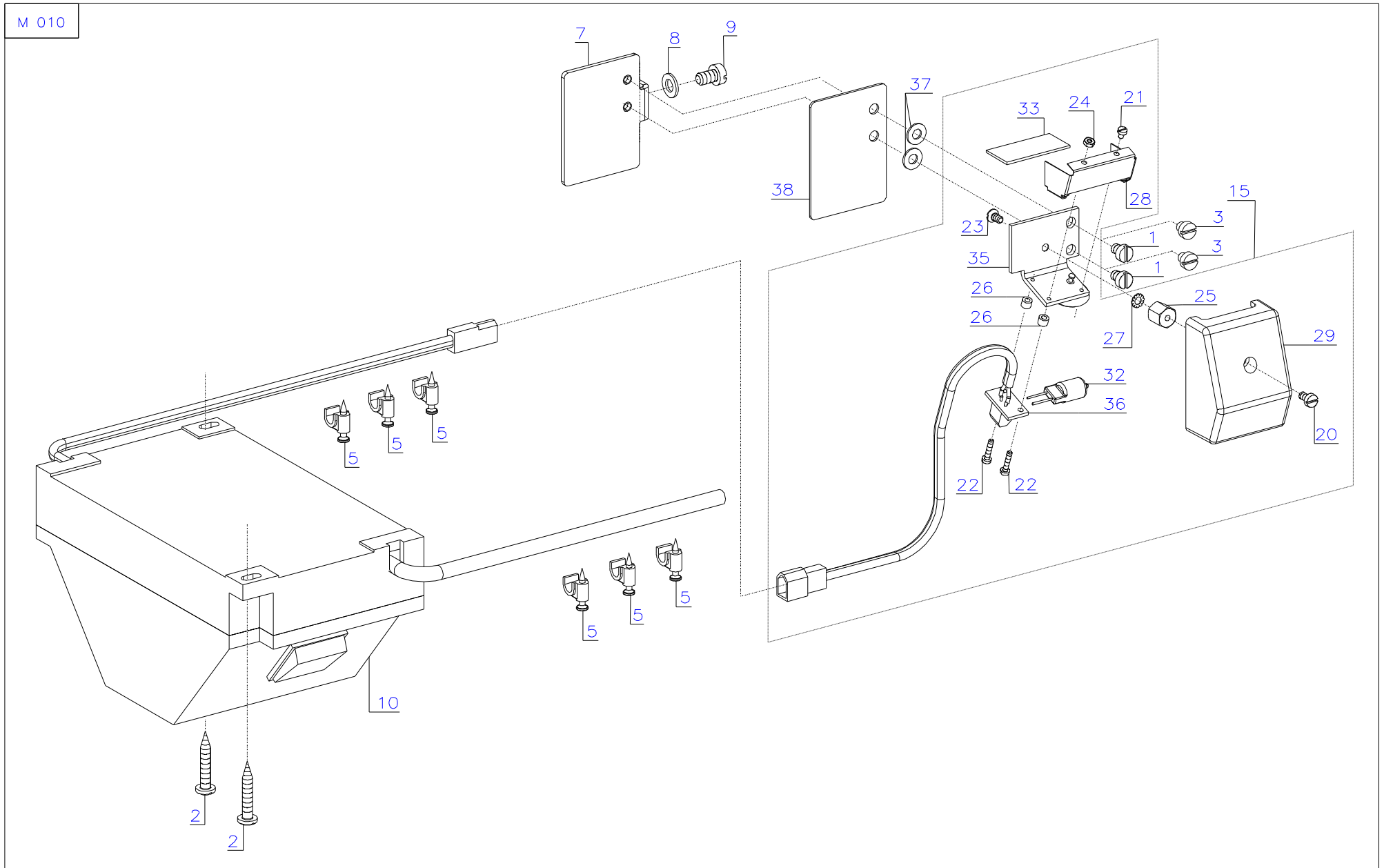


M 101 M 102 M 103 M 104

Pos. Det.	Dílce č. Part No.	Název	Denomination
M 101	.....S980 000101 .....	VLOŽKA STEHOVÉ DESKY .....	THROAT PLATE INSERT
M 102	.....S980 000102 .....	VLOŽKA STEHOVÉ DESKY .....	THROAT PLATE INSERT
M 103	.....S980 000103 .....	VLOŽKA STEHOVÉ DESKY .....	THROAT PLATE INSERT
M 104	.....S980 000104 .....	VLOŽKA STEHOVÉ DESKY .....	THROAT PLATE INSERT

Pos. Det.	Dílce č. Part No.	Název	Denomination
--------------	----------------------	-------	--------------

M 010

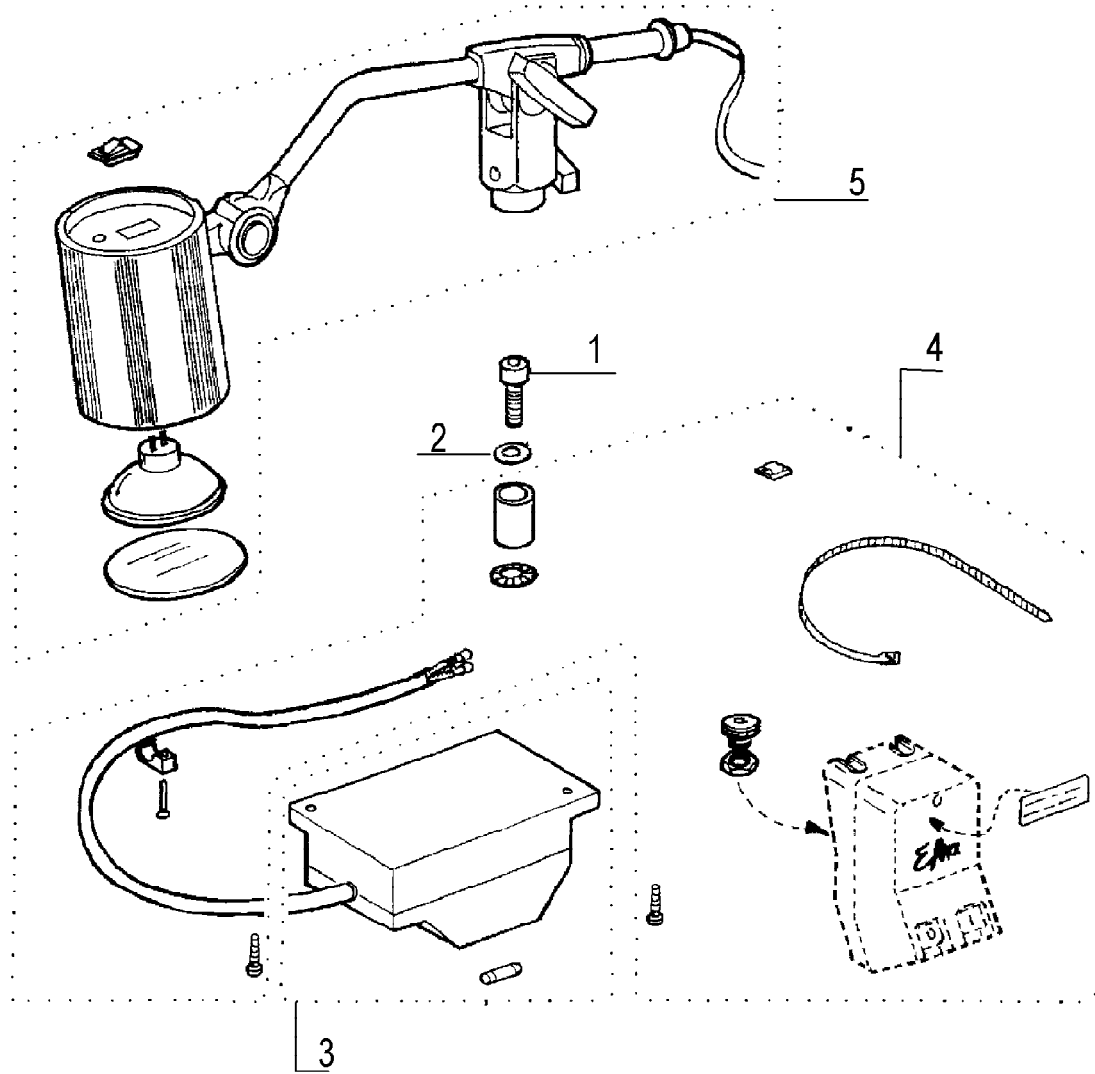




## M 010

Pos. Det.	Dílce č. Part No.	Název	Denomination
	S980 000010	OSVĚTLENÍ	LIGHTING
1	S080 120218	ŠROUB M4 x 6	SCREW M4 x 6
2	S311 400026	VRUT	SCREW
3	S080 120332	ŠROUB M4 x 4	SCREW M4 x 4
5	S345 012000	KABEL. PŘÍCHYTKA KPNC	CABLE CLIP
7	S080 839332	DRŽÁK SVĚTLA	HOLDER OF LIGHT
8	S080 190359	PODLOŽKA	WASHER
9	S080 120259	ŠROUB M5 x 8	SCREW M5 x 8
10	S980 094025	TRANSFORMÁTOR OSVĚTLENÍ	TRANSFORMER OF LIGHTING
15	S981 090091	SVĚTLO	LIGHT
20	S080 120245	ŠROUB M3 x 6	SCREW M3 x 6
21	S080 120339	ŠROUB M2 x 3	SCREW M2 x 3
22	S080 120363	ŠROUB M2 x 10	SCREW M2 x 10
23	S080 126065	ŠROUB M3 x 6	SCREW M3 x 6
24	S080 161201	MATICE	NUT
25		VIZ POS. 15	SEE 15
26		VIZ POS. 15	SEE 15
27		VIZ POS. 15	SEE 15
28		VIZ POS. 15	SEE 15
29	S321 952448	KRYT OSVĚTLENÍ	COVER OF LIGHTING
32	S347 064415	ŽÁROVKA 12V/10W	BULB 12V/10W
33	S632 953285	KRYCÍ SKLO	COVER GLASS
35		VIZ POS. 15	SEE 15
36	S980 094016	DRŽÁK ŽÁROVKY	HOLDER OF BULB
37	S080 190369	PODLOŽKA	WASHER
38	S080 815304	PODLOŽKA	WASHER

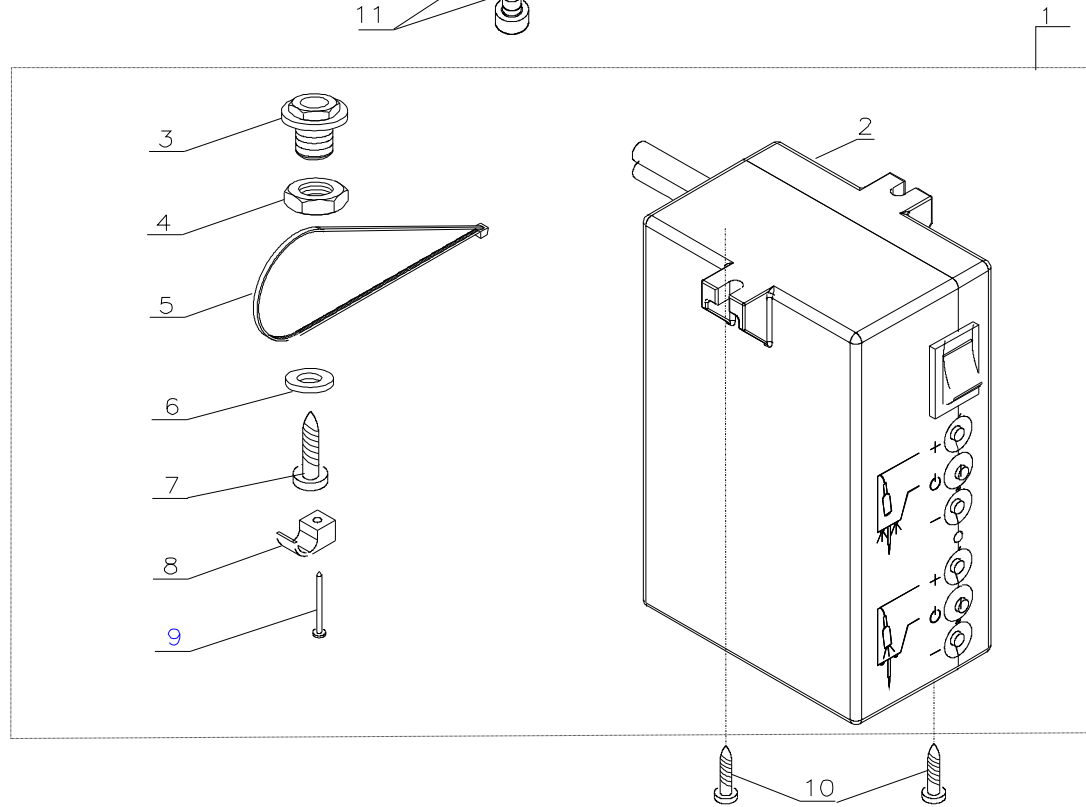
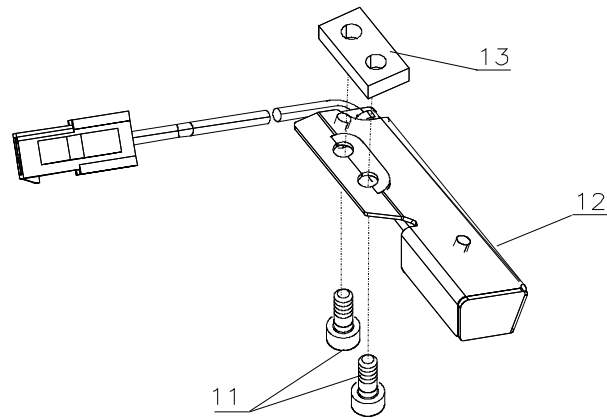
Pos. Det.	Dílce č. Part No.	Název	Denomination
--------------	----------------------	-------	--------------



Z 012

Pos. Det.	Dílce č. Part No.	Název	Denomination
	.....S794 222012 .....	OSVĚTLENÍ HALOGEN .....	LIGHTING HALOGEN
1	.....S080 120692 .....	ŠROUB .....	SCREW
2	.....S080 190346 .....	PODLOŽKA .....	WASHER
3	.....0798 500088 .....	TRANSFORMÁTOR OSVĚTLENÍ .....	TRANSFORMER OF LIGHTING
4	.....0907 487519 .....	SADA DÍLCŮ .....	SET OF PARTS
5	.....9822 510001 .....	OSVĚTLENÍ .....	LIGHT

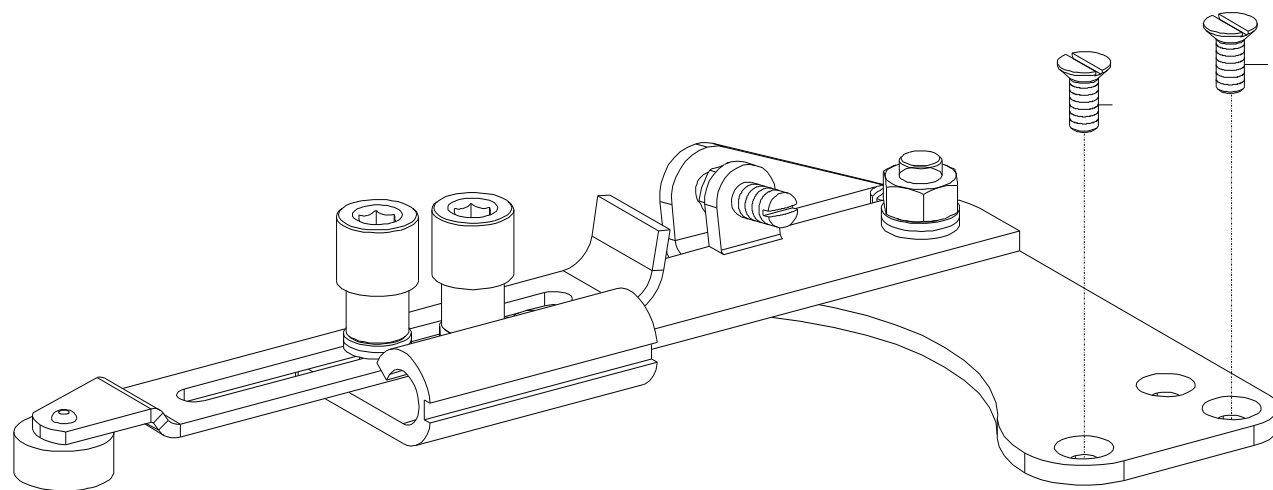
Pos. Det.	Dílce č. Part No.	Název	Denomination
--------------	----------------------	-------	--------------



## M 586

Pos. Det.	Dílce č. Part No.	Název	Denomination
1	9850 001089	ZDROJ K	POWER SUPPLY K
2	9850 001083	ZDROJ	POWER SUPPLY
3	9840 133012	VSUVKA	BUSHING
4	9840 135012	MATICE	NUT
5	9840 121001	PÁSKA	BAND
6	9330 000087	PODLOŽKA	WASHER
7	9207 170437	ŠROUB	SCREW
8	9840 120003	SPONA	CLIP
9	9840 123003	HŘEBÍK	NAIL
10	9207 170227	ŠROUB	SCREW
11	9202 002077	ŠROUB	SCREW
12	S980 094111	LED OSVĚTLENÍ	LED LIGHTING
13	S080 815330	PODLOŽKA	WASHER

Pos. Det.	Dílce č. Part No.	Název	Denomination
--------------	----------------------	-------	--------------

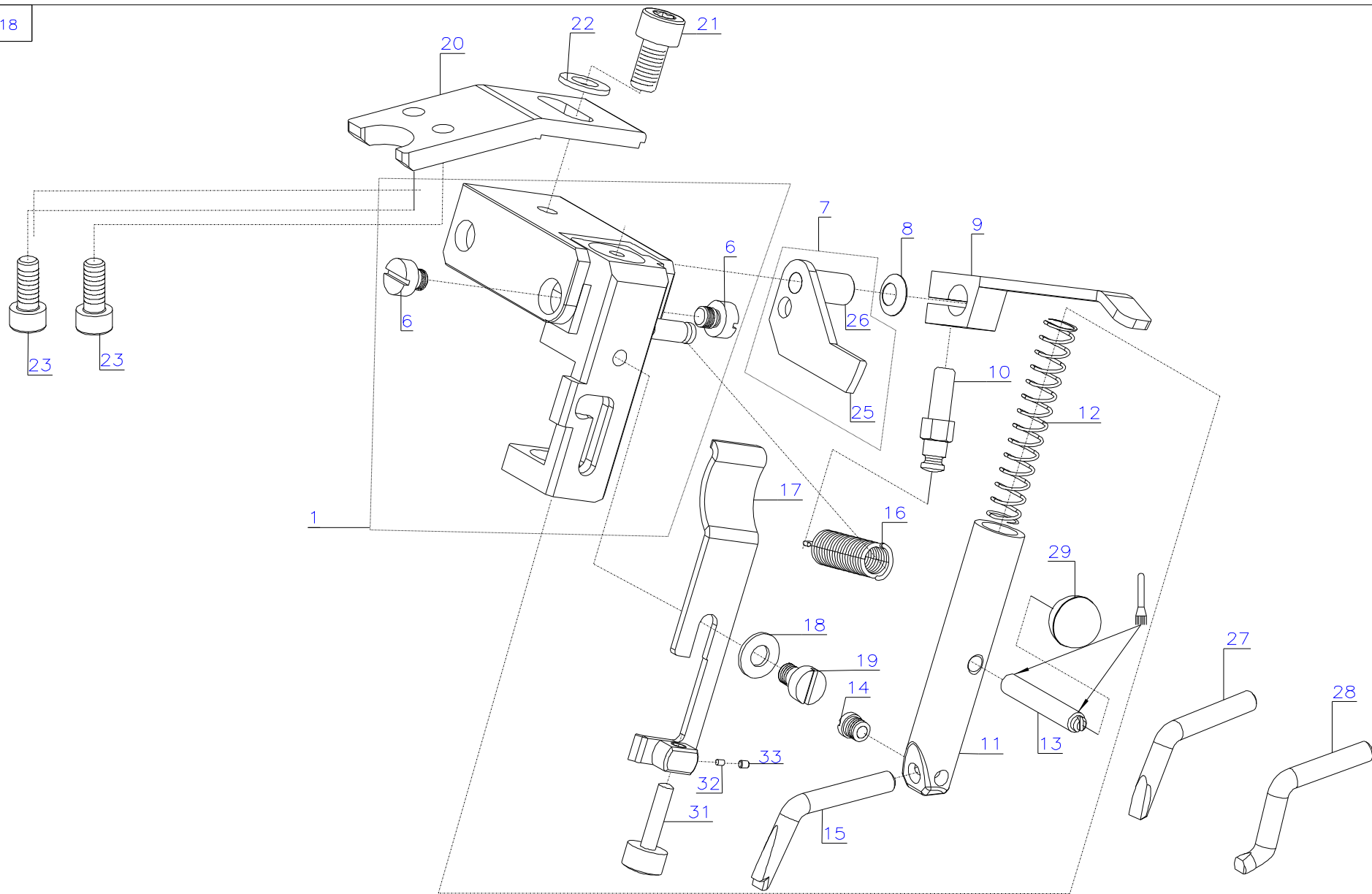


M 198

Pos. Det.	Dílec č. Part No.	Název	Denomination
	.....S980 000198 .....	VODIČ DÍLA .....	SEWN WORK GUIDE

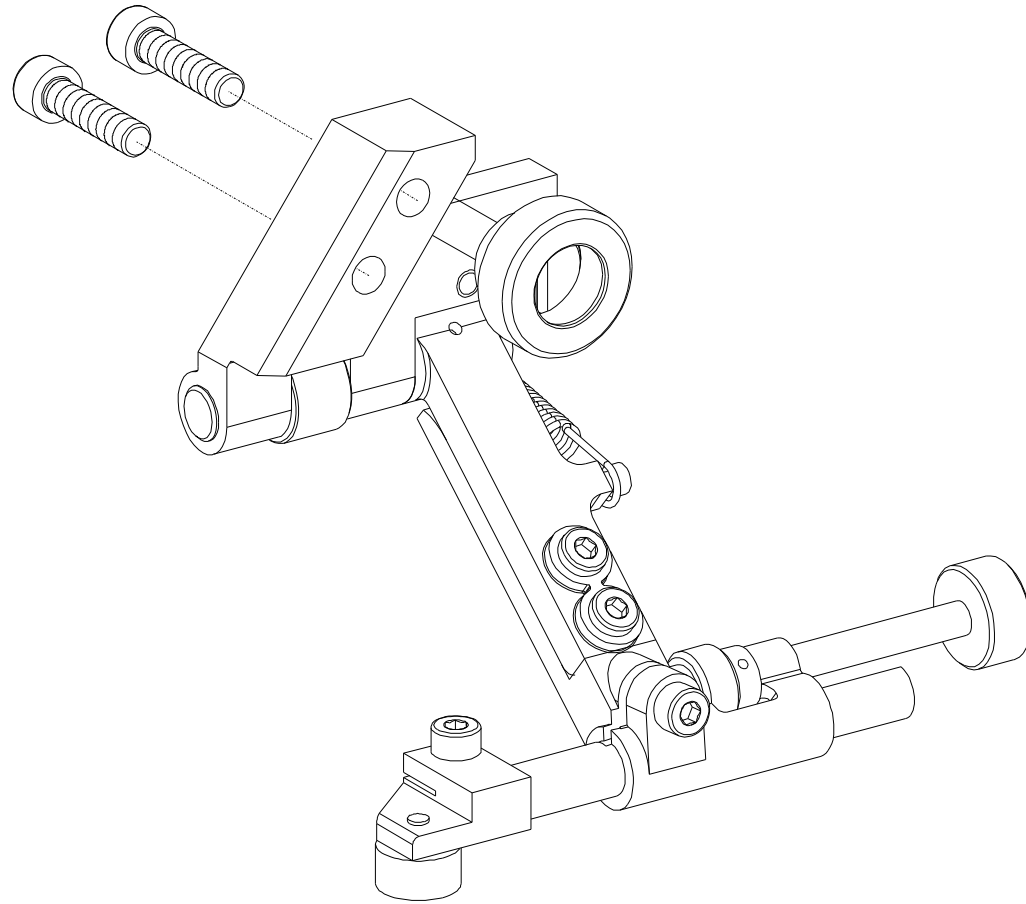
Pos. Det.	Dílec č. Part No.	Název	Denomination
--------------	----------------------	-------	--------------

M 018









M 149

Pos.	Dílec č.	Název
Det.	Part No.	Denomination
.....	S980 000149 .....	VODIČ DÍLA ..... SEWN WORK GUIDE

Pos.	Dílec č.	Název
Det.	Part No.	Denomination

M 020



M 021



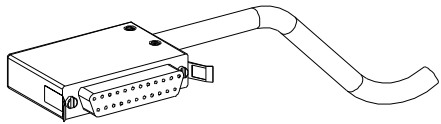
M 022



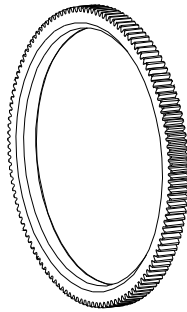
M 023



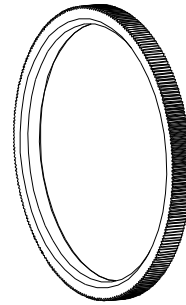
M 055



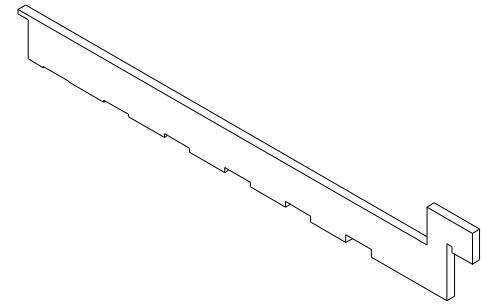
M 082



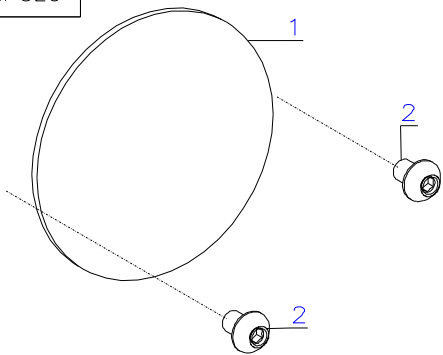
M 083



M 242



M 520

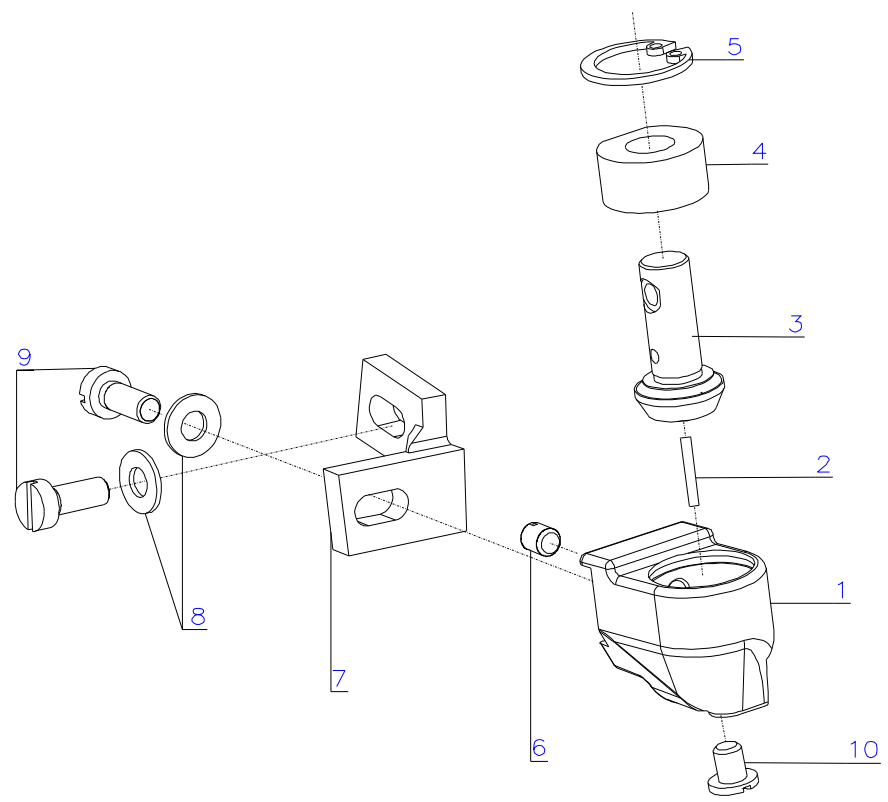


M 020 M 021 M 022 M 023 M 055 M 082 M 083 M 242 M 520

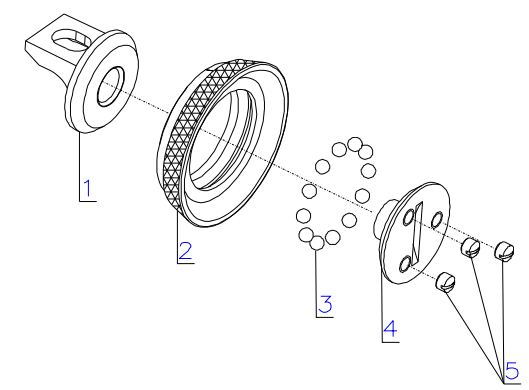
Pos. Det.	Dílce č. Part No.	Název	Denomination
M 020	.....S548 134013 .....	JEHLA 134 LR č. 80 .....	NEEDLE 134 LR No. 80
M 021	.....S548 000311 .....	JEHLA 134 KKLR č. 130 .....	NEEDLE 134 KKLR No. 130
M 022	.....S548 000320 .....	JEHLA 134 KKLR č. 160 .....	NEEDLE 134 KKLR No. 160
M 023	.....S548 134001 .....	JEHLA 134 LR č. 100 .....	NEEDLE 134 LR No. 100
M 055	.....S980 000055 .....	PROPOJOVACÍ KABEL .....	CONNECTING CABLE
M 082	.....S980 000082 .....	PODAVAČ 1,2 .....	FEEDING WHEEL 1.2
M 083	.....S980 000083 .....	PODAVAČ 0,6 .....	FEEDING WHEEL 0.6
M 242	.....S980 000242 .....	SEŘIZOVACÍ MĚRKA .....	ADJUSTABLE GAUGE
M 520	.....S980 000520 .....	DÍLCE PRO STROJ BEZ ODSTŘIHU .....	PARTS FOR MACHINE WITHOUT TRIMMING
1	.....S080 814483 .....	VÍKO .....	COVER
2	.....S309 738406 .....	ŠROUB .....	SCREW

Pos. Det.	Dílce č. Part No.	Název	Denomination

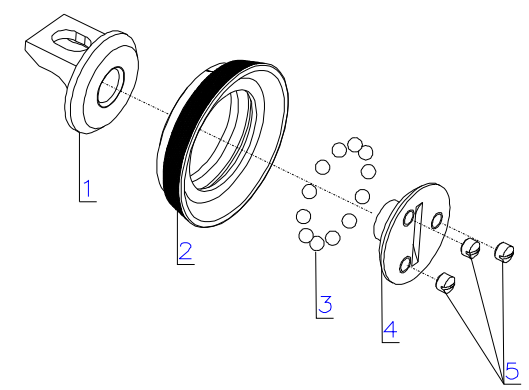
M 156



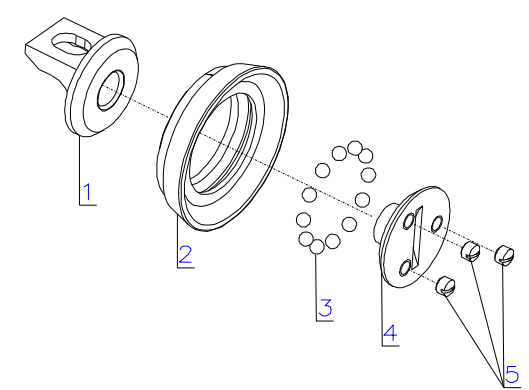
M 172



M 174

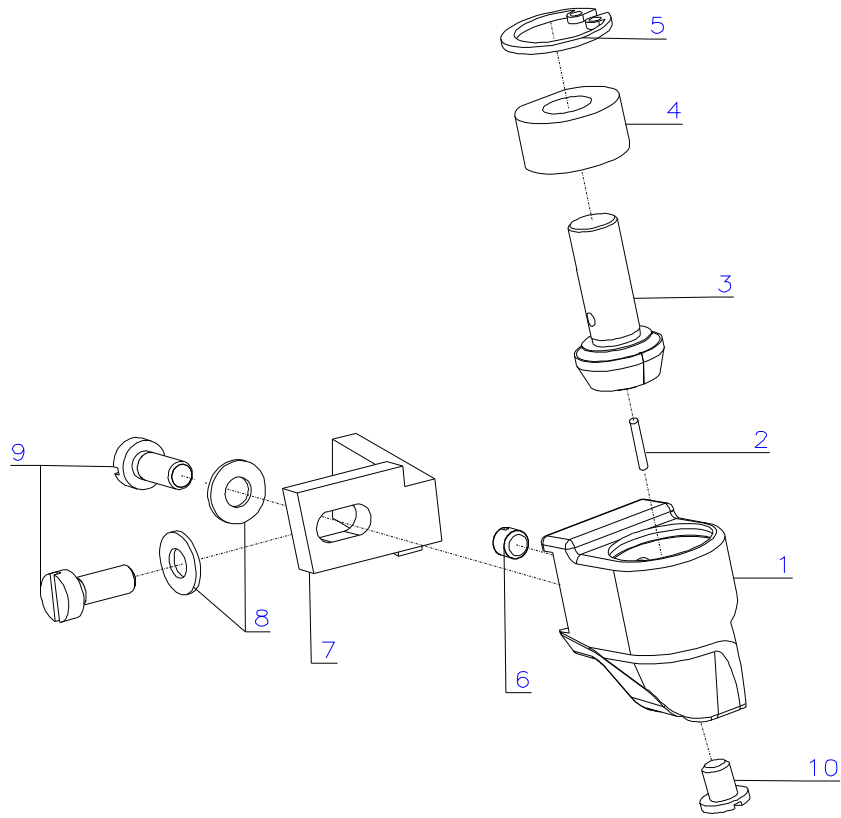


M 310

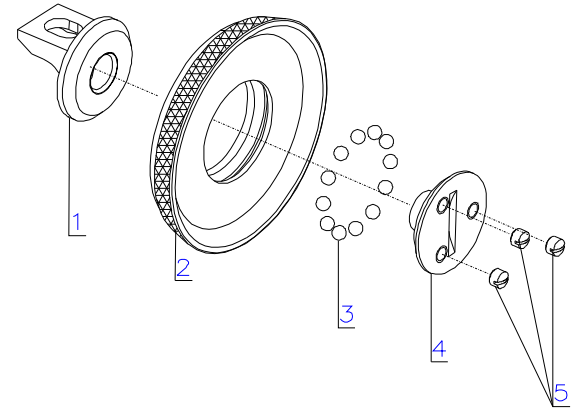




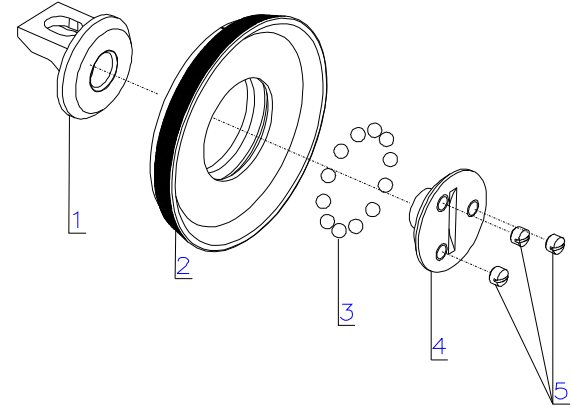
M 157



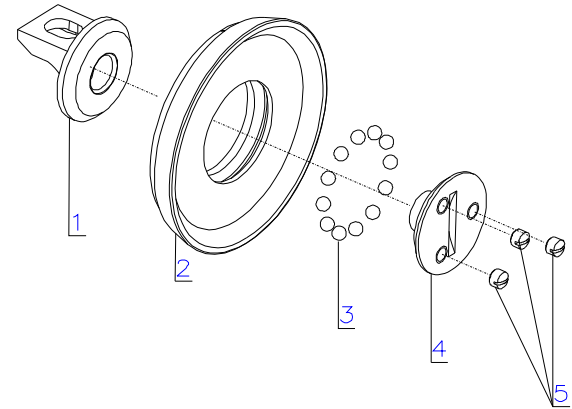
M 173



M 175



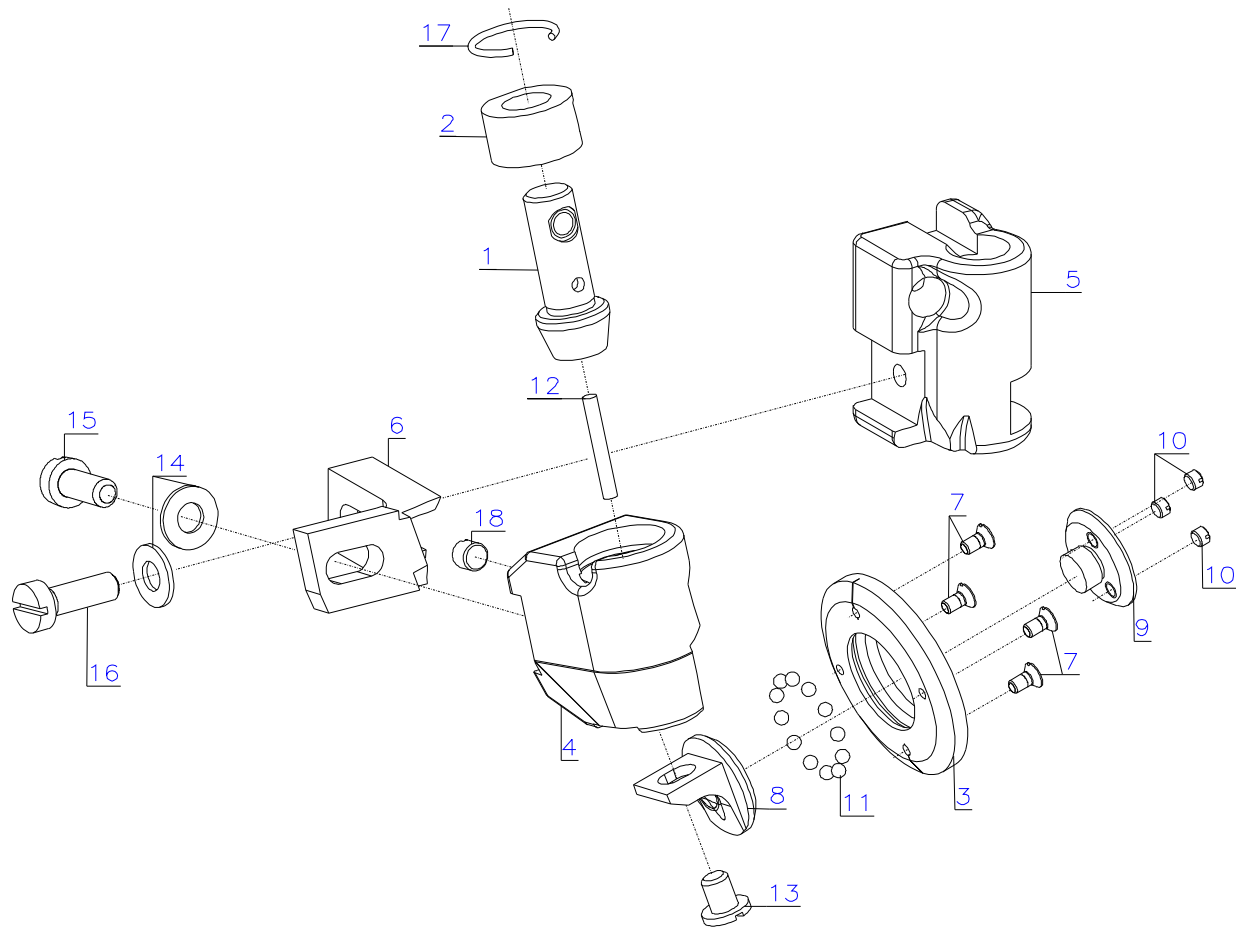
M 311



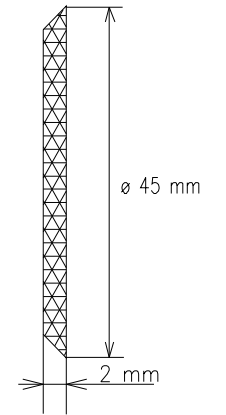
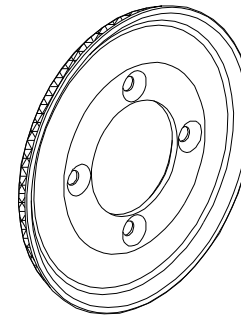




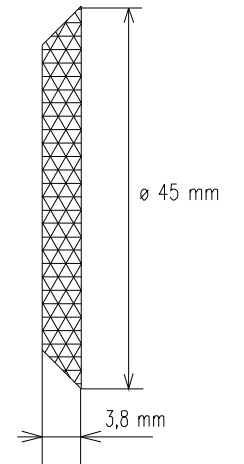
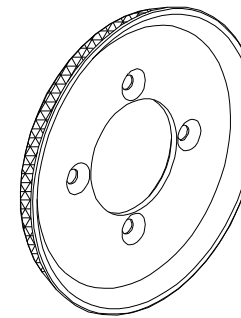
M 295



M 296



M 297



## M 295 M 296 M 297

Pos. Det.	Díllec č. Part No.	Název	Denomination
M 295	..... S980 000295	DRŽÁK KOLEČKOVÉ PATKY	HOLDER FOR THE TOP ROLLER
1	..... S080 555048	PASTOREK	PINION
2	..... S080 410693	POUZDRO	CASE
3	..... S080 561064	OZUBENÉ KOLO	TOOTHED WHEEL
4	..... VIZ S980 000295	VIZ S980 000295	VIZ S980 000295
5	..... S080 646494	OBJÍMKA DRŽÁKU	SLEEVE OF HOLDER
6	..... VIZ S980 000295	VIZ S980 000295	VIZ S980 000295
7	..... S080 126189	ŠROUB	SCREW
8	..... S080 452051	DRŽÁK	HOLDER
9	..... S080 441679	ŠROUB	SCREW
10	..... S080 111303	ŠROUB	SCREW
11	..... S324 020052	KULIČKA	BALL
12	..... VIZ S980 000295	VIZ S980 000295	VIZ S980 000295
13	..... S080 132240	ŠROUB	SCREW
14	..... S080 190353	PODLOŽKA	WASHER
15	..... S080 120226	ŠROUB	SCREW
16	..... S080 120227	ŠROUB	SCREW
17	..... S311 732014	POJ.KROUŽEK	RETAINING RING
18	..... S080 111212	ŠROUB	SCREW
M 296	..... S980 000296	KOLEČKO ø 45 mm	WHEEL ø 45 mm
M 297	..... S980 000297	KOLEČKO ø 45 mm	WHEEL ø 45 mm

Pos. Det.	Díllec č. Part No.	Název	Denomination