
PFAFF[®]

**MAUSER
SPEZIAL** **9732**

Bestandteileliste

List of spare parts

Liste de pièces détachées

Lista de piezas de repuesto

Achtung!

Ersatzteile bitte nur mit den im Index aufgeführten **PFAFF-NUMMERN** Bestellen (siehe Seiten 104 bis 109).

Important!

Veillez commander les pièces de rechange uniquement avec leur référence complète précisée à l'index (pages 104 à 109).

Important note:

For spare part orders please only use the **PFAFF-NUMBERS** listed in the index (pages 104 to 109).

Atencion!

Sírvanse hacer sus pedidos sólo con los **NUMEROS-PFAFF** indicados en el índice (véanse las páginas 104 à 109).

TABLE OF CONTENTS

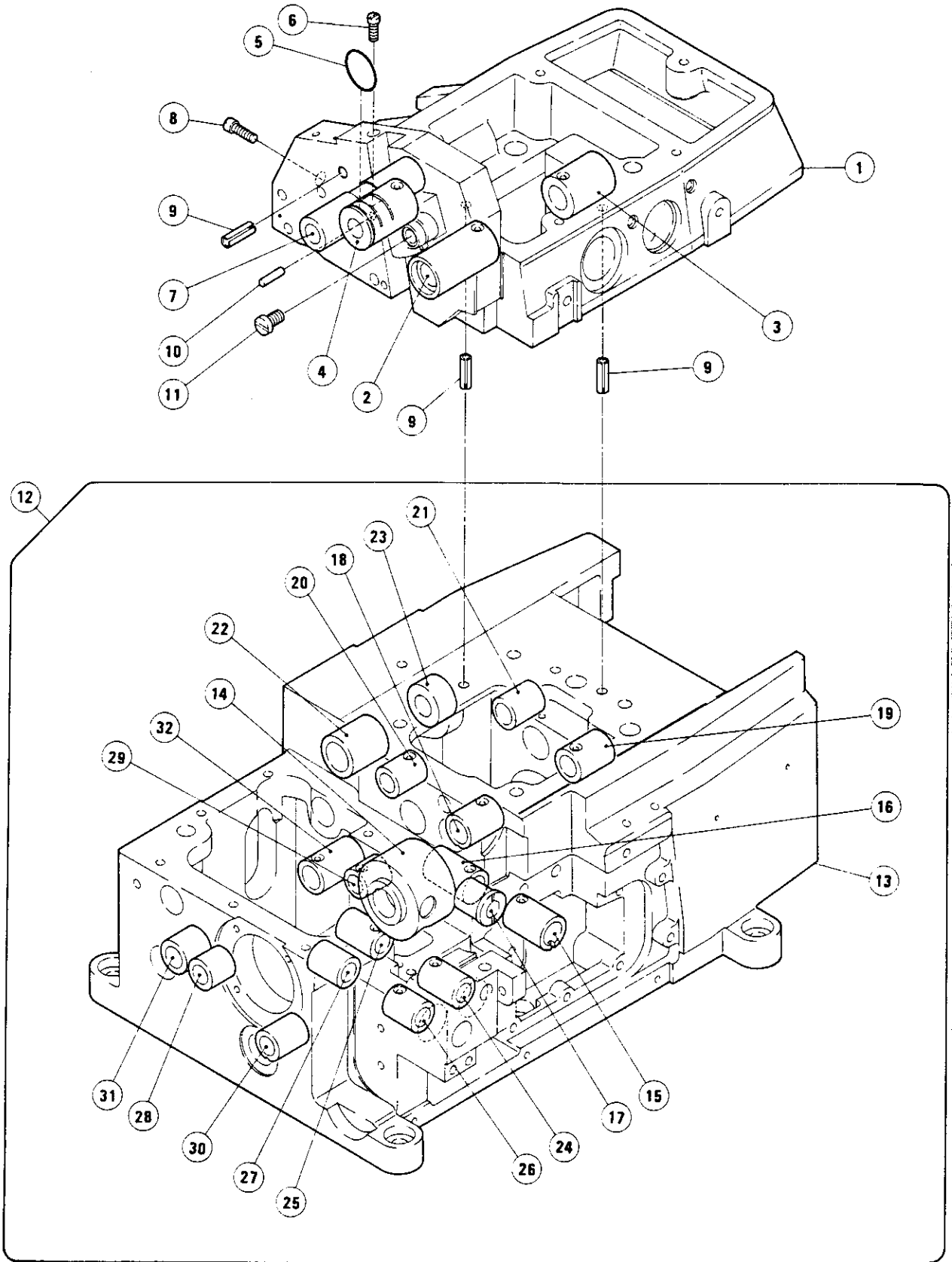
	Page
MACHINE BED FRAME(1)~(2)	2~5
COVERS(1)~(2)	6~9
CRANKSHAFT DRIVE MECHANISM(1)~(2)	10~13
NEEDLE DRIVE MECHANISM(1)~(2)	14~17
UPPER LOOPER DRIVE MECHANISM(1)~(2)	18~21

LOWER LOOPER DRIVE MECHANISM	22~23
CHAINSTITCH LOOPER DRIVE MECHANISM(1)~(2)	24~27
FEED MECHANISM(1)~(2)	28~31
TOP FEED MECHANISM(1)~(2)	32~35
KNIFE DRIVE MECHANISM	36~37
PRESSER FOOT MECHANISM	38~39

LUBRICATING MECHANISM	40~41
LUBRICATING MECHANISM(OLD TYPE)	42~43
H.R. DEVICE	44~45
SHIRRING ATTACHMENT	46~47
K L DEVICE	48~49

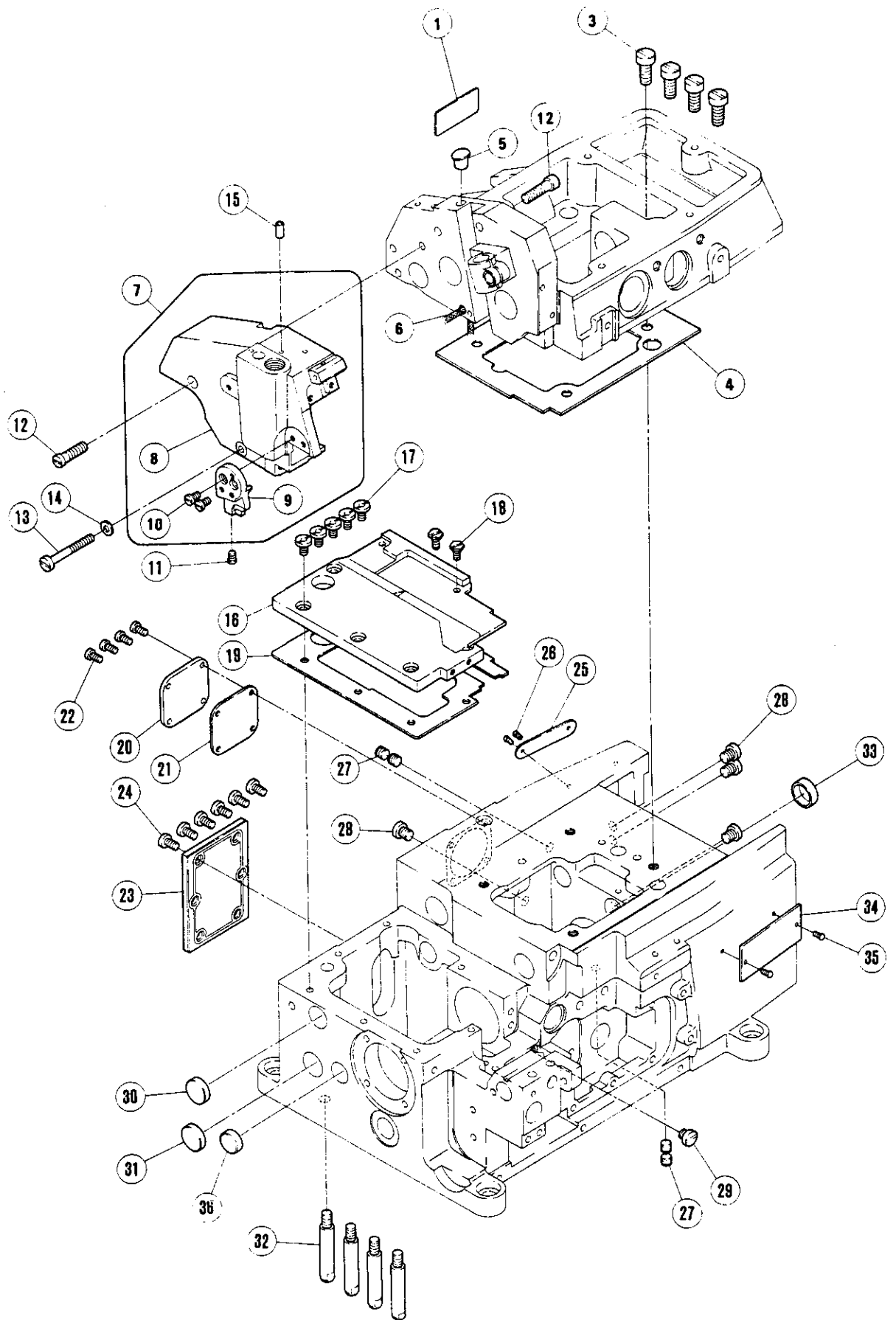
EDGE GUIDE PIPING ATTACHMENT	50~51
SEMI-SUBMERGED INSTALLATION	52~53
ACCESSORIES	54~55
THREAD STAND	56~57
GAUGE PARTS CONSTRUCTION CHART	58~91

GAUGE PARTS LIST(1)~(11)	92~102
PART NUMBER INDEX	104~109



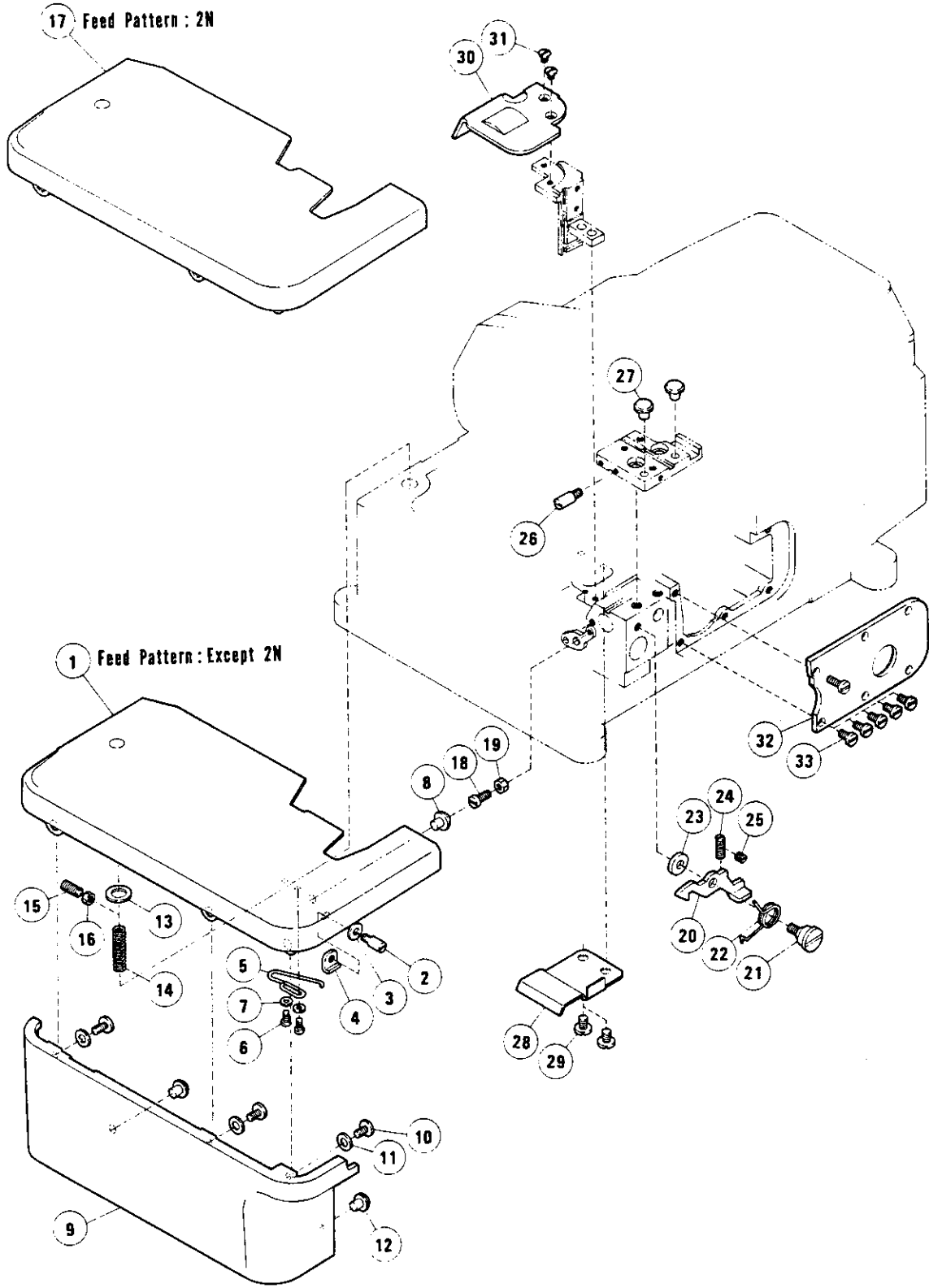
MACHINE BED FRAME(1)

REF. NO.	PART NO.	NAME	QT.	MEMO
1	212001-CD	MACHINE ARM (RIGHT)	1	
2	210234	BUSHING	1	
3	210233	BUSHING	1	
4	210242	BUSHING	1	
5	210057	O RING	1	
6	2133-1	SCREW	1	
7	212048	BUSHING	1	
8	2133-1	SCREW	1	
9	201002	PIN	3	
10	211385	PIN	1	
11	5357	SCREW	1	
*12	212000-CD	MACHINE BED COMPLETE	1	
*13	212329-CD	MACHINE BED	1	
14	211533	BUSHING	1	
15	210101	BUSHING	1	
16	210102	BUSHING	1	
17	210110	BUSHING	1	
18	210068	BUSHING	1	
19	210067	BUSHING	1	
20	212154	BUSHING	1	
21	210297	BUSHING	1	
22	212037	BUSHING	1	
23	212038	BUSHING	1	
24	210124	BUSHING	1	
25	210125	BUSHING	1	
26	210296	BUSHING	1	
27	210297	BUSHING	1	
28	210292	BUSHING	1	
29	252005	BUSHING	1	
30	210164	BUSHING	1	
31	210143	BUSHING	1	
32	210102	BUSHING	1	



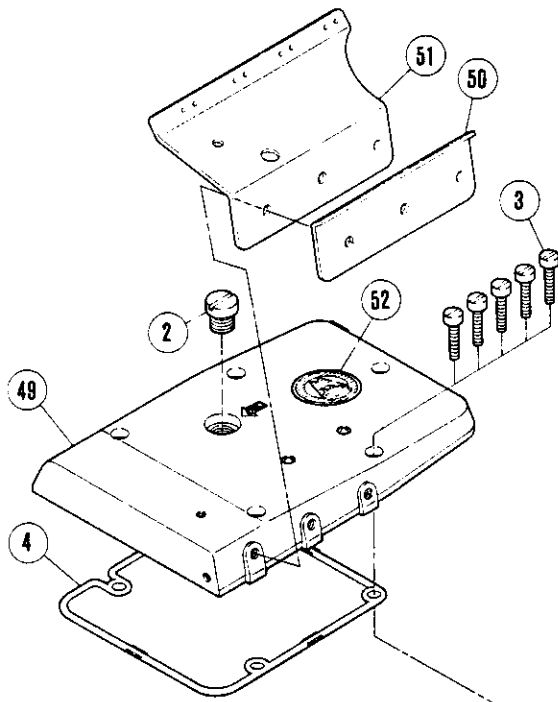
MACHINE BED FRAME(2)

REF. NO.	PART NO.	NAME	QT.	MEMO
1	205724	NAME PLATE	1	
3	5078	SCREW	4	
4	210002	GASKET	1	
5	240052	PLUG	1	
* 6	202175	OIL WICK	1	
* 7	212489ACD	MACHINE ARM (LEFT) ASSEMBLY	1	
8	212004ACD	MACHINE ARM (LEFT)	1	
9	211389-CD	ARM COVER (LEFT)	1	
10	5328	SCREW	2	
11	5146	SCREW	1	
12	5163	SCREW	2	
13	5595	SCREW	1	
14	200149	GASKET	1	
15	210528	OIL PIPE	1	
16	212007	BED PLATE	1	
17	4009-1	SCREW	5	
18	5482	SCREW	2	
19	212008	GASEKT	1	
20	212010-CD	COVER PLATE	1	
21	212011	GASKET	1	
22	5142	SCREW	4	
23	210005	COVER PLATE	1	
24	5117	SCREW	6	
*25	230047	SERIAL NUMBER PLATE	1	
26	210679	PIN	2	
27	2913-1	SCREW	4	
28	5332A	SCREW	4	
29	5434A	SCREW	1	
30	208173	PLUG	1	
31	210003	PLUG	1	
32	204006	BED PIN	4	
33	210003	PLUG	1	
*34	212281A	TYPE PLATE	1	
35	210679	PIN	2	
36	205088	PLUG	1	

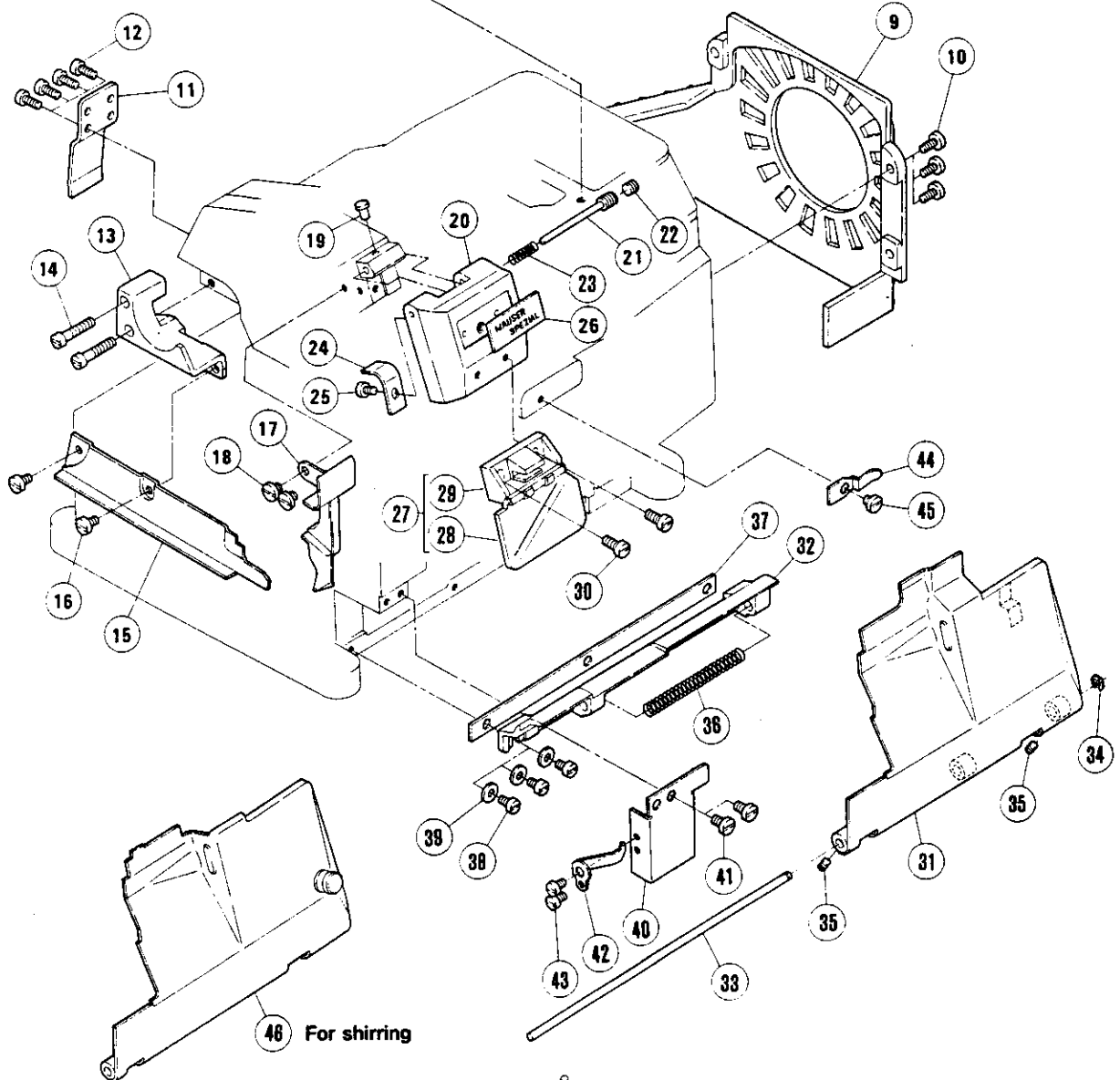
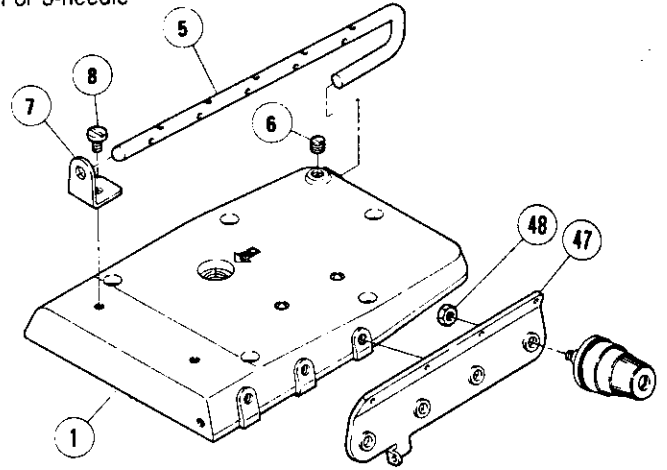


COVERS(1)

REF. NO.	PART NO.	NAME	QT.	MEMO
1	210883	CLOTH PLATE(WIDE)	1	
2	210022	SCREW	1	
3	137906	WASHER	1	
4	211300	NUT	1	
5	210024	SPRING	1	
6	5012	SCREW	2	
7	202875	WASHER	2	
8	210025	CUSHION	1	
9	210027-CB	SIDE COVER (WIDE)	1	
10	4009-1	SCREW	3	
11	201185	WASHER	3	
12	210025	CUSHION	2	
13	210020	WASHER	1	
14	192130	SPRING	1	
15	5483	SCREW	1	
16	3044	NUT	1	
17	210885	CLOTH PLATE	1	
18	1174	SCREW	1	
19	3091	NUT	1	
20	210021	LATCH	1	
21	5488	SCREW	1	
22	210023	SPRING	1	
23	208245	WASHER	1	
24	1435	SCREW	1	
25	1459	SCREW	1	
26	210022	SCREW	1	
27	210025	CUSHION	2	
28	210007	FEED BAR COVER	1	
29	2905	SCREW	2	
30	210006	COVER/FEED ECCENTRIC	1	
31	5480	SCREW	2	
32	210117	UPPER LOOPER HOLDER COVER	1	
33	4009-1	SCREW	5	

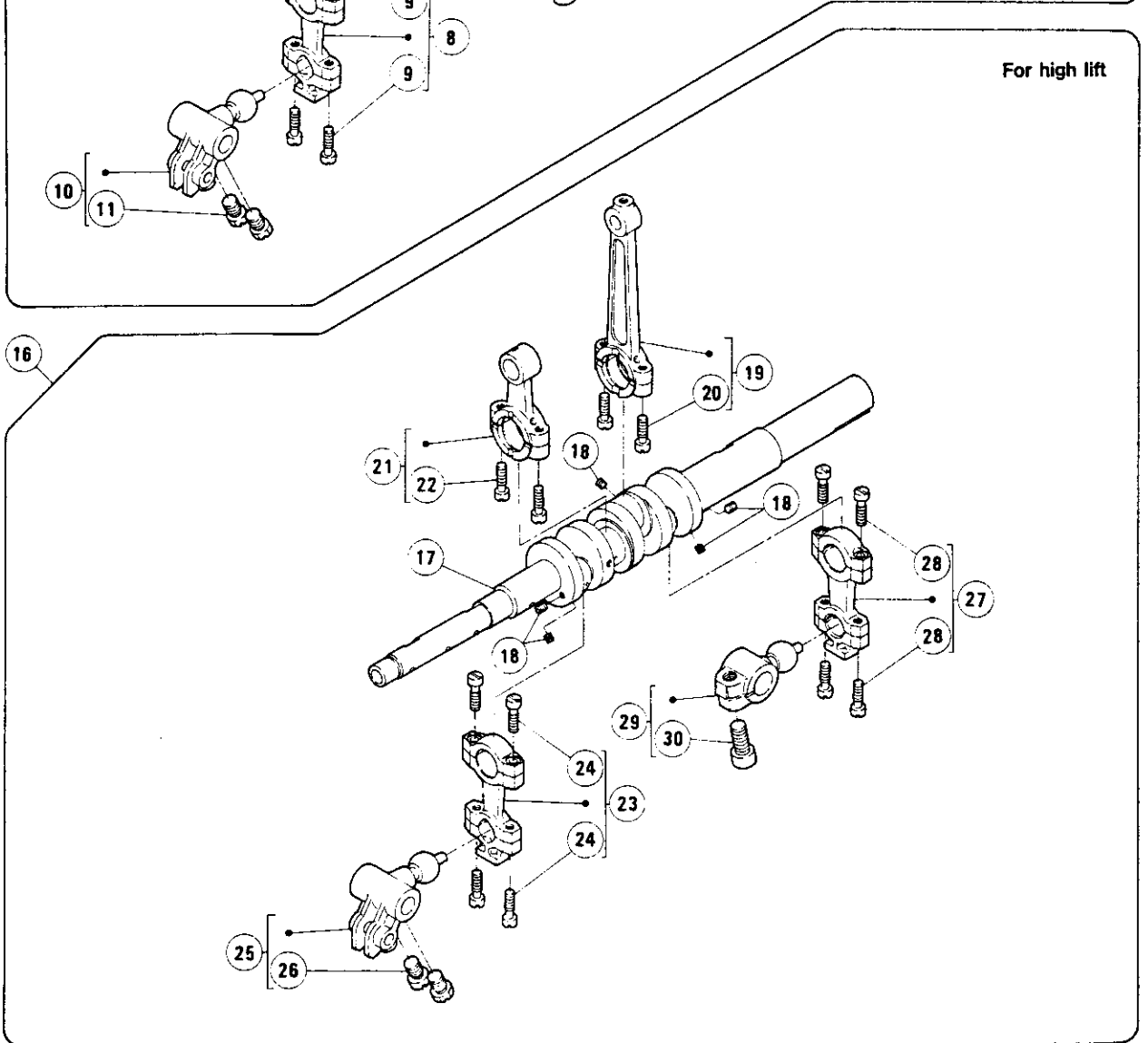
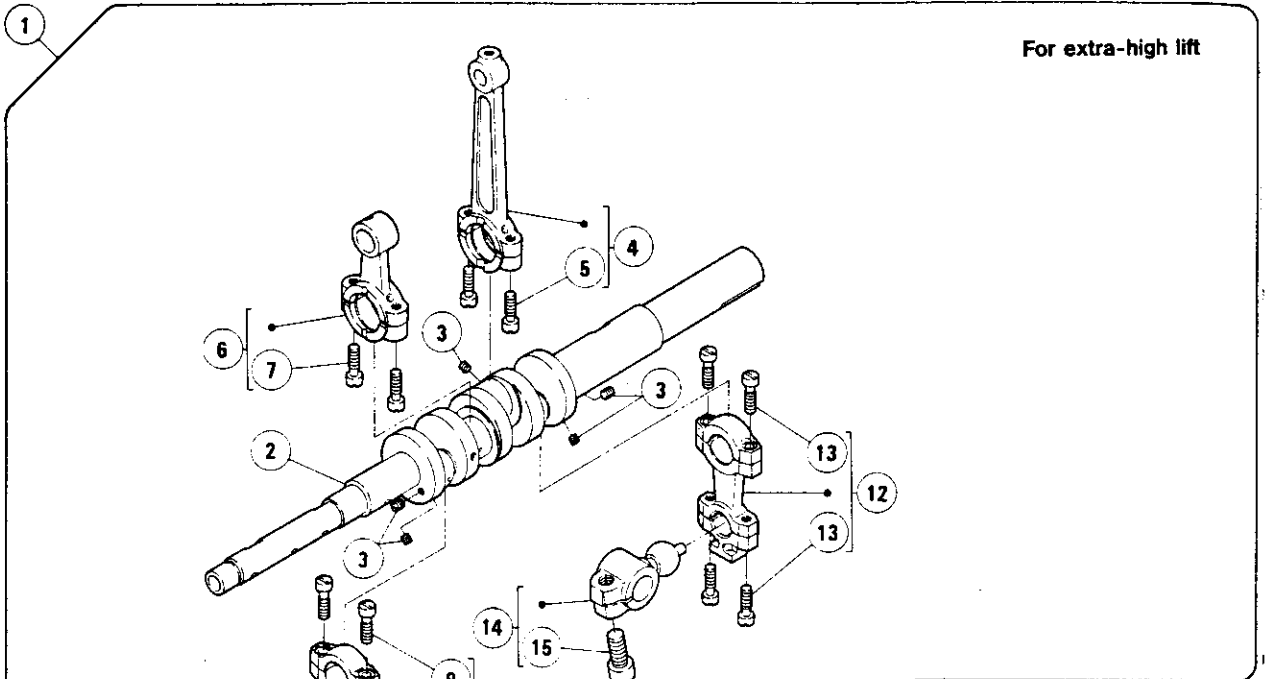


For 3-needle



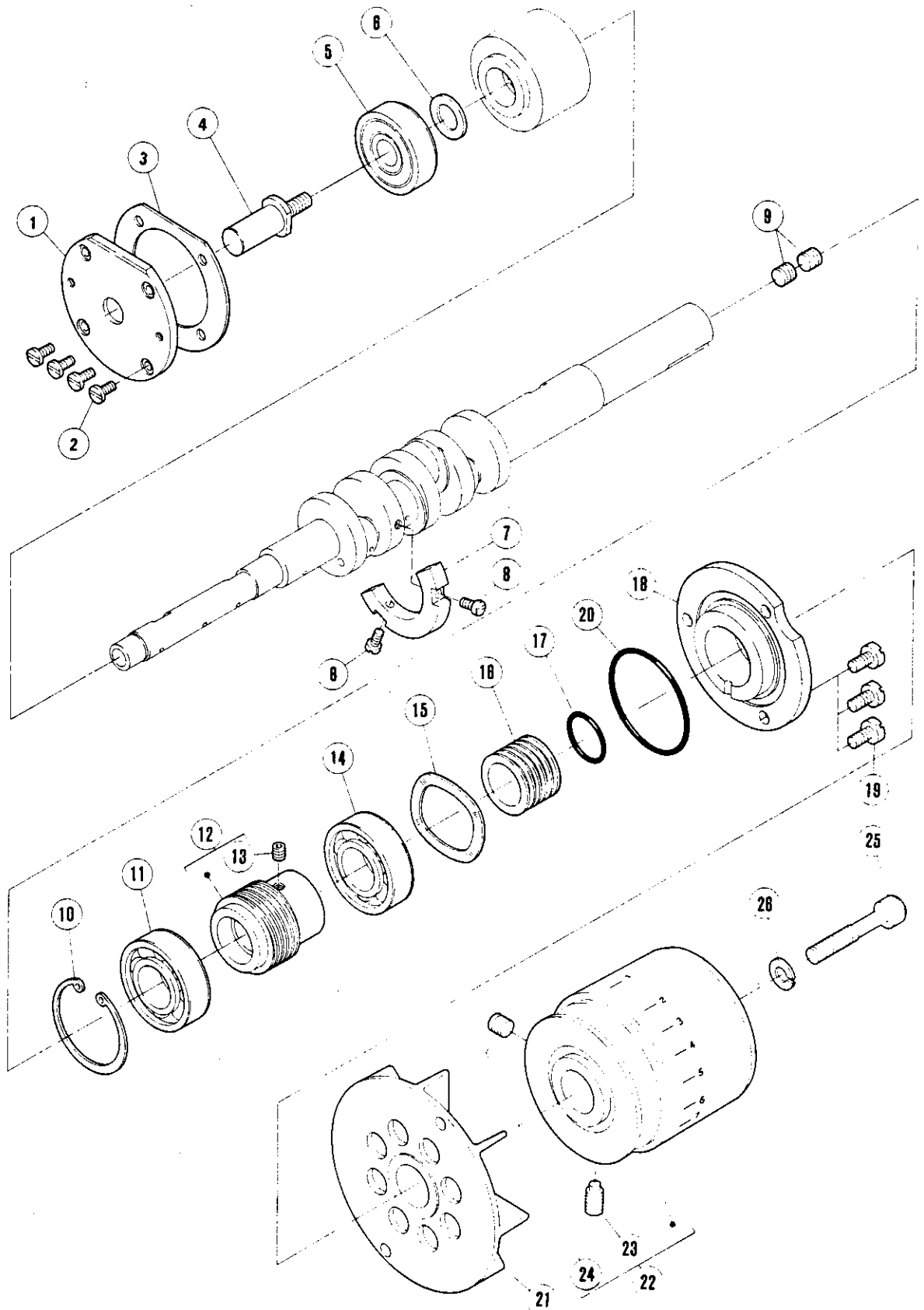
COVERS(2)

REF. NO.	PART NO.	NAME	QT.	MEMO
1	210034-CD	TOP COVER	1	
2	5198	SCREW	1	
3	5095	SCREW	5	
4	210035	O RING	1	
5	210036	THREAD GUIDE BAR	1	
6	5060	SCREW	1	
7	210037	BRACKET	1	
8	4009-1	SCREW	1	
9	210028-CB	BELT COVER	1	
10	5117	SCREW	3	
11	212009	REAR COVER	1	
12	5142	SCREW	4	
13	212006	BRACKET	1	
14	5163	SCREW	2	
15	212005	FABRIC GUARD	1	
16	2905	SCREW	2	
17	212609-91	COVER/MACHINE ARM LEFT	1	
18	2905	SCREW	2	
19	198192	CUSHION RUBBER	1	
20	211959-BD	NEEDLE THREAD COVER	1	
21	5589	SCREW	1	
22	5060	SCREW	1	
23	211958	SPRING	1	
24	210223	FLAT SPRING	1	
25	1216	SCREW	1	
26	205724	NAME PLATE	1	
27	208747	EYE GUARD COMPLETE	1	
28	205685	EYE GUARD	1	
29	208744	EYE GUARD BRACKET COMPLETE	1	
30	1175-3	SCREW	2	
31	210270	FRONT COVER ASSEMBLY	1	
32	210042	HINGE/FRONT COVER	1	
33	208009	PIN	1	
34	200555	RING	1	
35	5292	SCREW	2	
36	210043	SPRING	1	
37	210047	GASKET	1	
38	1202	SCREW	3	
39	137906	WASHER	3	
40	210046	GUIDE/FRONT COVER	1	
41	4009-1	SCREW	2	
42	210045	FLAT SPRING	1	
43	1216	SCREW	2	
*44	210044	FLAT SPRING	1	
45	2905	SCREW	1	
46	211700	FRONT COVER	1	
47	211580	TENSION NUT SET PLATE	1	
48	3044	NUT	1	
49	211799-CD	TOP COVER	1	
50	211800	TENSION GUIDE	1	
51	211801	THREAD TENSION COMPLETE	1	
*52	211313	NAME PLATE	1	



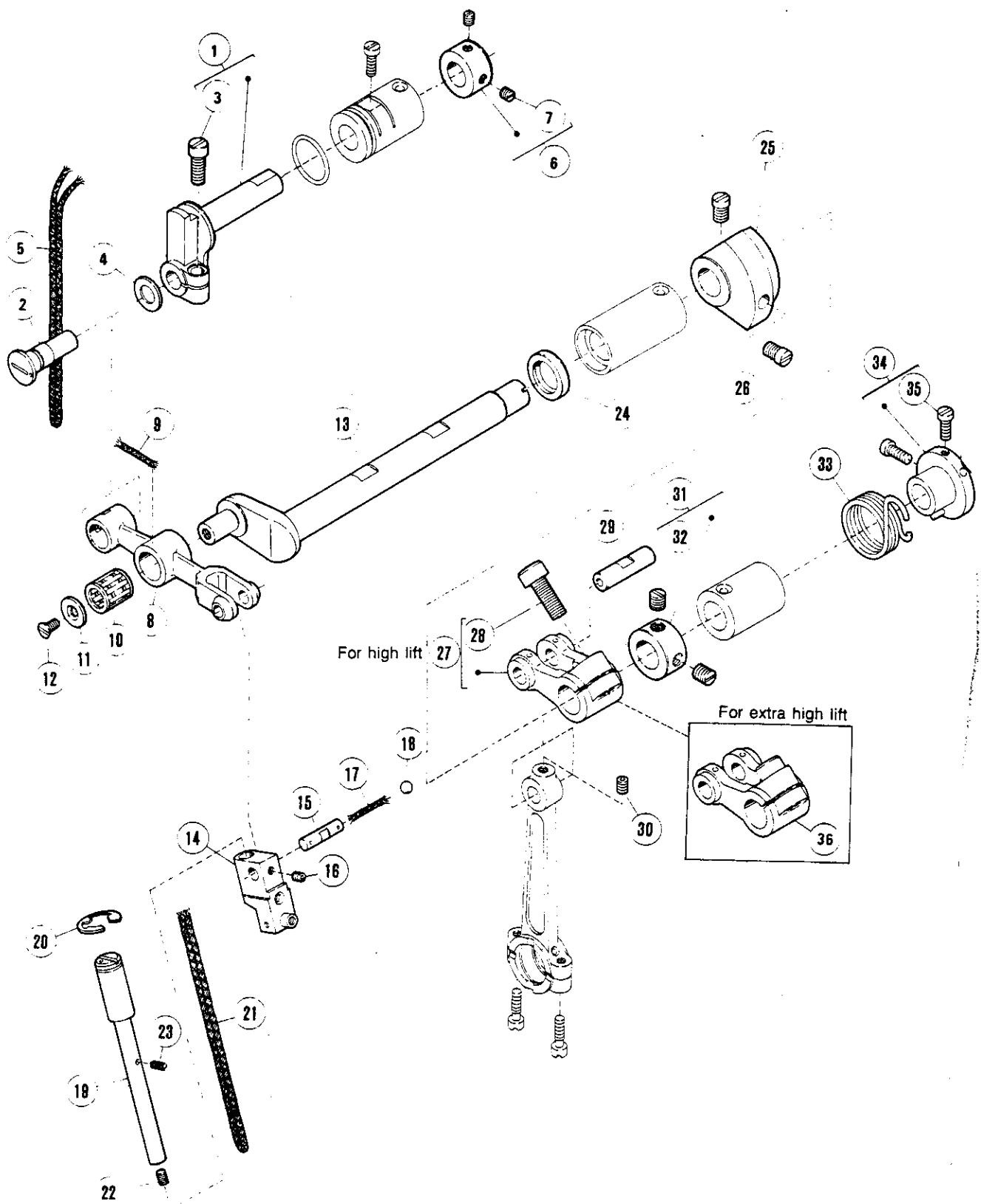
CRANKSHAFT DRIVE MECHANISM(1)

REF. NO.	PART NO.	NAME	QT.	MEMO
1	212670A	CRANKSHAFT ASSEMBLY	1	
2	210228-PD	CRANKSHAFT	1	
3	1459	SCREW	5	
4	210229	CONNECTION/NEEDLE DRIVE	1	
5	5376	SCREW	2	
6	210173	CONNECTION/UPPER KNIFE DRIVE	1	
7	5376	SCREW	2	
8	210091	CONNECTION	1	
9	5376	SCREW	4	
10	211653	CRANK/LOWER LOOPER	1	
11	2022-4	SCREW	2	
12	210091	CONNECTION	1	
13	5376	SCREW	4	
14	210731	CRANK/UPPER LOOPER	1	
15	5457	SCREW	1	
16	212657A	CRANKSHAFT ASSEMBLY	1	
17	210228-PC	CRANKSHAFT	1	
18	1459	SCREW	5	
19	210229	CONNECTION/NEEDLE DRIVE	1	
20	5376	SCREW	2	
21	210173	CONNECTION/UPPER KNIFE DRIVE	1	
22	5376	SCREW	2	
23	210091	CONNECTION	1	
24	5376	SCREW	4	
25	210736	CRANK/LOWER LOOPER DRIVE	1	
26	2022-4	SCREW	2	
27	210091	CONNECTION	1	
28	5376	SCREW	4	
29	210731	CRANK/UPPER LOOPER	1	
30	5457	SCREW	1	



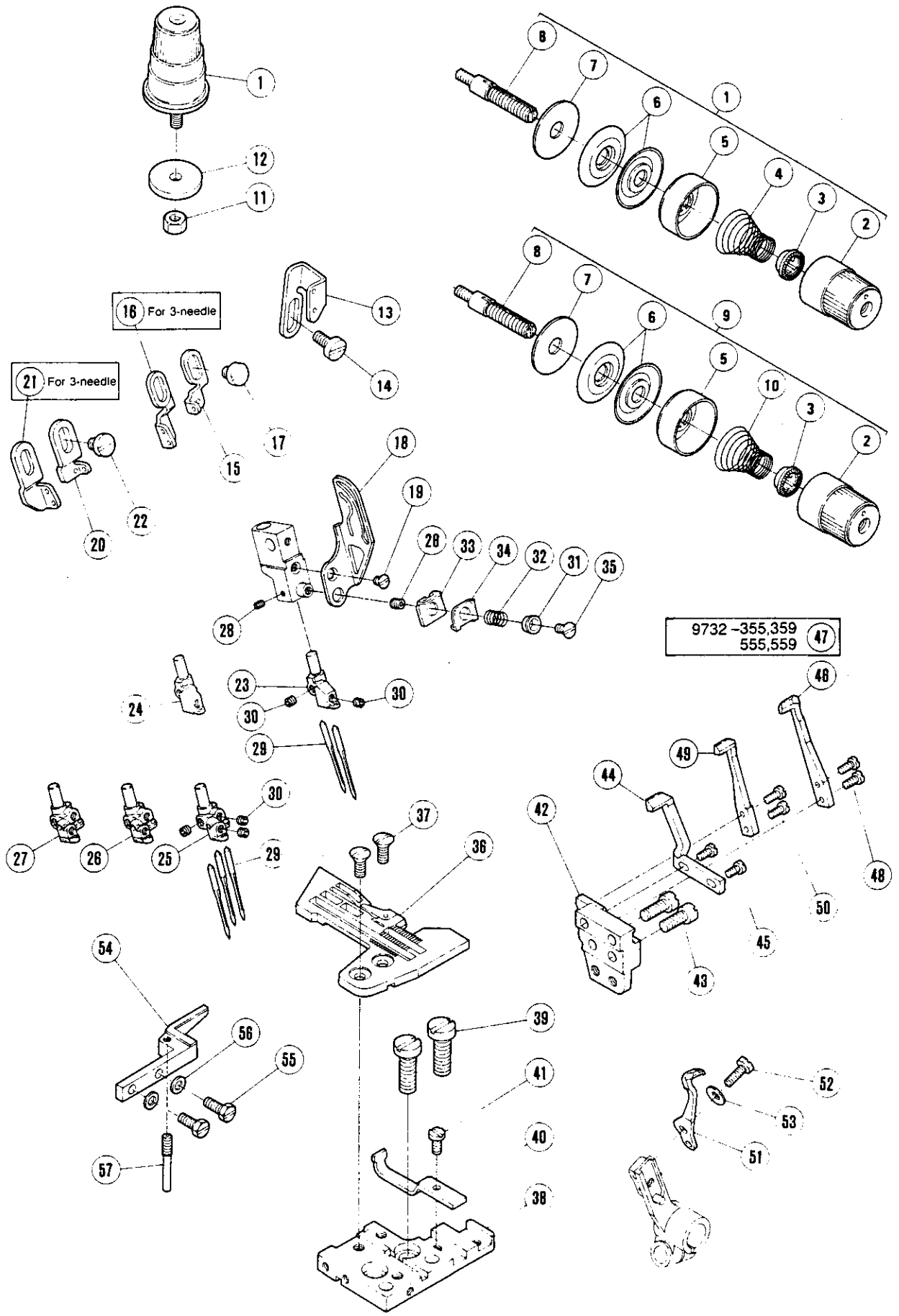
CRANKSHAFT DRIVE MECHANISM(2)

REF. NO.	PART NO.	NAME	QT.	MEMO
1	204881	HOUSING	1	
2	5328	SCREW	4	
3	204319	GASKET	1	
4	204873	CRANK SHAFT EXTENSION	1	
5	204010	BUSHING	1	
6	240102	WASHER	1	
7	210062	BALANCE WEIGHT	1	
8	5029	SCREW	2	
9	1448	SCREW	2	
10	211527	RING	1	
11	212987	BALL BEARING	1	
12	211530	WORM	1	
13	5461	SCREW	1	
14	211526	BALL BEARING	1	
15	211529	WASHER	1	
16	210056	OIL SEAL	1	
17	210057	O RING	1	
*18	211528	BALL BEARING RETAINER	1	
19	5117	SCREW	3	
20	210055	O RING	1	
21	210058	COOLING FAN	1	
22	211345ABD	MACHINE PULLEY	1	
23	5523	SCREW	1	
24	5050	SCREW	1	
25	5522	SCREW	1	
26	204293	SPRING WASHER	1	



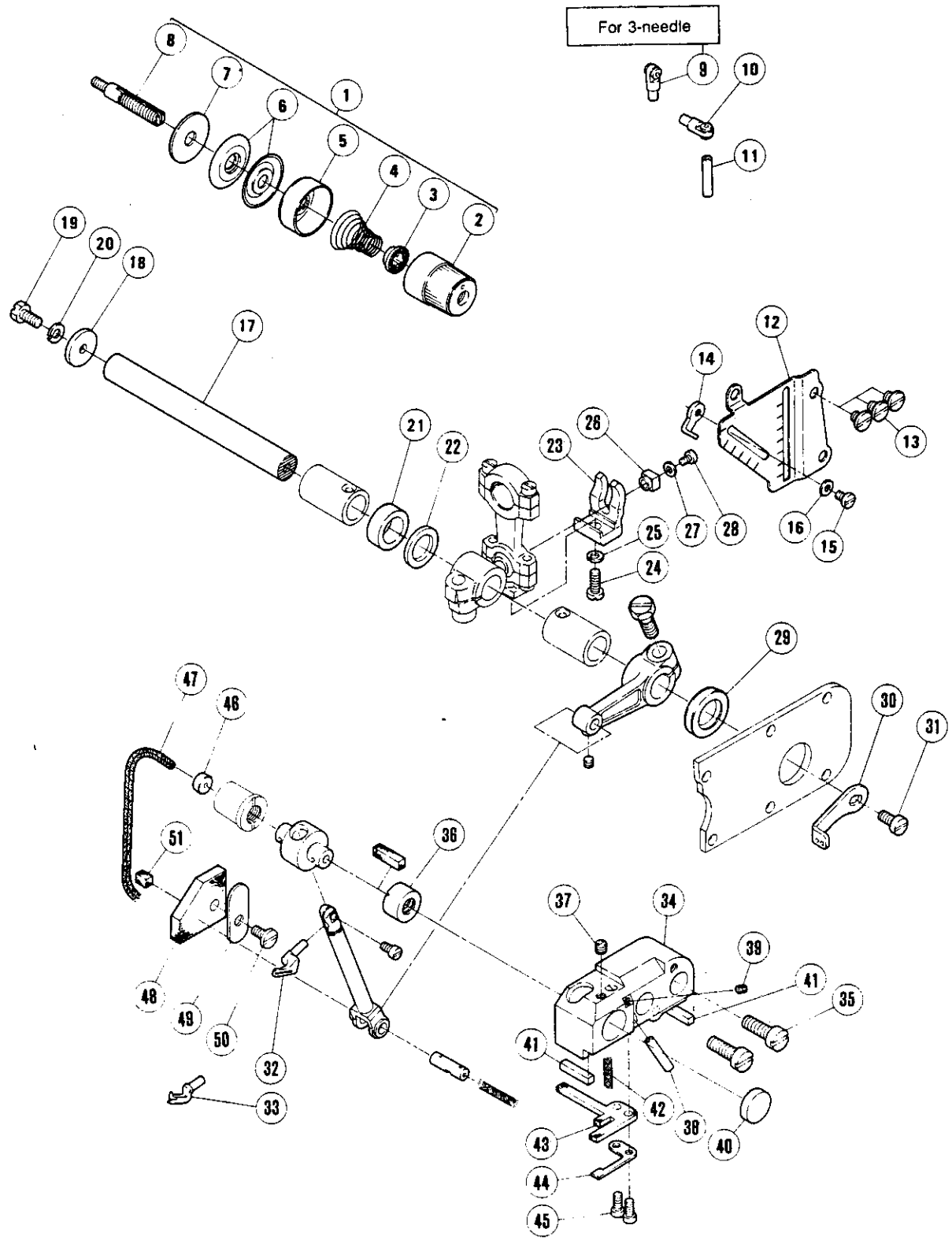
NEEDLE DRIVE MECHANISM(1)

REF. NO.	PART NO.	NAME	QT.	MEMO
1	210239	HOLDER	1	
2	210240	PIN	1	
3	5485	SCREW	1	
4	210241	WASHER	1	
* 5	212186	OIL WICK	1	
6	201056	COLLAR	1	
7	1457	SCREW	1	
8	210235	LEVER/NEEDLE DRIVE	1	
* 9	202175	OIL WICK	1	
10	210238-2	NEEDLE BEARING	1	
11	210236	WASHER	1	
12	5022	SCREW	1	
13	210232A	SHAFT/NEEDLE DRIVE	1	
14	212412A	NEEDLE HOLDER GUIDE	1	
15	210237A-2	PIN	1	
16	5292	SCREW	1	
* 17	202174	OIL WICK	1	
18	240148	PLUG	1	
19	212413	SHAFT	1	
20	202577	RING	1	
* 21	202175	OIL WICK	1	
22	5292	SCREW	1	
* 23	202174	OIL WICK	1	
24	210069	OIL SEAL	1	
25	210511	BALANCE WEIGHT	1	
26	5059	SCREW	1	
27	210231	CRANK/NEEDLE DRIVE	1	
28	5457	SCREW	1	
29	204146	PIN	1	
30	5461	SCREW	1	
31	201635	COLLAR	1	
32	5060	SCREW	2	
33	212785	SPRING	1	
34	212786-91	COLLAR	1	
35	1174	SCREW	1	
36	211649	CRANK/NEEDLE DRIVE	1	



NEEDLE DRIVE MECHANISM(2)

REF. NO.	PART NO.	NAME	QT.	MEMO
1	210529-BA	THREAD TENSION COMPLETE	2	
2	208447	POST NUT	2	
3	208448	SPRING BUSHING	2	
4	201037	SPRING (HEAVY)	2	
5	208450	CUP	2	
6	210319	TENSION DISC	4	
7	208449	FELT	2	
8	5082A	SCREW STUD	2	
9	210530-BA	THREAD TENSION COMPLETE	1	
10	201086	SPRING (MEDIUM)	1	
11	5137	NUT	1	
12	201880	WASHER	1	
13	210264	THREAD GUIDE	1	
14	5117	SCREW	1	
15	212725	THREAD GUIDE	1	
16	212723A	NEEDLE/THREAD GUIDE(RIGHT)	1	
17	5535	SCREW	1	
18	212721	THREAD TAKEUP	1	
19	5446	SCREW	1	
20	212724	THREAD GUIDE	1	
21	212722A	NEEDLE/THREAD GUIDE(LEFT)	1	
22	5535	SCREW	1	
23	210273	NEEDLE HOLDER	1	
24	210274	NEEDLE HOLDER	1	
25	211573	NEEDLE HOLDER	1	
26	211577	NEEDLE HOLDER	1	
27	212995	NEEDLE HOLDER	1	
28	5292	SCREW	2	
29	XXXXXX	NEEDLE	2	
30	5292	SCREW	2	
31	210750	GUIDE	1	
32	210751	SPRING	1	
33	212681	RETAINER BRACKET	1	
34	212504	TENSION DISC	1	
35	5022	SCREW	1	
36	XXXXXX	NEEDLE PLATE	1	
37	5484-HC	SCREW	2	
38	211392	BRACKET COMPLETE	1	
39	5357	SCREW	2	
40	210278	CHAINSTITCH NEEDLE GUARD FRONT	1	
41	5328	SCREW	1	
42	210277	BRACKET/NEEDLE GUARD	1	
43	5002	SCREW	2	
44	210279	CHAINSTITCH NEEDLE GUARD REAR	1	
45	5492	SCREW	2	
46	210275A	NEEDLE GUARD (FRONT)	1	
47	211578	NEEDLE GUARD(FRONT)	1	
48	5492	SCREW	2	
49	210276	NEEDLE GUARD (REAR)	1	
50	5492	SCREW	2	
51	210724	NEEDLE GUARD (REAR)	1	
52	5501	SCREW	1	
53	210930	SPRING WASHER	1	
54	210922	SUPPORT COMPLETE/NEEDLE PLATE	1	
55	5501	SCREW	2	
56	210898	WASHER	2	
57	210923	SCREW	1	

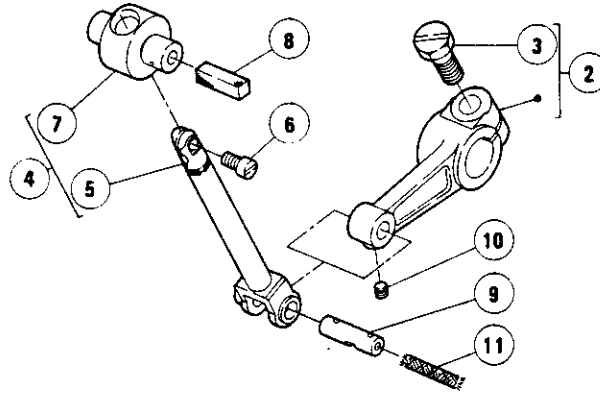


UPPER LOOPER DRIVE MECHANISM(1)

REF. NO.	PART NO.	NAME	QT.	MEMO
1	210531-BA	THREAD TENSION COMPLETE	1	
2	208447	POST NUT	1	
3	208448	SPRING BUSHING	1	
4	201068	SPRING (LIGHT)	1	
5	208450	CUP	1	
6	210319	TENSION DISC	2	
7	208449	FELT	1	
8	5082A	SCREW STUD	1	
9	201439A	THREAD EYELET	1	
10	201439A	THREAD EYELET	1	
11	204657	PIPE	1	
12	210349	LOOPER THREAD GUIDE PLATE	1	
13	2905	SCREW	3	
14	210350	THREAD GUIDE/UPPER LOOPER	1	
15	5519	SCREW	1	
16	202875	WASHER	1	
17	210099	SHAFT/UPPER LOOPER DRIVE	1	
18	210100	WASHER	1	
19	2193	SCREW	1	
20	202286	SPRING WASHER	1	
21	210267	SPACER	1	
22	206180	WASHER	1	
23	210092	GUIDE/CONNECTION	1	
24	5546	SCREW	1	
25	202286	SPRING WASHER	1	
26	210093	BLOCK	1	
27	210585	WASHER	1	
28	1231	SCREW	1	
29	210103	OIL SEAL	1	
30	212728	THREAD TAKEUP/UPPER LOOPER	1	
31	2902	SCREW	1	
32	XXXXXX	UPPER LOOPER	1	
33	XXXXXX	SPREADER	1	
34	211995	BASE/UPPER LOOPER HOLDER	1	
35	5282	SCREW	2	
36	210109	BUSHING	1	
37	5408	SCREW	1	
38	204657	PIPE	1	
39	5292	SCREW	1	
40	208173	PLUG	1	
41	210118	GASKET	2	
*42	202175	OIL WICK	1	
43	210114	OIL FELT	1	
44	210115	SET PLATE	1	
45	5012	SCREW	2	
46	208592	CAP	1	
*47	202174	OIL WICK	1	
48	210112A	OIL FELT	1	
49	210113	SET PLATE	1	
50	4009-1	SCREW	1	
51	210721	OIL FELT	1	

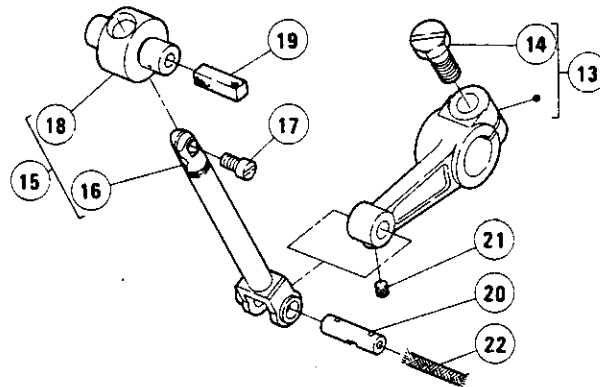
1

Extra-high lift



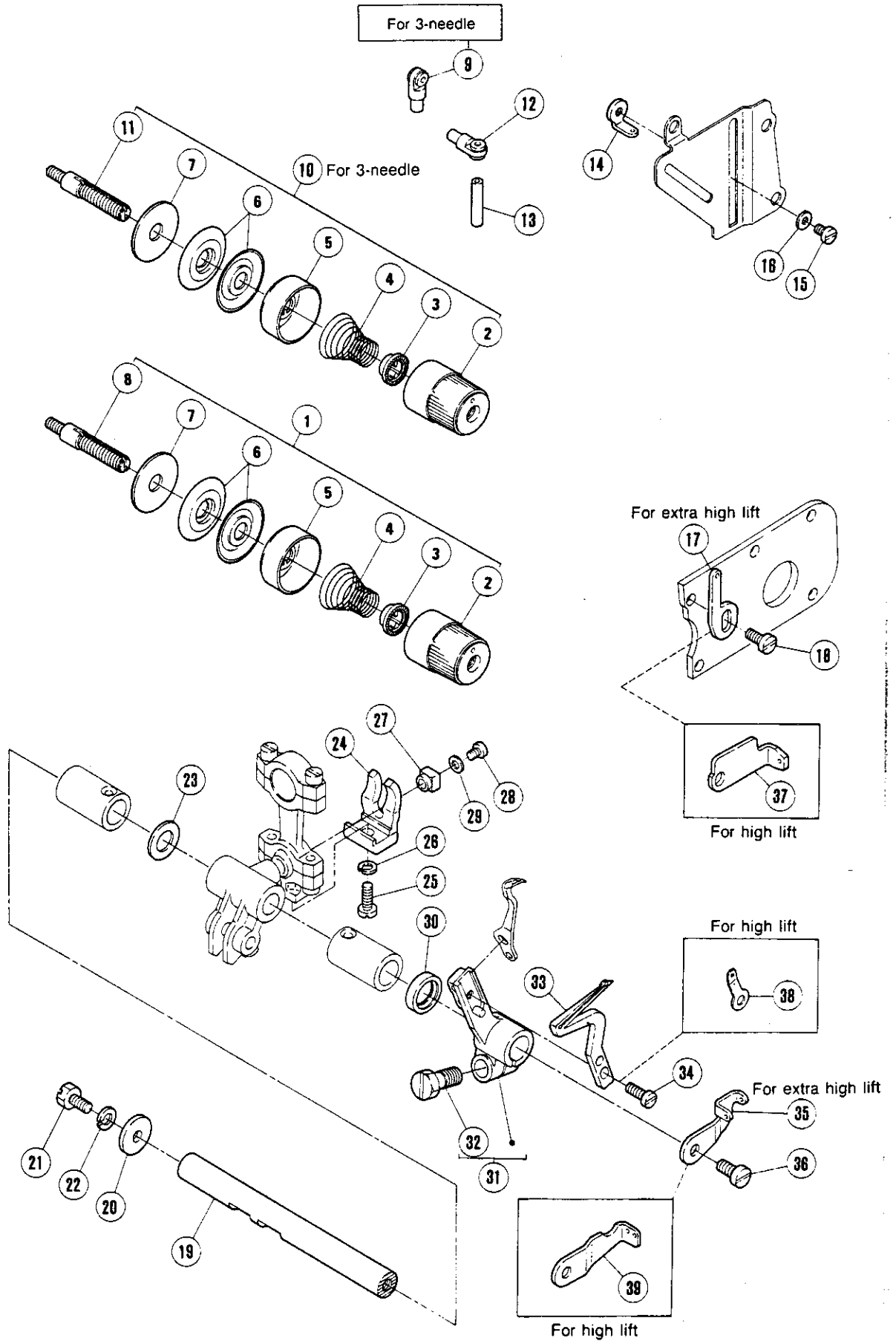
12

High lift



UPPER LOOPER DRIVE MECHANISM(2)

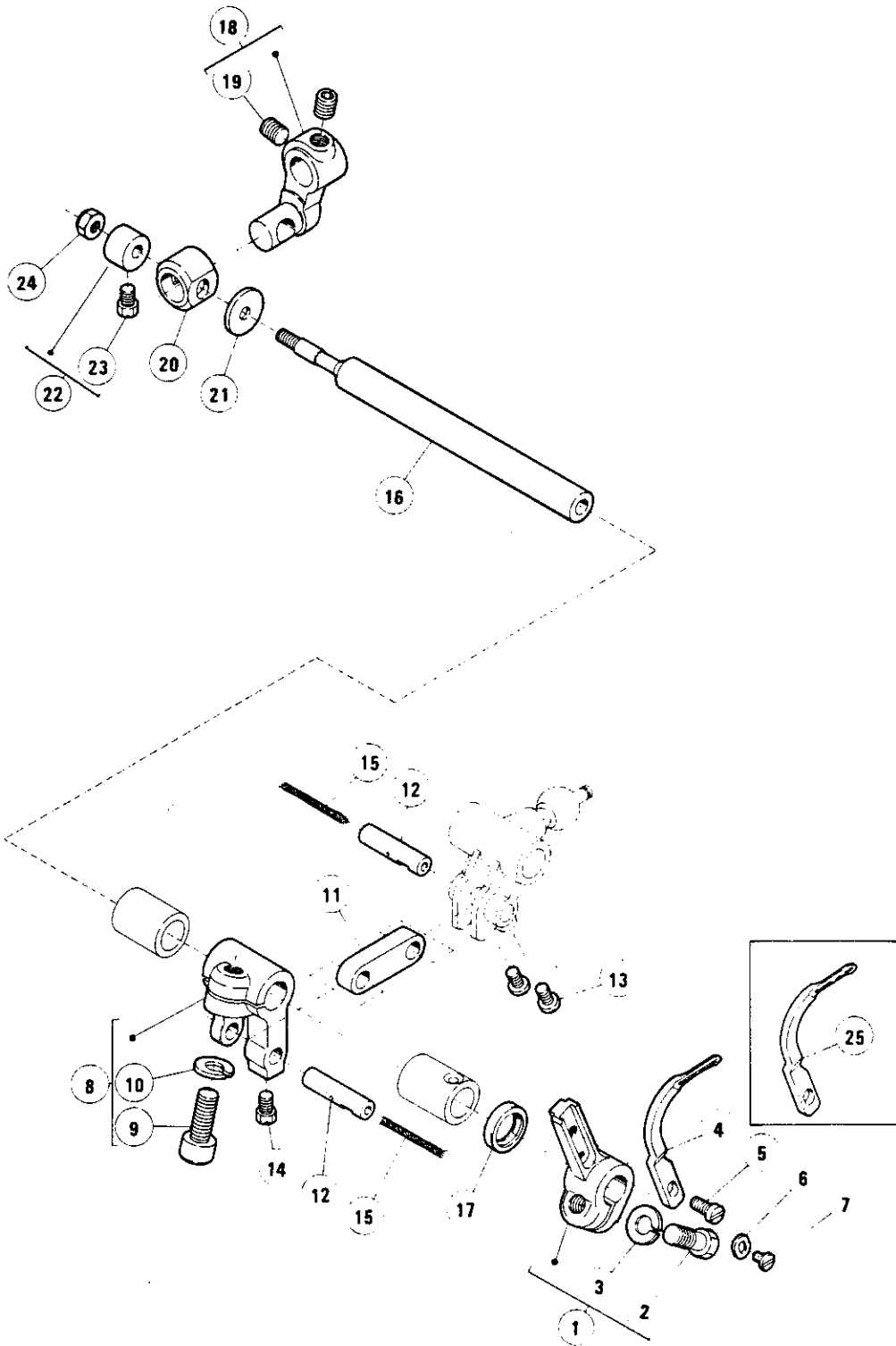
REF. NO.	PART NO.	NAME	QT.	MEMO
1	210929A91	UPPER LOOPER HOLDER ASSEMBLY	1	
2	211655	LEVER/UPPER LOOPER	1	
3	5284	SCREW	1	
4	211926-T	UPPER LOOPER HOLDER ASSEMBLY	1	
* 5	211654-T	UPPER LOOPER HOLDER	1	
6	1998-2	SCREW	1	
* 7	210107	GUIDE/UPPER LOOPER HOLDER	1	
8	204274	OIL WICK	1	
9	210105-2	PIN	1	
10	5292	SCREW	1	
*11	202174	OIL WICK	1	
12	210928A91	UPPER LOOPER HOLDER ASSEMBLY	1	
13	210104	LEVER/UPPER LOOPER	1	
14	5284	SCREW	1	
15	211926-T	UPPER LOOPER HOLDER ASSEMBLY	1	
*16	211654-T	UPPER LOOPER HOLDER	1	
17	1998-2	SCREW	1	
*18	210107	GUIDE/UPPER LOOPER HOLDER	1	
19	204274	OIL WICK	1	
20	210105-2	PIN	1	
21	5292	SCREW	1	
*22	202174	OIL WICK	1	



LOWER LOOPER DRIVE MECHANISM

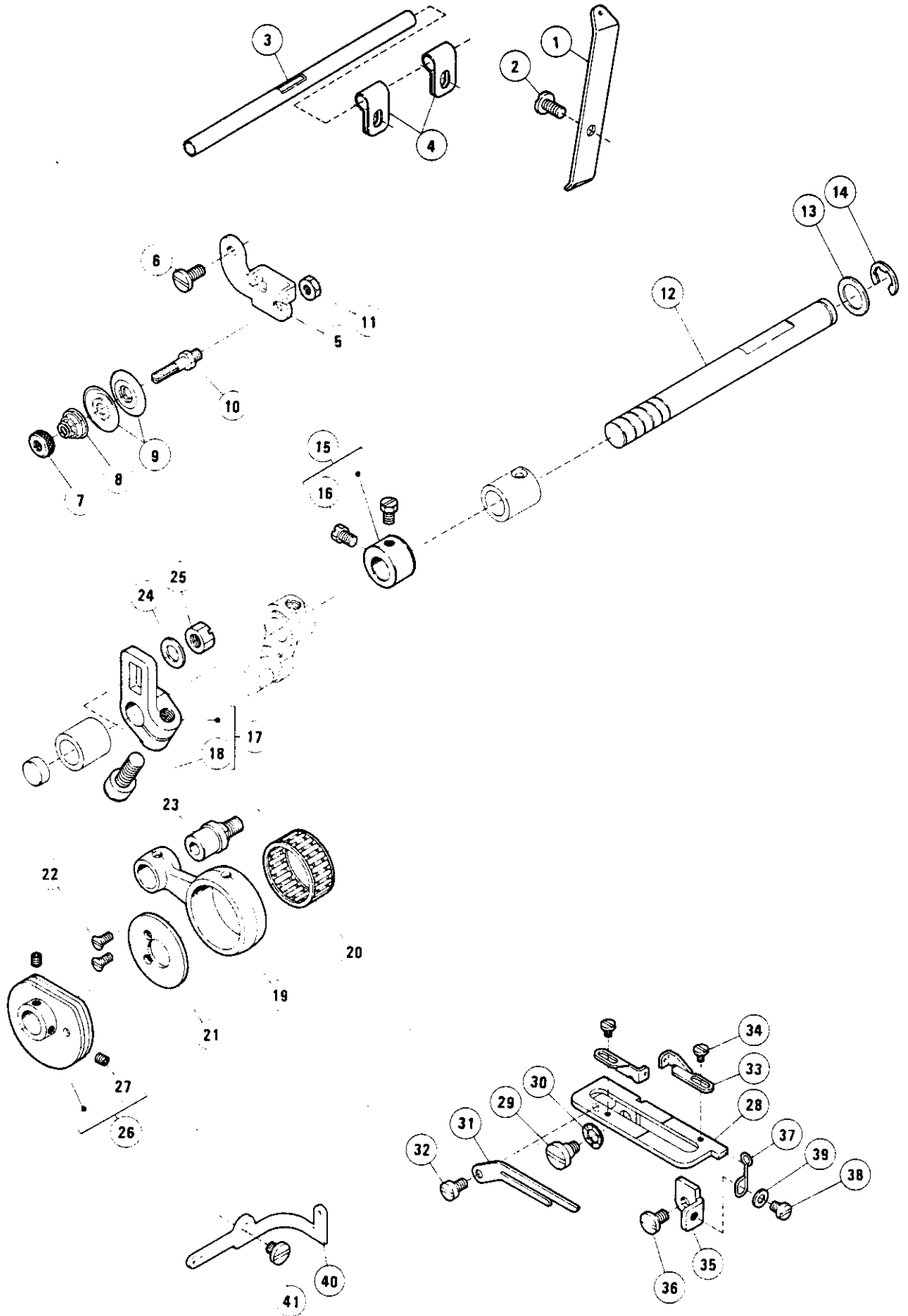
REF. NO.	PART NO.	NAME	QT.	MEMO
1	210530-BA	THREAD TENSION COMPLETE	1	
2	208447	POST NUT	1	
3	208448	SPRING BUSHING	1	
4	201086	SPRING (MEDIUM)	1	
5	208450	CUP	1	
6	210319	TENSION DISC	2	
7	208449	FELT	1	
8	5082A	SCREW STUD	1	
9	201439A	THREAD EYELET	1	
10	211581	THREAD TENSION COMPLETE	1	
11	5143A	STUD	1	
12	201439A	THREAD EYELET	1	
13	204657	PIPE	1	
14	201089	THREAD GUIDE (RIGHT)	1	
15	5519	SCREW	1	
16	202875	WASHER	1	
17	212727	THREAD GUIDE	1	
18	5441	SCREW	1	
19	210281	SHAFT/LOWER LOOPER	1	
20	204107	WASHER	1	
21	2193	SCREW	1	
22	202286	SPRING WASHER	1	
23	240102	WASHER	1	
24	210092	GUIDE/CONNECTION	1	
25	5546	SCREW	1	
26	202286	SPRING WASHER	1	
27	210093	BLOCK	1	
28	1231	SCREW	1	
29	210585	WASHER	1	
*30	210586	OIL SEAL	1	
31	210725	LOWER LOOPER LEVER	1	
32	5487	SCREW	1	
33	XXXXXX	LOWER LOOPER	1	
34	1175-2	SCREW	1	
35	212726	THREAD TAKEUP	1	
36	2902	SCREW	1	
37	212502	THREAD GUIDE	1	
38	210353	THREAD GUIDE	1	
39	211401	THREAD TAKEUP	1	

See pages 58--102 for ×××××.



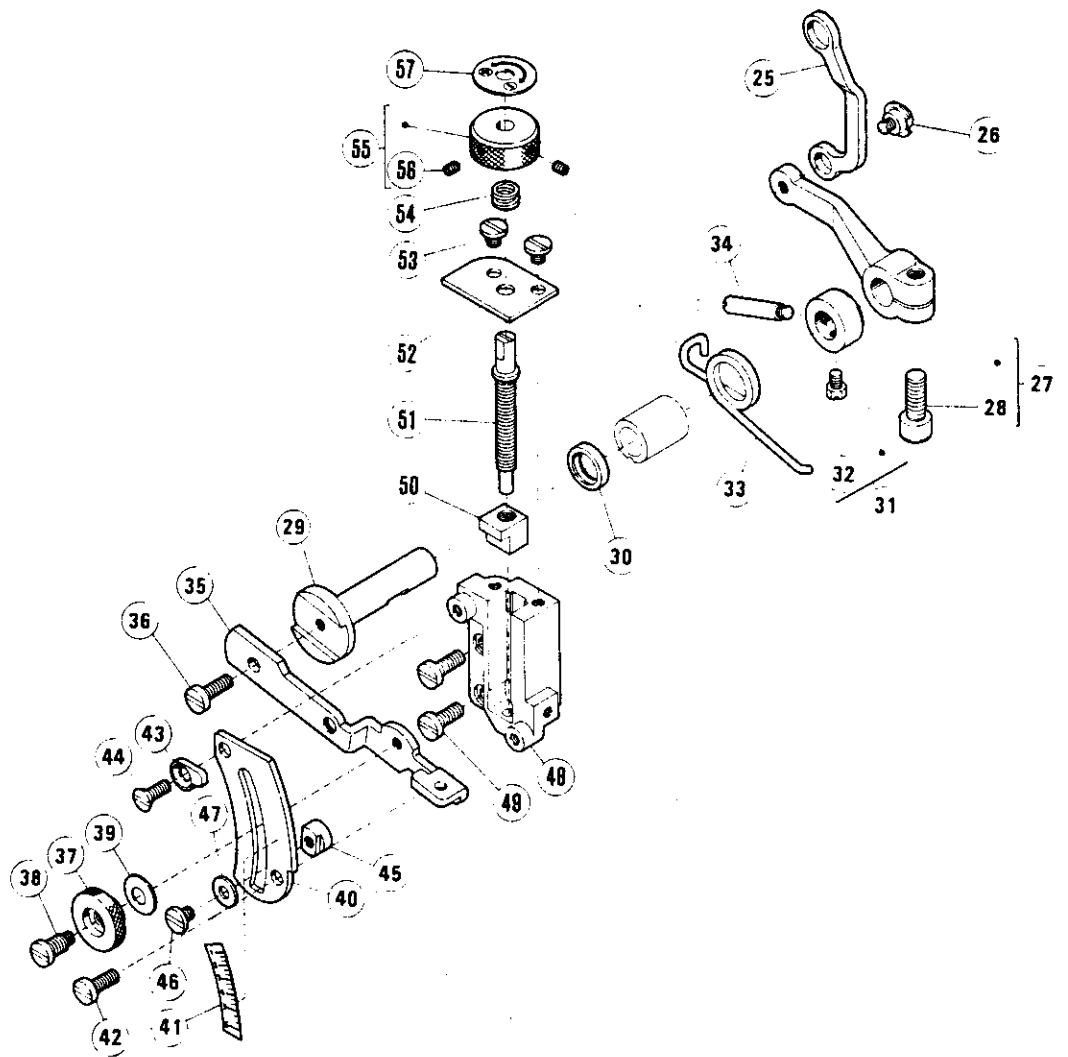
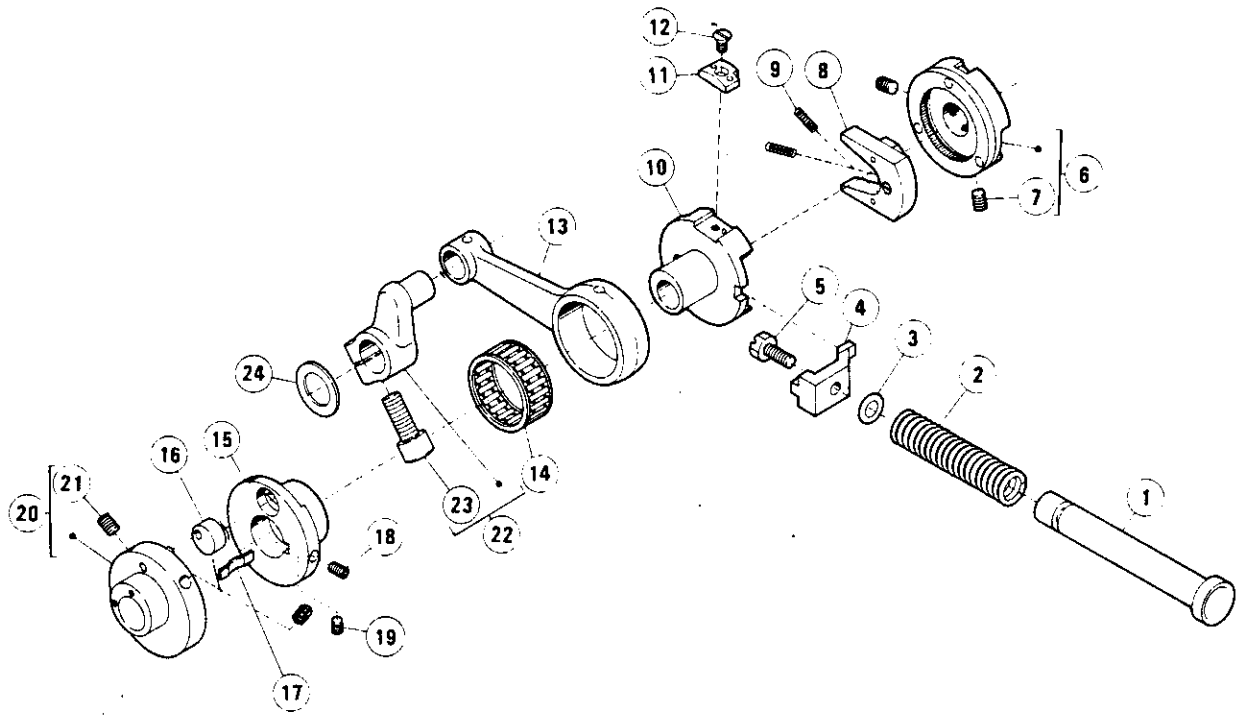
CHAINSTITCH LOOPER DRIVE MECHANISM(1)

REF. NO.	PART NO.	NAME	QT.	MEMO
1	210298	LOOPER HOLDER	1	
2	5487	SCREW	1	
3	204293	SPRING WASHER	1	
4	210357	DOUBLE CHAINSTITCH LOOPER	1	
5	1175-2	SCREW	1	
6	210299	REGULATOR	1	
7	2922	SCREW	1	
8	210294	CRANK/LOOPER DRIVE	1	
9	5457	SCREW	1	
10	204293	SPRING WASHER	1	
11	208194	LINK/LOOPER DRIVE	1	
12	208195	PIN	2	
13	5328	SCREW	2	
14	5084	SCREW	1	
*15	202176	OIL WICK	2	
16	208196	SHAFT/LOOPER DRIVE	1	
*17	210586	OIL SEAL	1	
18	210288	LEVER/LOOPER AVOIDING	1	
19	5461	SCREW	2	
20	210289	BLOCK	1	
21	208028	WASHER	1	
22	208029	COLLAR	1	
23	5084	SCREW	1	
24	4802	NUT	1	
25	210357-HC	DOUBLE CHAINSTITCH LOOPER	1	



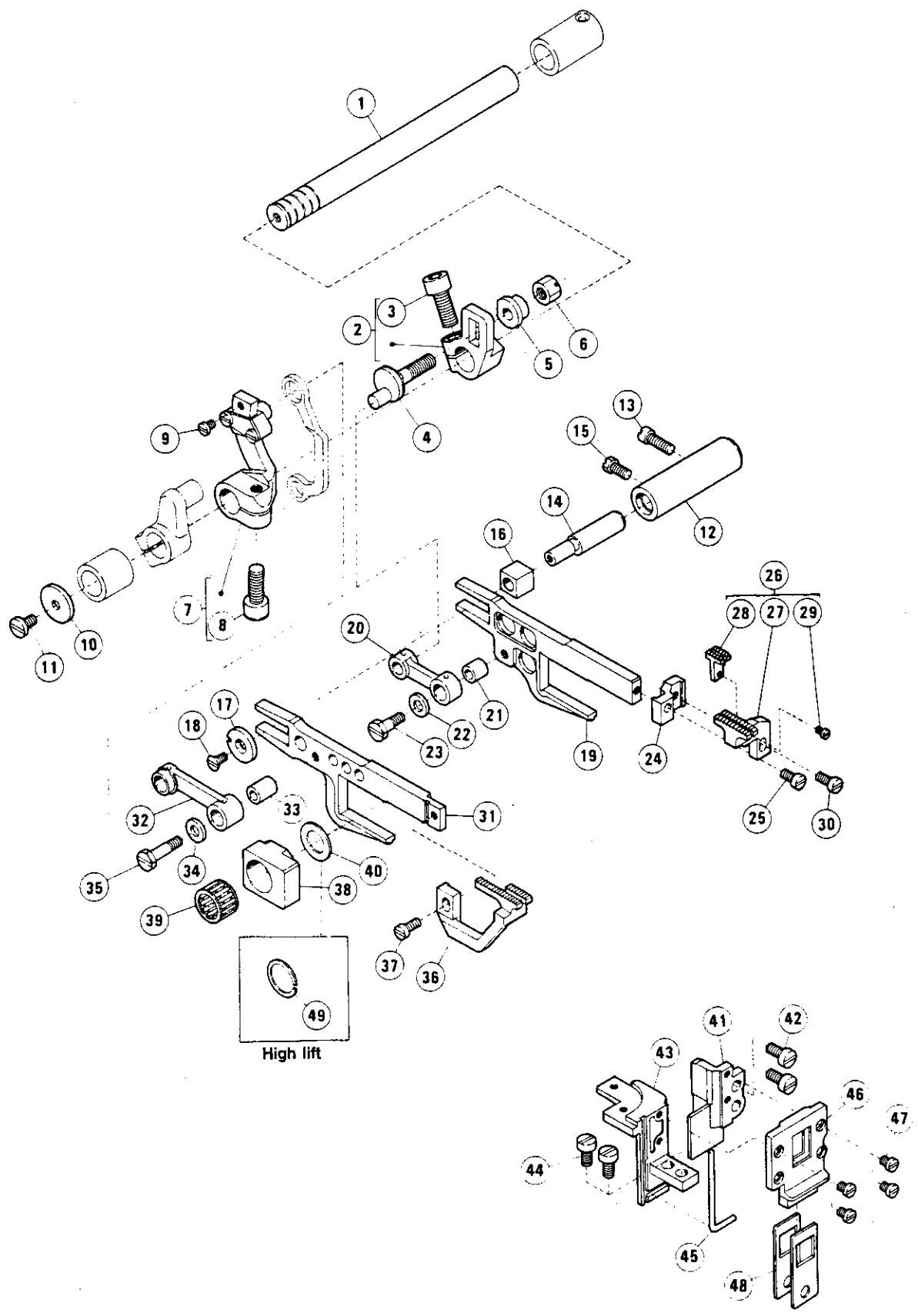
CHAINSTITCH LOOPER DRIVE MECHANISM(2)

REF. NO.	PART NO.	NAME	QT.	MEMO
1	210309	THREAD GUIDE	1	
2	4009-1	SCREW	1	
3	210310	THREAD TUBE	1	
4	206115	BRACKET	2	
5	211386	THREAD GUIDE	1	
6	5117	SCREW	1	
7	5526	NUT	1	
8	211388	SPRING	1	
9	137108	TENSION DISC	2	
10	211387	TENSION POST	1	
11	3044	NUT	1	
12	212654	SHAFT/LOOPER AVOIDING	1	
13	240102	WASHER	1	
14	205061	RING	1	
15	210293	COLLAR	1	
16	5084	SCREW	2	
17	210287	CRANK/LOOPER AVOIDING	1	
18	5457	SCREW	1	
19	210284	CONNECTION/LOOPER AVOIDING	1	
20	205015-2	NEEDLE BEARING	1	
21	210283	COLLAR	1	
22	5259	SCREW	2	
23	210285	PIN	1	
24	202433	WASHER	1	
25	5455	NUT	1	
26	210300	THREAD TAKEUP	1	
27	5292	SCREW	2	
28	210304	BRACKET/LOOPER THREAD GUIDE	1	
29	5494	SCREW	1	
30	210307	WASHER	1	
31	210302	GUIDE/THREAD TAKEUP	1	
32	1216	SCREW	1	
33	210303	THREAD GUIDE	2	
34	5077	SCREW	2	
35	210308	STOPPER	1	
36	5453	SCREW	1	
37	210306	SPRING	1	
38	1234	SCREW	1	
39	137906	WASHER	1	
40	210311	THREAD GUIDE	1	
41	4009-1	SCREW	1	



FEED MECHANISM(1)

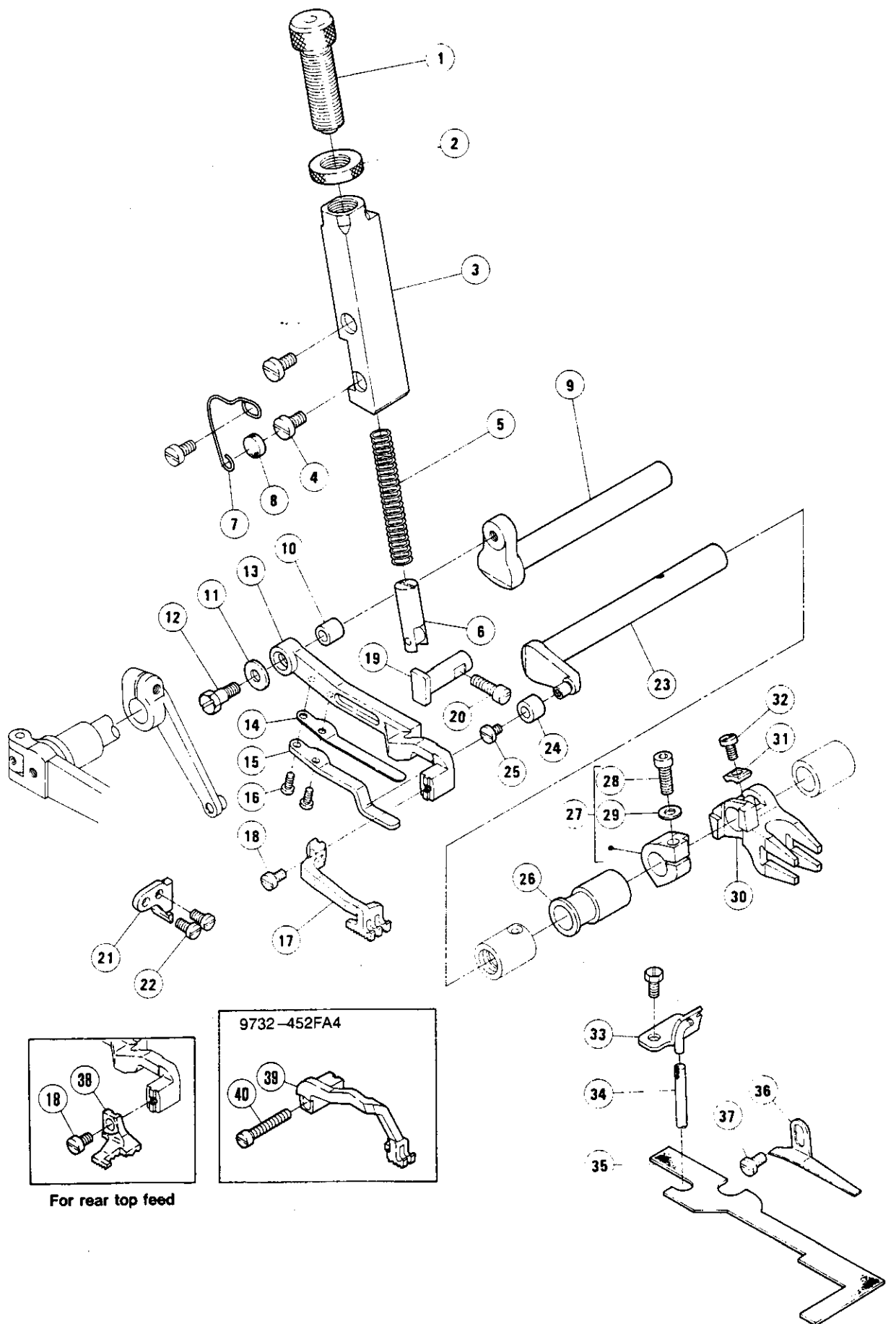
REF. NO.	PART NO.	NAME	QT.	MEMO
1	210137	PUSH BUTTON	1	
2	210139	SPRING	1	
3	204185	O RING	1	
4	210138	STOPPER	1	
5	2193	SCREW	1	
6	210136	RATCHET WHEEL COMPLETE	1	
7	5461	SCREW	2	
8	208411	FEED REGULATING RATCHET	1	
9	208415	SPRING	2	
10	211802A	ECCENTRIC/FEED REGULATING	1	
11	211804	STOPPER	1	
12	5437	SCREW	1	
13	210140	CONNECTION/FEED DRIVE	1	
14	204084-2	NEEDLE BEARING	1	
15	210127	ECCENTRIC/FEED DRIVE	1	
16	210129	GUDE/FEED ECCENTRIC	1	
17	210130	FLAT SPRING	1	
18	5427	SCREW	1	
19	5292	SCREW	1	
20	210282A	ECCENTRIC/LOOPER AVOIDING	1	
21	5461	SCREW	2	
22	210141A	CRANK/FEED DRIVE	1	
23	5457	SCREW	1	
24	208235	WASHER	1	
25	210161	LINK/DIFF. FEED REGULATING	1	
26	5316	SCREW	1	
27	210162	LEVER/DIFF. FEED REGULATING	1	
28	5457	SCREW	1	
29	210163	SHAFT/DIFF. FEED REGULATING	1	
30	204052A	OIL SEAL	1	
31	204754A	COLLAR	1	
32	5084	SCREW	1	
33	204756	SPRING	1	
34	204757	PIN	1	
35	210166	LEVER/DIFF. FEED REGULATING	1	
36	5117	SCREW	1	
37	210167	THUMB NUT	1	
38	5486	SCREW	1	
39	211301	SPRING	1	
40	210168	REGULATING PLATE/DIFF. FEED	1	
41	210170	INDICATION PLATE	1	
42	5117	SCREW	1	
43	210700	STOPPER	1	
44	1732	SCREW	1	
45	210171	STOPPER	1	
46	2905	SCREW	1	
47	201185	WASHER	1	
48	211314	REGULATING BASE/DIFF. FEED	1	
49	5118	SCREW	2	
50	210535	BLOCK/DIFF. FEED REGULATING	1	
51	210172	REGULATING BAR/DIFF. FEED	1	
52	210534	GUIDE/DIFF. FEED REG. BAR	1	
53	5091	SCREW	2	
54	210533	SPRING	1	
55	210532	THUMB NUT	1	
56	5292	SCREW	2	
57	212179	MARK	1	



FEED MECHANISM(2)

REF. NO.	PART NO.	NAME	QT.	MEMO
1	212028	FEED SHAFT	1	
2	210144	CRANK/MAIN FEED	1	
3	5457	SCREW	1	
4	210145	PIN	1	
5	210146	WASHER	1	
6	5455	NUT	1	
7	210152	CRANK COMPLETE/DIFF. FEED	1	
8	5457	SCREW	1	
9	5346	SCREW	1	
10	210100	WASHER	1	
11	4009-1	SCREW	1	
12	204129A	BUSHING	1	
13	2133-1	SCREW	1	
14	204128A	PIN	1	
15	5084	SCREW	1	
16	205418	BLOCK/FEED BAR GUIDE	1	
17	204439A	WASHER	1	
18	5317	SCREW	1	
19	210154	MAIN FEED BAR	1	
20	210147	LINK/MAIN FEED	1	
21	210148	BUSHING	1	
22	204115	WASHER	1	
23	5489	SCREW	1	
24	210343	BRACKET/MAIN FEED DOG	1	
25	1175-2	SCREW	1	
26	XXXXXX	MAIN FEED DOG COMPLETE	1	
27	XXXXXX	MAIN FEED DOG	1	
28	XXXXXX	AUXILIARY FEED DOG	1	
29	5492	SCREW	1	
30	1175-2	SCREW	1	
31	210155	DIFFERENTIAL FEED BAR	1	
32	210153	LINK/DIFFERENTIAL FEED	1	
33	204114	BUSHING	1	
34	204115	WASHER	1	
35	5231	SCREW	1	
36	XXXXXX	DIFFERENTIAL FEED DOG	1	
37	1175-2	SCREW	1	
38	210156	BLOCK	1	
39	206128-2	NEEDLE BEARING	1	
40	208235	WASHER	1	
41	210157	GUIDE (RIGHT)/FEED BAR	1	
42	5205	SCREW	2	
43	210158	GUIDE (LEFT)/FEED BAR	1	
44	2902	SCREW	2	
45	208168	GASKET	1	
46	210160	GUIDE/FEED BAR OIL SEAL	1	
47	5346	SCREW	4	
48	210159	OIL SEAL	2	
49	206129	RING	1	

See pages 58-102 for ×××××.



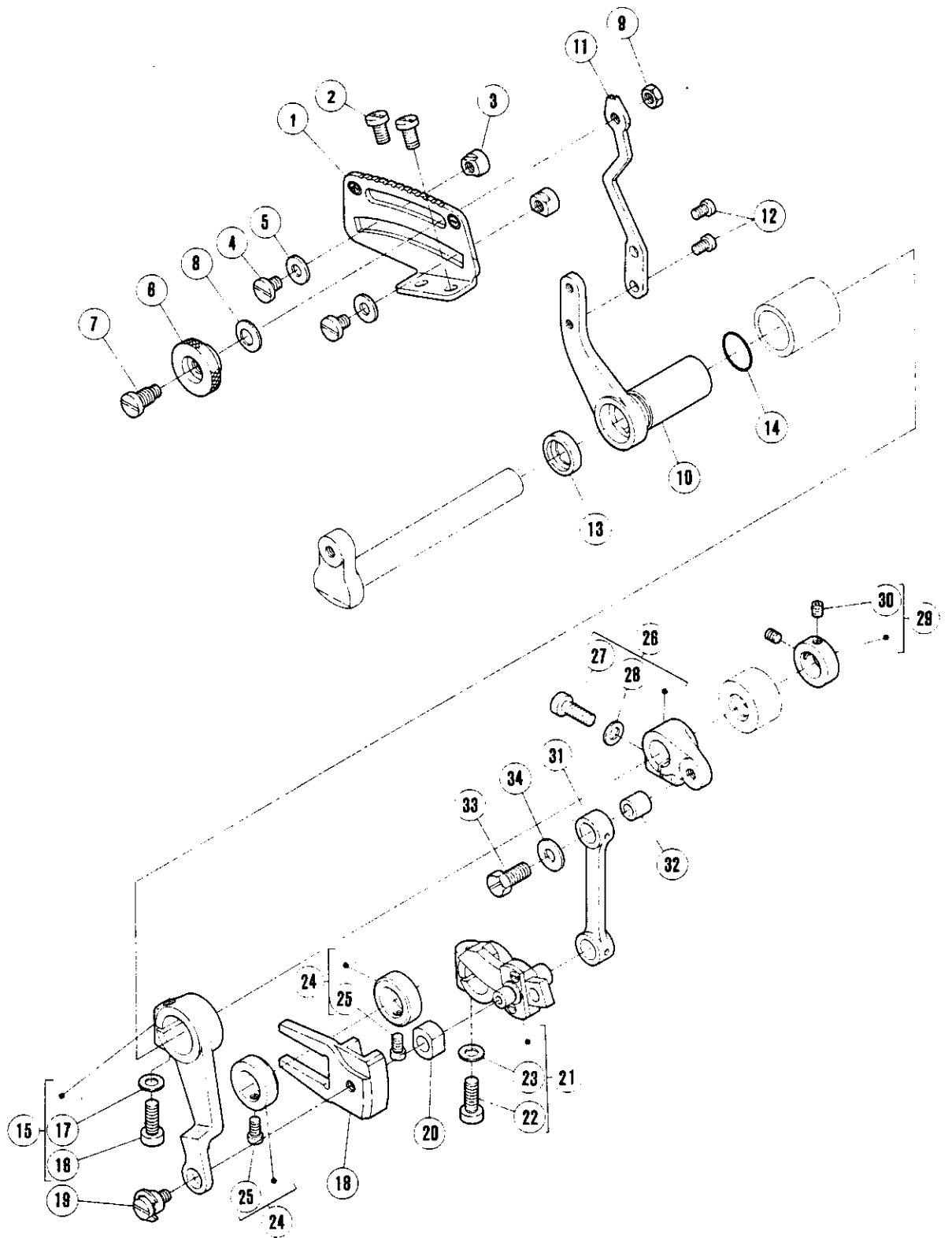
For rear top feed

9732-452FA4

TOP FEED MECHANISM(1)

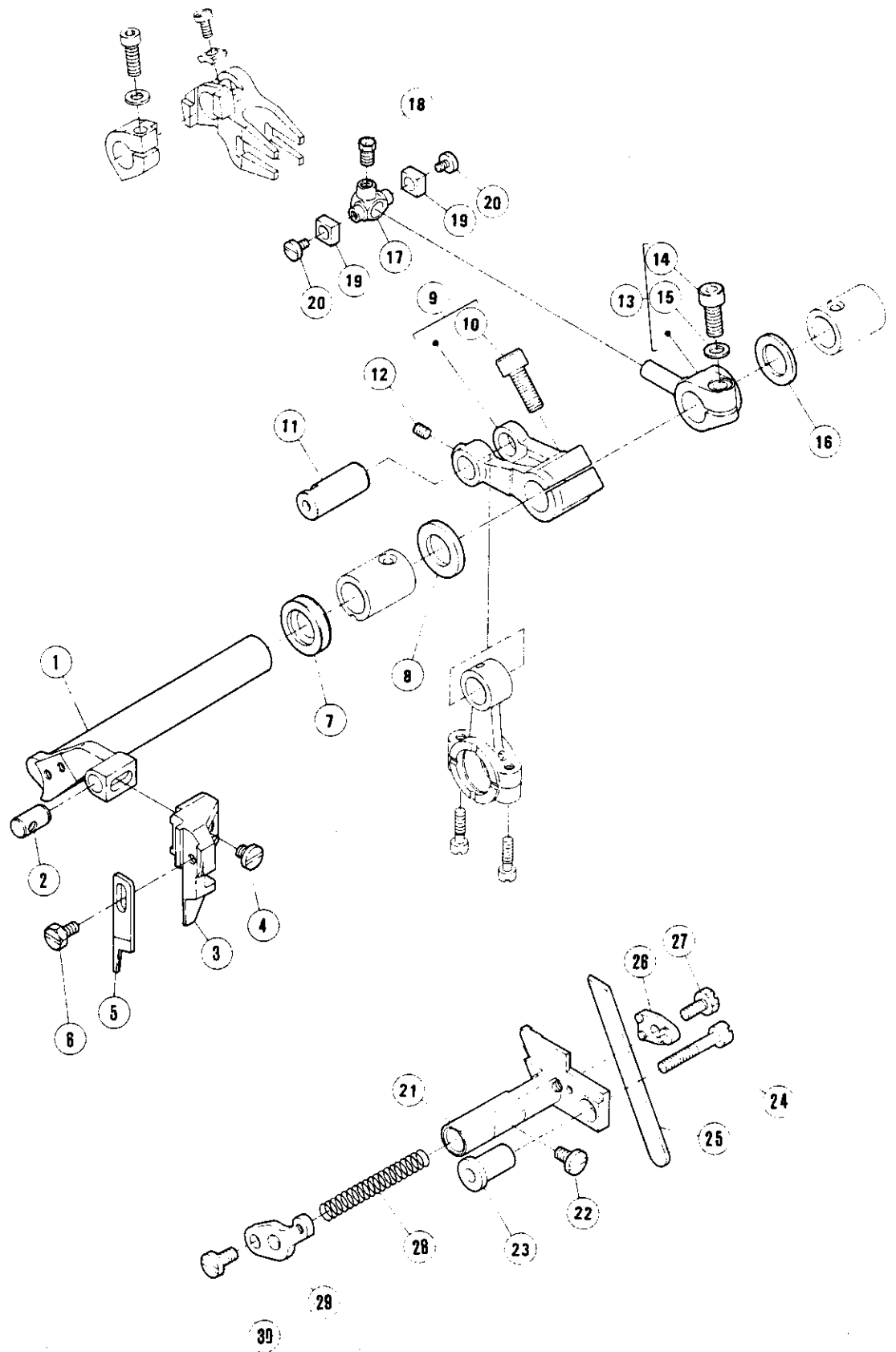
REF. NO.	PART NO.	NAME	QT.	MEMO
1	212440	THUMB SCREW	1	
2	210328	ADJUSTING SCREW NUT	1	
3	212025	PRESSER BAR GUIDE	1	
4	5117	SCREW	2	
5	212026	SPRING	1	
6	212021	PRESSER BAR COMPLETE	1	
7	212145	SPRING	1	
8	212144	FELT	1	
9	212036	SHAFT	1	
10	210148	BUSHING	1	
11	204115	WASHER	1	
12	5489	SCREW	1	
13	212400	TOP FEED BAR	1	
14	212448	PLATE(UPPER)	1	
15	212449	PLATE(LOWER)	1	
16	5492	SCREW	2	
17	XXXXXX	TOP FEED DOG	1	
18	1175-2	SCREW	1	
19	212019	GUIDE (RIGHT)	1	
20	2133-1	SCREW	1	
21	212020	GUIDE (LEFT)	1	
22	5328	SCREW	2	
23	212404	ROD	1	
24	212015	ROLLER	1	
25	5597	SCREW	1	
26	212405	SPACER	1	
27	212447	LATCH	1	
28	5568	SCREW	1	
29	307003	WASHER	1	
30	212445	CRANK	1	
31	212446	CRANK GUIDE	1	
32	5089	SCREW	1	
33	212140	OIL PIPE ASSEMBLY	1	
34	212143	FELT	1	
35	212146	FELT	1	
36	212147	FELT RETAINER	1	
37	2905	SCREW	1	
38	XXXXXX	TOP FEED DOG	1	
39	XXXXXX	TOP FEED DOG	1	
40	1132	SCREW	1	

See pages 58~102 for ××××××.



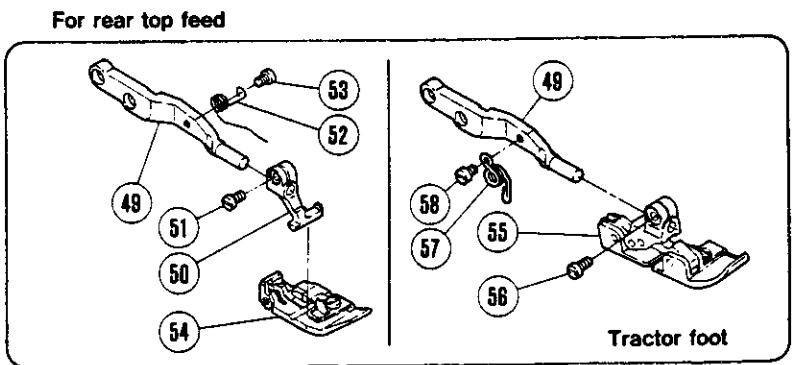
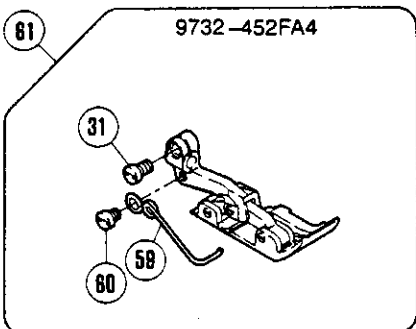
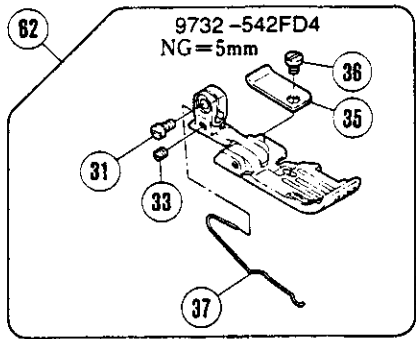
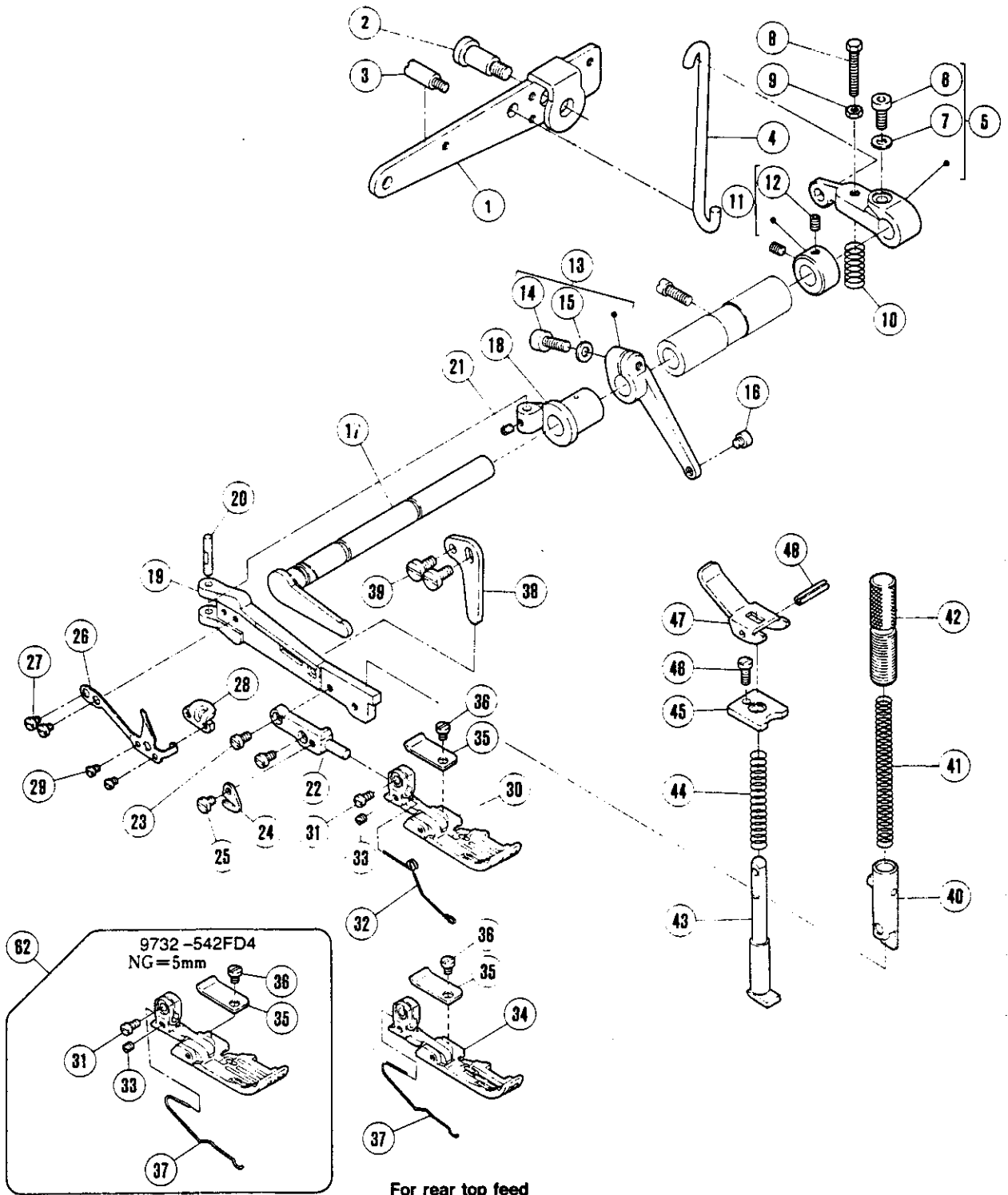
TOP FEED MECHANISM(2)

REF. NO.	PART NO.	NAME	QT.	MEMO
1	212416	BLADE GUIDE	1	
2	5117	SCREW	2	
3	210171	STOPPER	2	
4	2905	SCREW	2	
5	201185	WASHER	2	
6	210167	THUMB NUT	1	
7	5486	SCREW	1	
8	211301	SPRING	1	
9	3044	NUT	1	
10	212042	LEVER	1	
11	212419	LEVER	1	
12	5053	SCREW	2	
13	204052A	OIL SEAL	1	
14	201022	O RING	1	
15	212652	LEVER	1	
16	5594	SCREW	1	
17	307003	WASHER	1	
18	212651	GUIDE/BLOCK	1	
19	5316	SCREW	1	
20	252531	BLOCK	1	
21	212646	CRANK ASSEMBLY	1	
22	5594	SCREW	1	
23	307003	WASHER	1	
24	212653	COLLAR	2	
25	1998-2	SCREW	2	
26	212035	CRANK	1	
27	5594	SCREW	1	
28	307003	WASHER	1	
29	212039	COLLAR	1	
30	5292	SCREW	2	
31	212650	LINK	1	
32	210148	BUSHING	1	
33	5489	SCREW	1	
34	204115	WASHER	1	



KNIFE DRIVE MECHANISM

REF. NO.	PART NO.	NAME	QT.	MEMO
1	213222A	UPPER KNIFE LEVER	1	
2	208579	PIN	1	
3	210315B	UPPER KNIFE CLAMP	1	
4	2902	SCREW	1	
* 5	201121A	UPPER KNIFE	1	
6	5088	SCREW	1	
7	210069	OIL SEAL	1	
8	206180	WASHER	1	
9	210314	CRANK/UPPER KNIFE DRIVE	1	
10	5457	SCREW	1	
11	210175	PIN	1	
12	5461	SCREW	1	
13	212408	CRANK	1	
14	5594	SCREW	1	
15	307003	WASHER	1	
16	208235	WASHER	1	
17	212409	PIN	1	
18	5084	SCREW	1	
19	212410	BLOCK	2	
20	5597	SCREW	2	
21	210316	LOWER KNIFE HOLDER	1	
22	4009-1	SCREW	1	
23	210180	GUIDE/LOWER KNIFE HOLDER	1	
24	5094	SCREW	1	
*25	202295	LOWER KNIFE/THICK	1	
26	210184	CLAMP/LOWER KNIFE	1	
27	2193	SCREW	1	
28	202340	SPRING	1	
29	210183	SPRING RETAINER	1	
30	5117	SCREW	1	

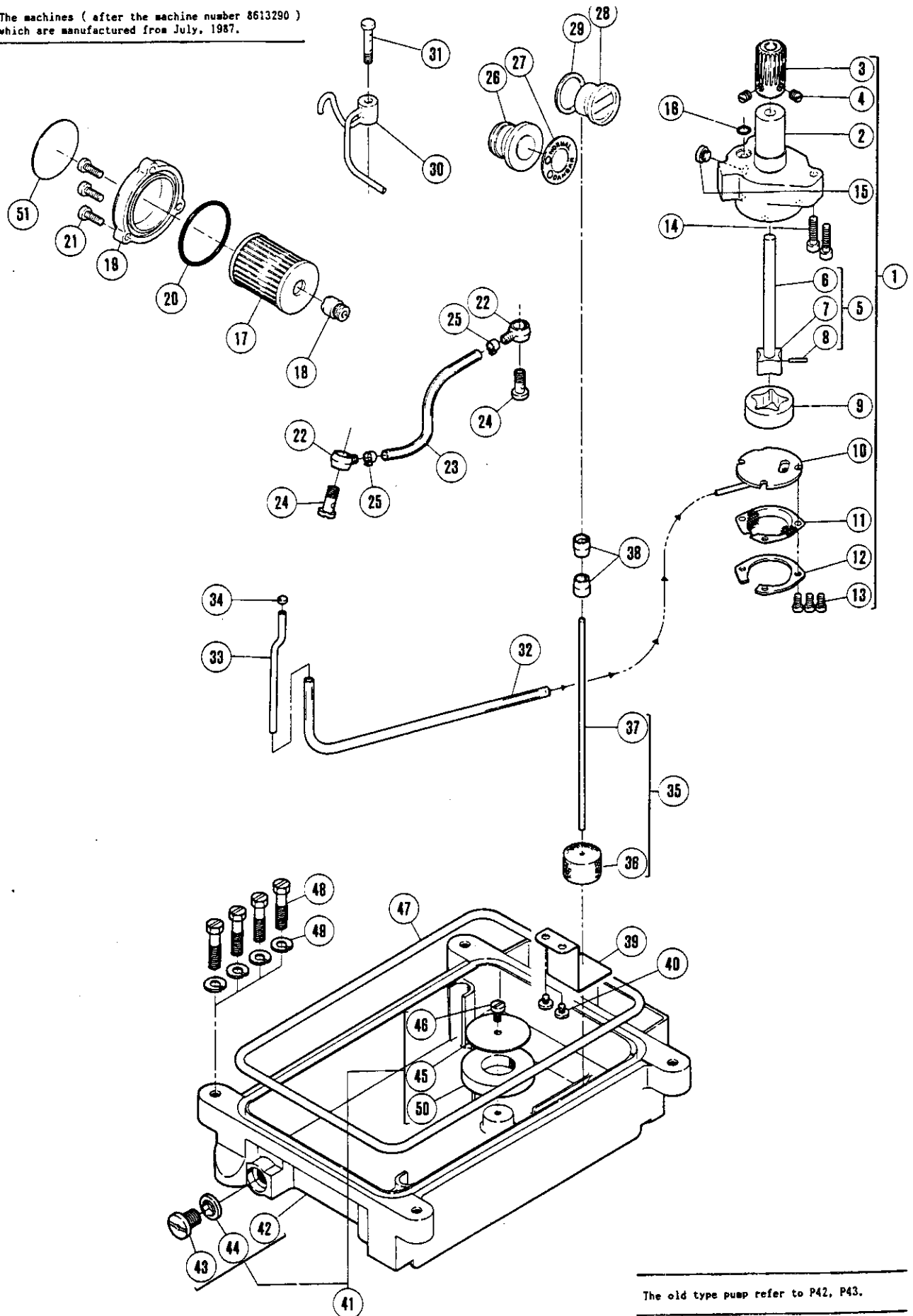


NG=Needle Gauge

PRESSER FOOT MECHANISM

REF. NO.	PART NO.	NAME	QT.	MEMO
1	211636	LEVER/FOOT LIFT	1	
2	2285B	SCREW	1	
3	5481	SCREW	1	
4	210335	LINK/FOOT LIFT LEVER	1	
5	212050	LEVER/FOOT LIFT	1	
6	5457	SCREW	1	
7	207924	WASHER	1	
8	5503	SCREW	1	
9	3044	NUT	1	
10	240172	SPRING	1	
11	210728	COLLAR	1	
12	5292	SCREW	2	
13	212052	LEVER/FOOT LIFT	1	
14	5594	SCREW	1	
15	307003	WASHER	1	
16	5596	SCREW	1	
17	212047	SHAFT/FOOT LIFT	1	
18	212049	HINGE/PRESSER ARM	1	
19	211823	PRESSER ARM	1	
20	210323	PIN	1	
21	5292	SCREW	1	
22	212420	BRACKET/PRESSER FOOT	1	
23	5089	SCREW	2	
24	202451	CHAIN CUTTER	1	
25	2921	SCREW	1	
26	212438	FLAT SPRING	1	
27	5299	SCREW	2	
28	212439	GUIDE	1	
29	5030	SCREW	2	
30	XXXXXX	PRESSER FOOT ASSEMBLY	1	
31	5328	SCREW	1	
32	212669	SPRING	1	
33	1459	SCREW	1	
34	XXXXXX	PRESSER FOOT ASSEMBLY	1	
35	212668	EUXILIARY PLATE	1	
36	5030	SCREW	1	
37	212719	SPRING	1	
38	210517	STOPPER/PRESSER ARM	1	
39	5117	SCREW	1	
40	208537	PRESSER BAR COMPLETE	1	
*41	211941	SPRING	1	
42	208774	THUMB SCREW	1	
43	202645	PLUNGER	1	
44	201395	SPRING	1	
45	208599	BUSHING	1	
46	5029	SCREW	1	
47	211657	LEVER/HAND LIFT	1	
48	202647A	PIN	1	
49	212705	BRACKET/PRESSER FOOT	1	
50	212062	HOLDER	1	
51	5328	SCREW	1	
52	212063	SPRING	1	
53	2921	SCREW	1	
54	XXXXXX	PRESSER FOOT ASSEMBLY	1	
55	XXXXXX	PRESSER FOOT ASSEMBLY	1	
56	5328	SCREW	1	
57	211517	SPRING	1	
58	2921	SCREW	1	
59	212923	SPRING	1	
60	2921	SCREW	1	
61	XXXXXX	PRESSER FOOT ASSEMBLY	1	

The machines (after the machine number 8613290)
 which are manufactured from July, 1987.

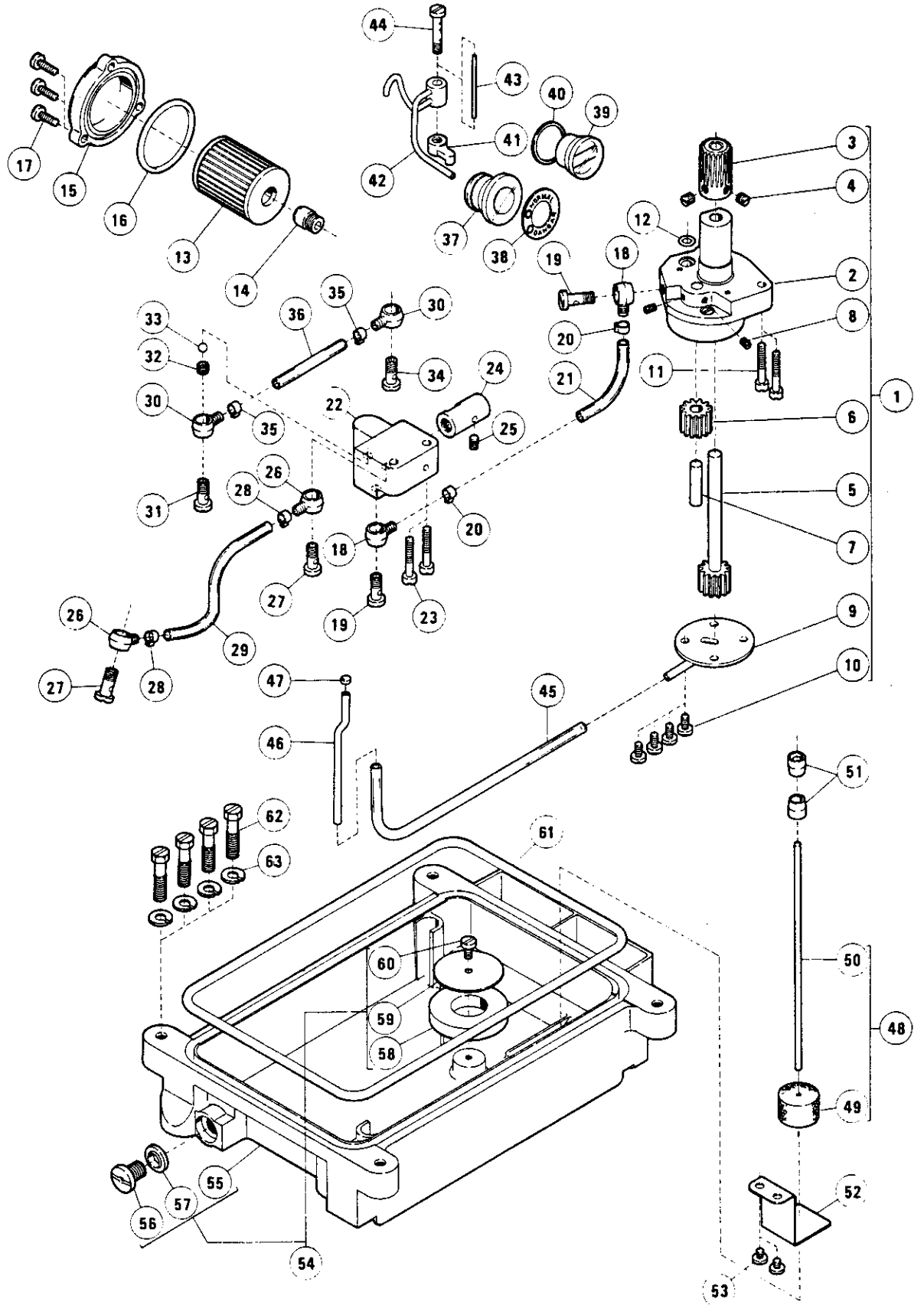


The old type pump refer to P42, P43.

LUBRICATING MECHANISM

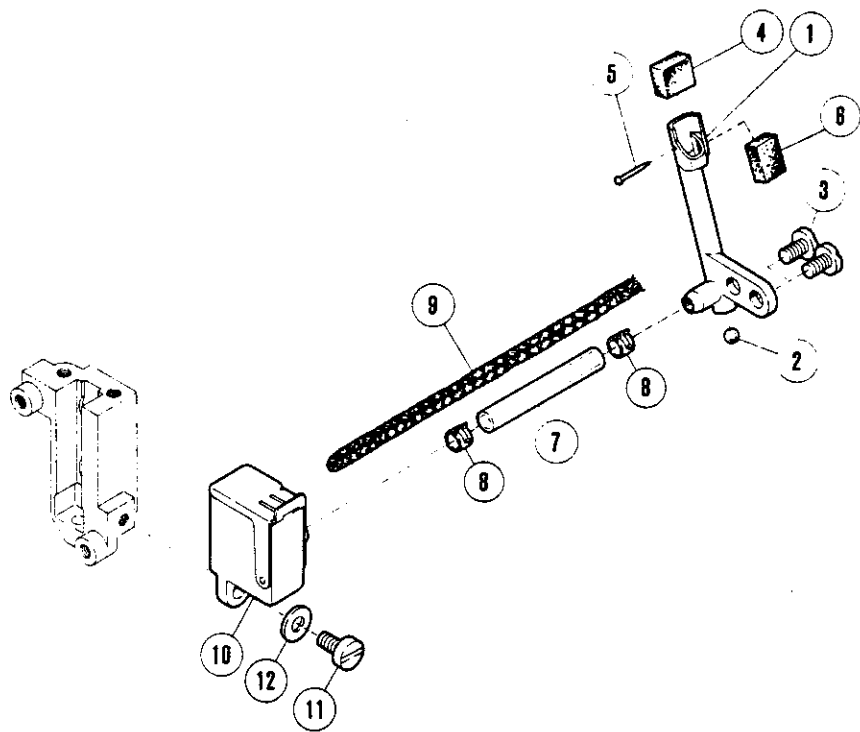
REF. NO.	PART NO.	NAME	QT.	MEMO
1	212972A91	TROCHOID PUMP ASSEMBLY	1	
* 2	212976	TROCHOID PUMP	1	
3	211531	WORM WHEEL	1	
4	5060	SCREW	2	
5	212978-91	ROTOR (INSIDE) SHAFT	1	
* 6	212979	SHAFT	1	
* 7	212980	ROTOR (INSIDE)	1	
* 8	206468	PIN	1	
9	212981	ROTOR (OUTSIDE)	1	
10	212983-91	PLATE	1	
11	213578A	FILTER	1	
12	213579	GUIDE	1	
13	1175-2	SCREW	3	
14	5095	SCREW	2	
15	5145	SCREW	1	
16	204185	O RING	1	
17	206233	OIL FILTER	1	
18	210200	BRACKET/OIL FILTER	1	
19	210201-CD	OIL FILTER CAP	1	
20	206431	O RING	1	
21	5118	SCREW	3	
22	200136	JOINT	2	
23	205113A	OIL TUBE	1	
24	200152	JOINT SCREW	2	
25	202199	CLAMP	2	
26	210198	OIL MONITOR COMPLETE	1	
27	210199	NAME PLATE/OIL MONITOR	1	
28	210190	OIL SIGHT GAUGE	1	
29	211369	WASHER	1	
30	212188	OIL DISTRIBUTOR	1	
31	212998	JOINT SCREW	1	
32	212152	TUBE	1	
33	212153	PIPE	1	
34	303487	FELT	1	
35	210193	INDICATOR COMPLETE	1	
*36	179257-05	FLOAT	1	
*37	210192	INDICATOR	1	
38	210194	INDICATOR GUIDE	2	
39	210510	INDICATOR SUPPORT	1	
40	2905	SCREW	2	
41	212634	OIL RESERVOIR COMPLETE	1	
42	210211	OIL RESERVOIR	1	
43	5138B	SCREW	1	
44	202287A	GASKET	1	
45	210521	MAGNET BRACKET	1	
46	5117	SCREW	1	
47	210212	O RING	1	
48	5113	SCREW	4	
49	202045	SPRING WASHER	4	
50	210520	MAGNET	1	
51	9A3002	FILTER SEAL	1	

Notice) Parts with mark ※ are not for sale.



LUBRICATING MECHANISM (OLD TYPE)

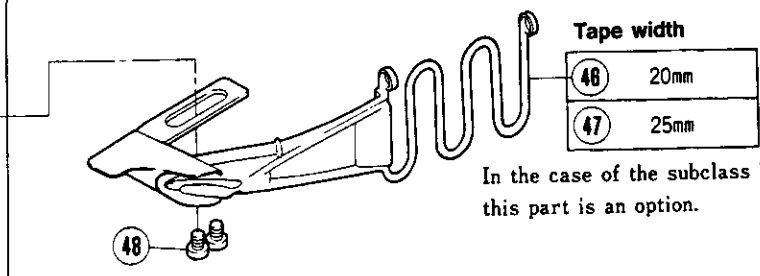
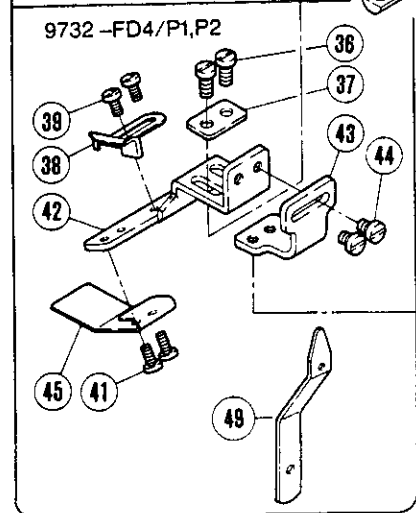
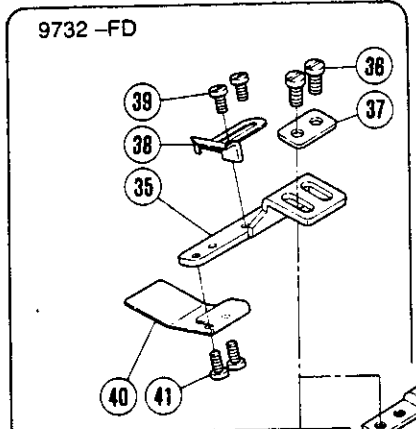
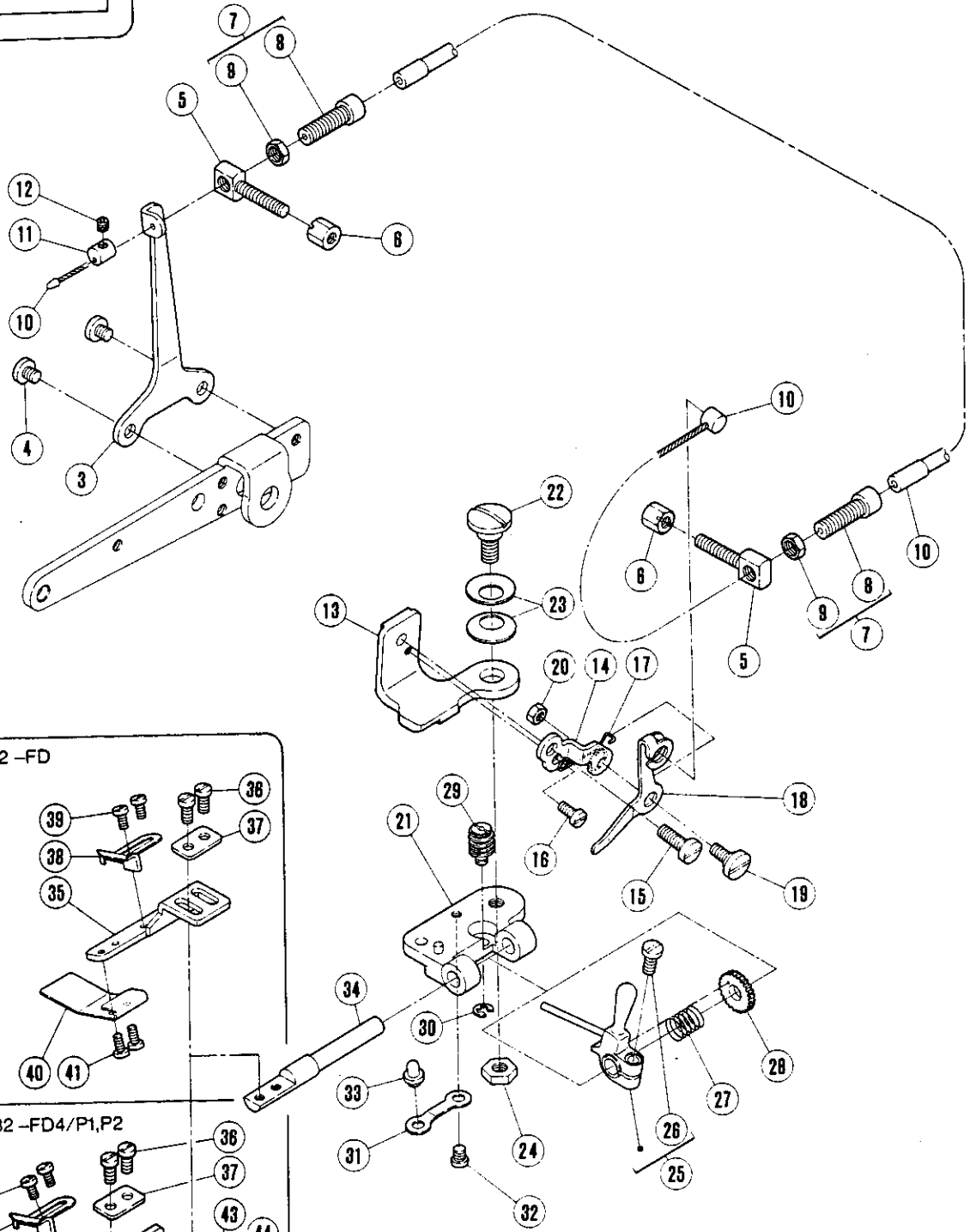
REF. NO.	PART NO.	NAME	QT.	MEMO
1	212148	OIL PUMP ASSEMBLY	1	
* 2	210188	GEAR PUMP	1	
3	211531	WORM WHEEL	1	
4	5060	SCREW	2	
5	208687	GEAR	1	
6	201295	GEAR	1	
7	204184	GEAR SHAFT	1	
8	1458	SCREW	2	
* 9	212149	CASING PLATE	1	
10	5117	SCREW	4	
11	5095	SCREW	2	
12	204185	O RING	1	
13	206233	OIL FILTER	1	
14	210200	BRACKET/OIL FILTER	1	
15	210201-FD	OIL FILTER CAP	1	
16	206431	O RING	1	
17	5118	SCREW	3	
18	200136	JOINT	2	
19	200152	JOINT SCREW	2	
20	202199	CLAMP	2	
21	210701	OIL TUBE	1	
22	210206	BY-PASS BLOCK	1	
23	5095	SCREW	2	
24	205635	BY-PASS VALVE ASSEMBLY	1	
25	1458	SCREW	1	
26	200136	JOINT	2	
27	200152	JOINT SCREW	2	
28	202199	CLAMP	2	
29	205763	OIL TUBE	1	
30	200136	JOINT	2	
31	200152	JOINT SCREW	1	
32	210744	POST	1	
33	200144	BALL	1	
34	200152	JOINT SCREW	1	
35	202199	CLAMP	2	
36	210208	TUBE	1	
37	210198	OIL MONITOR COMPLETE	1	
38	210199	NAME PLATE/OIL MONITOR	1	
39	210190	OIL SIGHT GAUGE	1	
40	211369	WASHER	1	
41	210202	LUBRICATION BLOCK	1	
42	212188	OIL DISTRIBUTOR	2	
43	210205	PIN	1	
44	210204	JOINT SCREW	1	
45	212152	TUBE	1	
46	212153	PIPE	1	
47	303487	FELT	1	
48	210193	INDICATOR COMPLETE	1	
*49	179257-05	FLOAT	1	
*50	210192	INDICATOR	1	
51	210194	INDICATOR GUIDE	2	
52	210510	INDICATOR SUPPORT	1	
53	2905	SCREW	2	
54	212634	OIL RESERVOIR COMPLETE	1	
55	210211	OIL RESERVOIR	1	
56	5138B	SCREW	1	
57	202287A	GASKET	1	
58	210520	MAGNET	1	
59	210521	MAGNET BRACKET	1	
60	5117	SCREW	1	
61	210212	O RING	1	
62	5113	SCREW	4	
63	202045	SPRING WASHER	4	



H.R. DEVICE

REF. NO.	PART NO.	NAME	QT.	MEMO
1	210317	NEEDLE COOLER	1	
2	210214	PLUG	1	
3	5091	SCREW	2	
4	204466	OIL WICK	1	
* 5	210766	PIN	1	
6	240178	OIL FELT	1	
7	211639	OIL TUBE	1	
8	200155	TUBE CLAMP	2	
* 9	202176	OIL WICK	1	
10	210539	SILICONE OIL RESERVOIR (LOWER)	1	
11	5345	SCREW	1	
12	201185	WASHER	1	

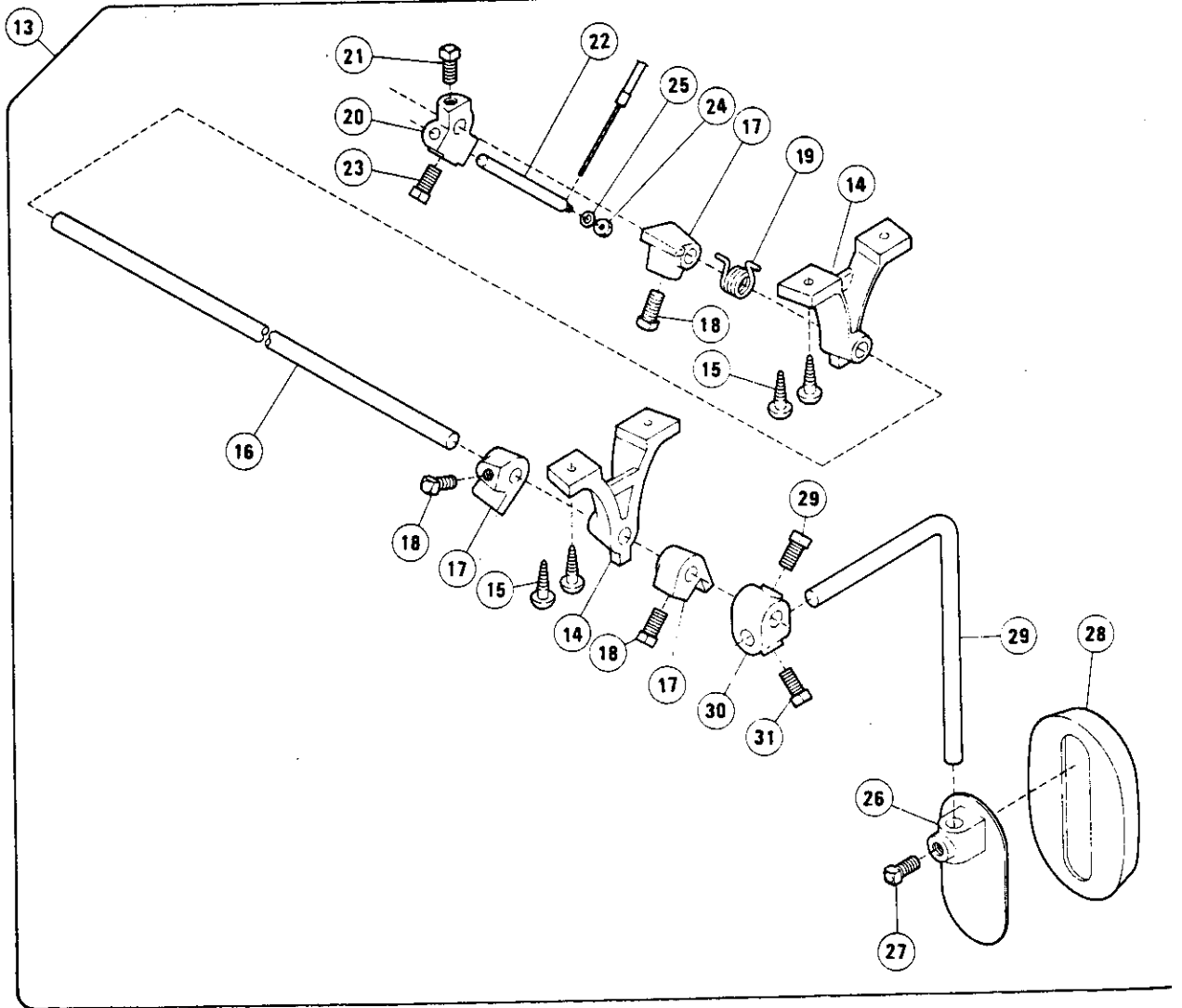
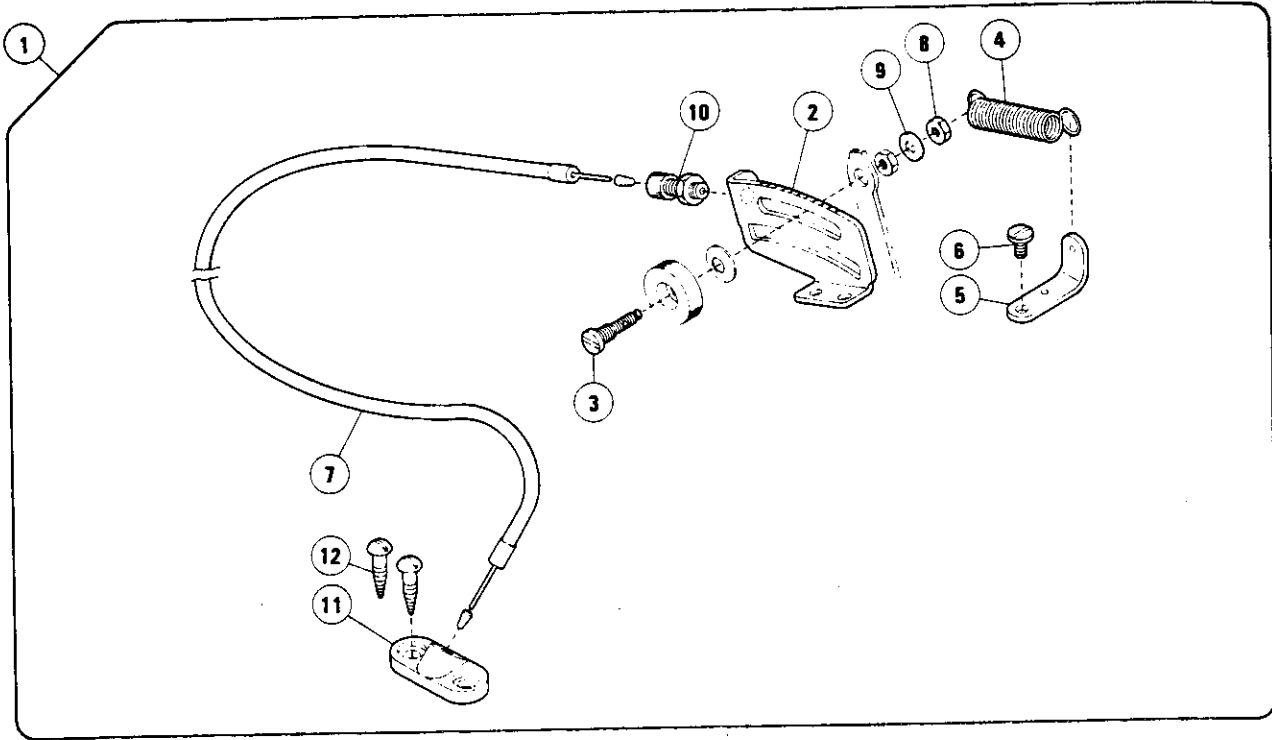
- 1 9732 -FD
- 2 9732 -FD4/P1,P2



In the case of the subclass "P1" this part is an option.

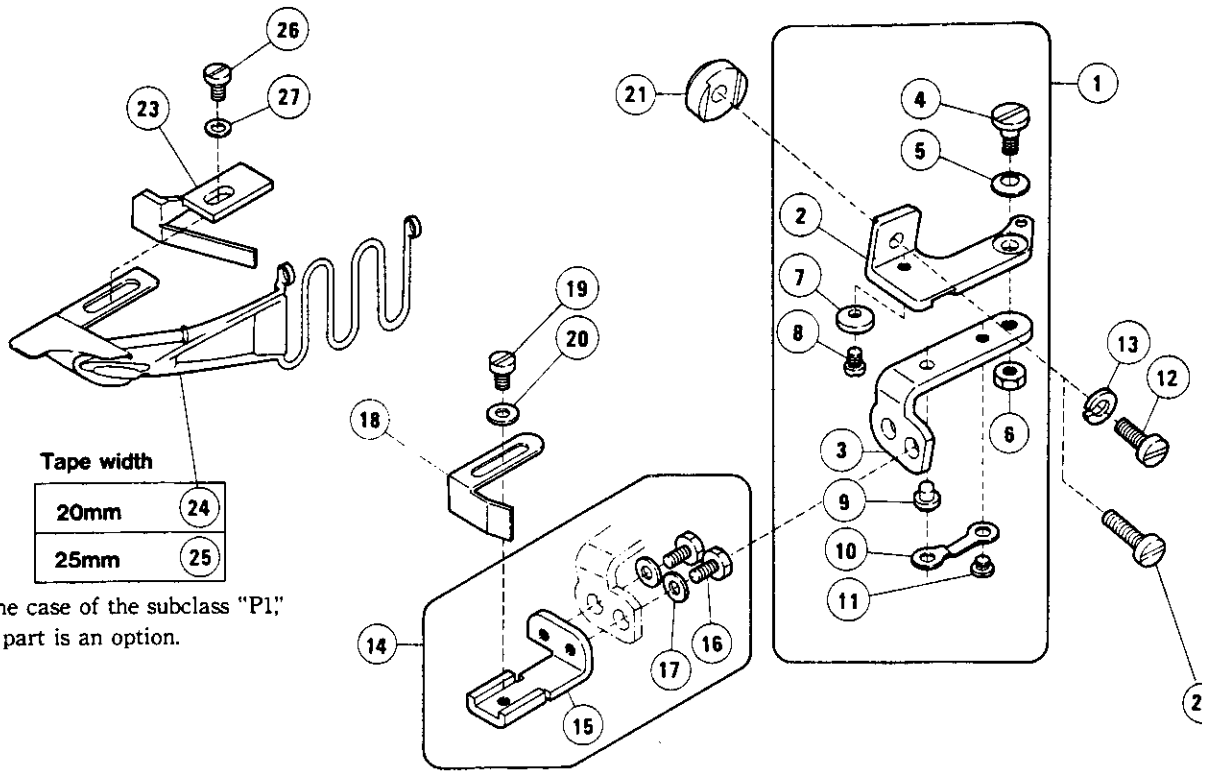
SHIRRING ATTACHMENT

REF. NO.	PART NO.	NAME	QT.	MEMO
1	212655	SHIRRING ATTACHMENT COMPLETE	1	
2	212655A91	SHIRRING ATTACHMENT COMPLETE	1	
3	212433	LEVER	1	
4	2905	SCREW	2	
5	212437	BRACKET	2	
6	5111	SCREW	2	
7	212436	CABLE SUPPORT	2	
* 8	212477	CABLE SUPPORT	2	
9	4806	NUT	2	
10	212435	CABLE	1	
11	212434	STOPPER	1	
12	1459	SCREW	1	
13	212600	BRACKET	1	
14	212430	BRACKET	1	
15	5118	SCREW	1	
16	5328	SCREW	1	
17	212432	SPRING	1	
18	212431	LEVER	1	
19	5515	SCREW	1	
20	3091	NUT	1	
21	212601	BRACKET	1	
22	5380	SCREW	1	
23	204888	SPRING	2	
24	5104	NUT	1	
25	212604	LEVER	1	
26	1175-2	SCREW	1	
27	212606	SPRING	1	
28	212607	GEAR	1	
29	212602	WORM	1	
30	200555	RING	1	
31	210684	FLAT SPRING	1	
32	1234	SCREW	1	
33	210683	PIN	1	
34	212603	ROD	1	
35	212659	BRACKET	1	
36	1196	SCREW	2	
37	210955	WASHER	1	
38	212660	CLOTH GUIDE	1	
39	5077	SCREW	2	
40	212658	SHIRRING BLADE	1	
41	5077	SCREW	2	
42	212938	BRACKET	1	
43	212939	BRACKET	1	
44	2921	SCREW	2	
45	212658A	SHIRRING BLADE	1	
46	211880	BINDER (20)	1	
47	211946	BINDER (25)	1	
48	2921	SCREW	2	
49	211949	CORD GUIDE PLATE	1	

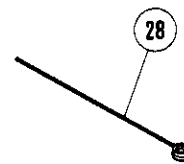
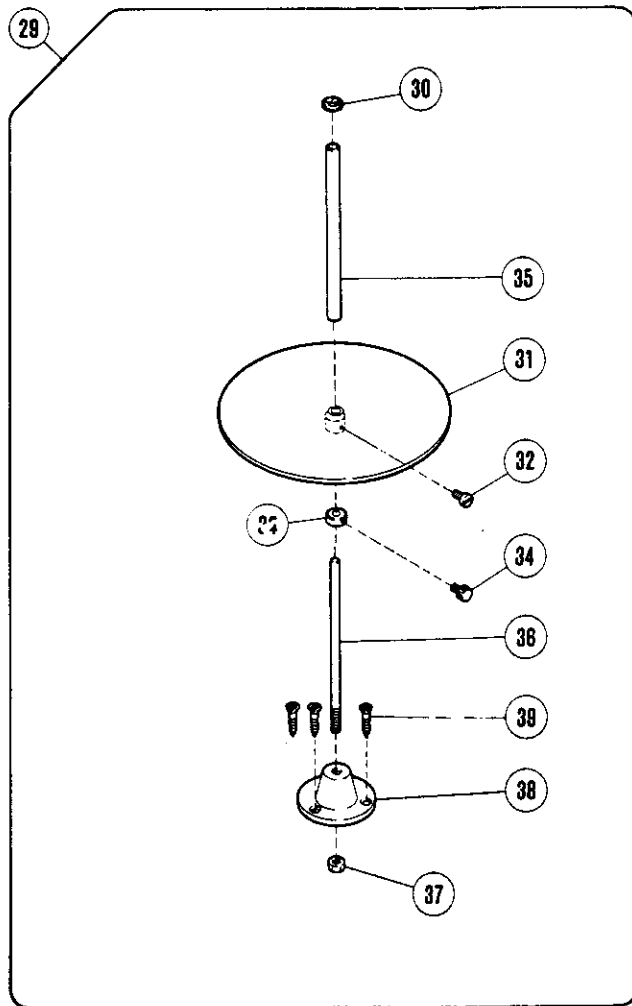


KL DEVICE (MANUAL TYPE)

REF. NO.	PART NO.	NAME	QT.	MEMO
1	212478	INTERMITTENT ATTACHMENT	1	
2	212479	BLADE GUIDE	1	
3	212480	SCREW	1	
4	212481	SPRING	1	
5	212482	LATCH	1	
6	4009-1	SCREW	1	
7	212483	CABLE	1	
8	3044	NUT	1	
9	204585	WASHER	1	
10	212436	CABLE SUPPORT	1	
11	212484	BRACKET	1	
12	4906	SCREW	2	
13	212487	KNEE LIFTER ASSEMBLY	1	
14	207341-JA	FRAME	2	
15	4906	SCREW	4	
16	212485	ROD	1	
17	207344-JA	COLLAR	3	
18	5543	BOLT	3	
19	209287	SPRING	1	
20	207350-JA	BRACKET	1	
21	5543	BOLT	1	
22	212486	LEVER	1	
23	5543	BOLT	1	
24	4805	NUT	1	
25	202058	WASHER	1	
26	207345-JA	KNEE PAD BASE	1	
27	5543	BOLT	1	
28	207346	KNEE PAD	1	
29	212492	ROD	1	
30	212493-JA	BRACKET	1	
31	5543	BOLT	2	



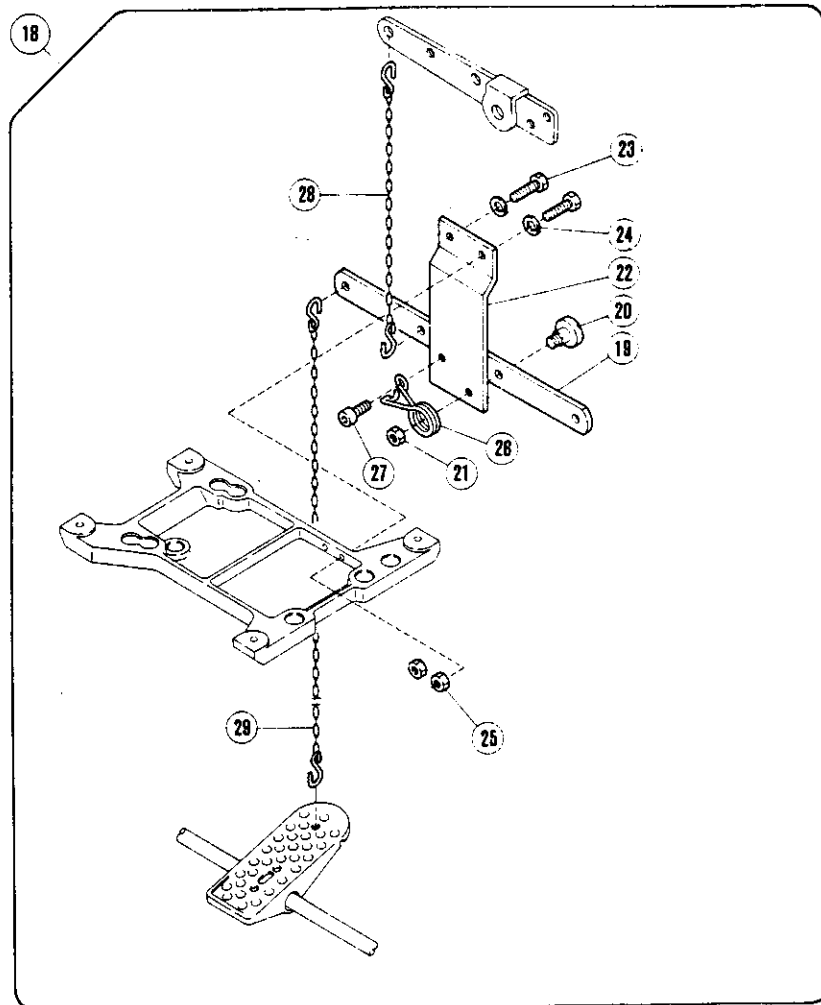
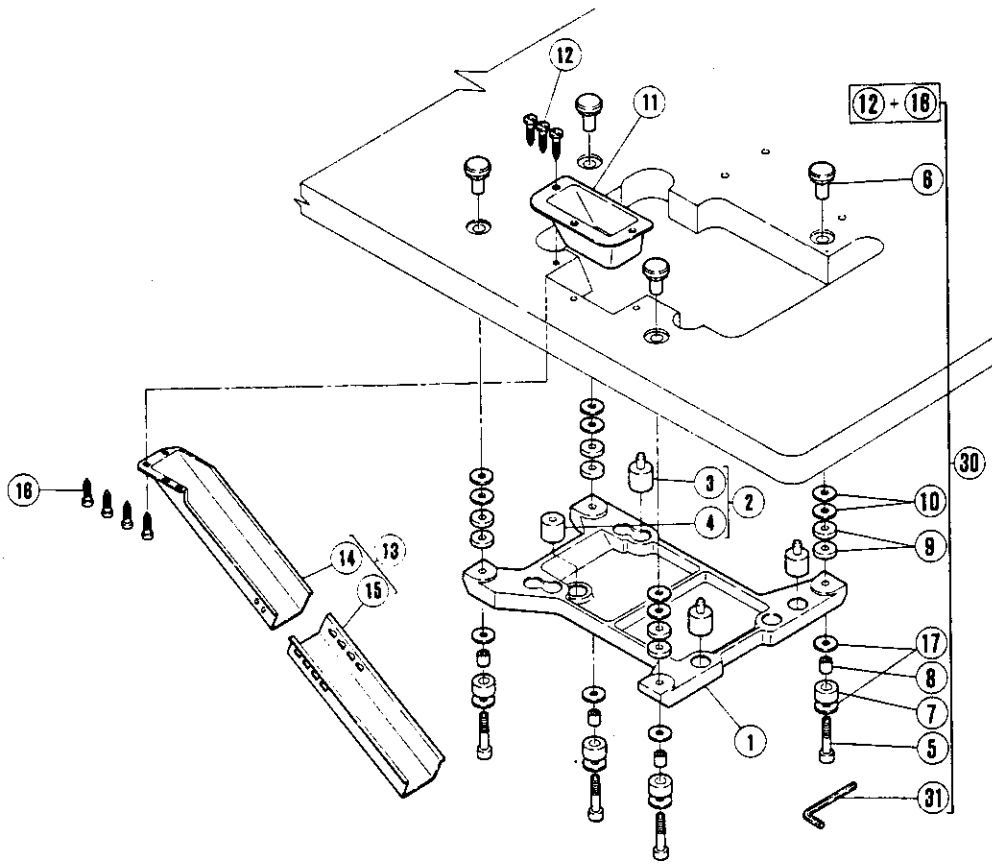
In the case of the subclass "P1,"
this part is an option.



In the case of the subclass "P1,"
this part is an option.

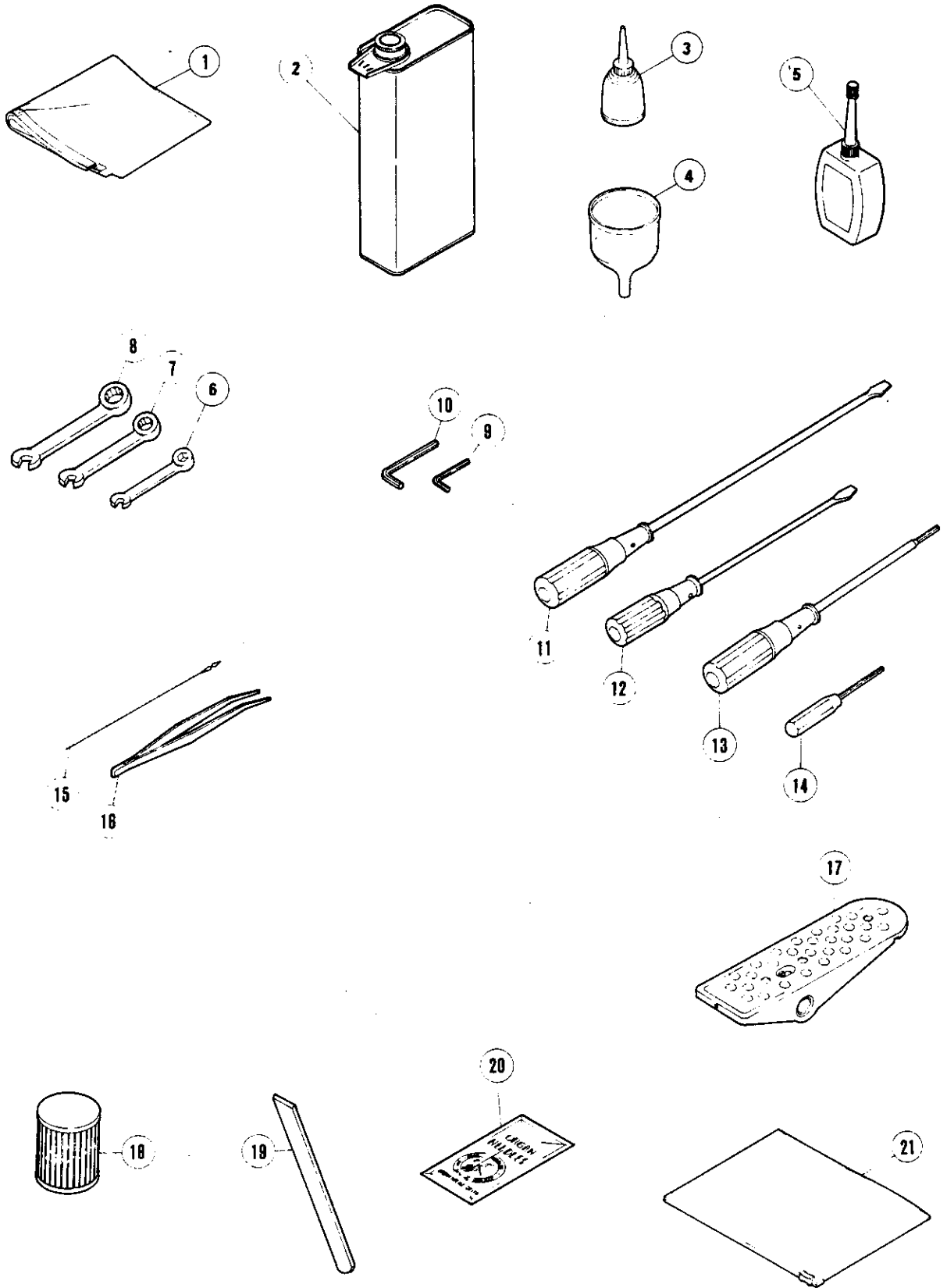
EDGE GUIDE PIPING ATTACHMENT

REF. NO.	PART NO.	NAME	QT.	MEMO
1	210685	CLOTH GUIDE BRACKET ASSEMBLY	1	
2	210680	CLOTH GUIDE BRACKET	1	
3	210681	HINGE/EDGE GUIDE BRACKET	1	
4	5184	SCREW	1	
5	201191	SPRING	1	
6	3044	NUT	1	
7	210682	STOPPER	1	
8	5053	SCREW	1	
9	210683	PIN	1	
10	210684	FLAT SPRING	1	
11	2906	SCREW	1	
12	5118	SCREW	1	
13	202286	SPRING WASHER	1	
14	210686	BRACKET COMPLETE/EDGE GUIDE	1	
15	210687	BRACKET/EDGE GUIDE	1	
16	5088	SCREW	2	
17	167066	WASHER	2	
18	201233A	EDGE GUIDE	1	
19	1202	SCREW	1	
20	167066	WASHER	1	
21	212287	SPACER	1	
22	5152	SCREW	1	
23	211879	EDGE GUIDE	1	
24	211880	BINDER (20)	1	
25	211946	BINDER (25)	1	
26	1202	SCREW	1	
27	167066	WASHER	1	
28	413	TAPE INSERTING TOOL	1	
29	403	TAPE DISC ASSEMBLY	1	
30	406	FELT	1	
31	404	TAPE DISC	1	
32	4012	SCREW	1	
33	407	COLLAR	1	
34	408	ADJUSTING SCREW	1	
35	405	FIXING ROD	1	
36	409	SHAFT	1	
37	4818	NUT	1	
38	410-JA	BRACKET	1	
39	4908	SCREW	3	



PARTS FOR SEMI-SUBMERGED INSTALLATION

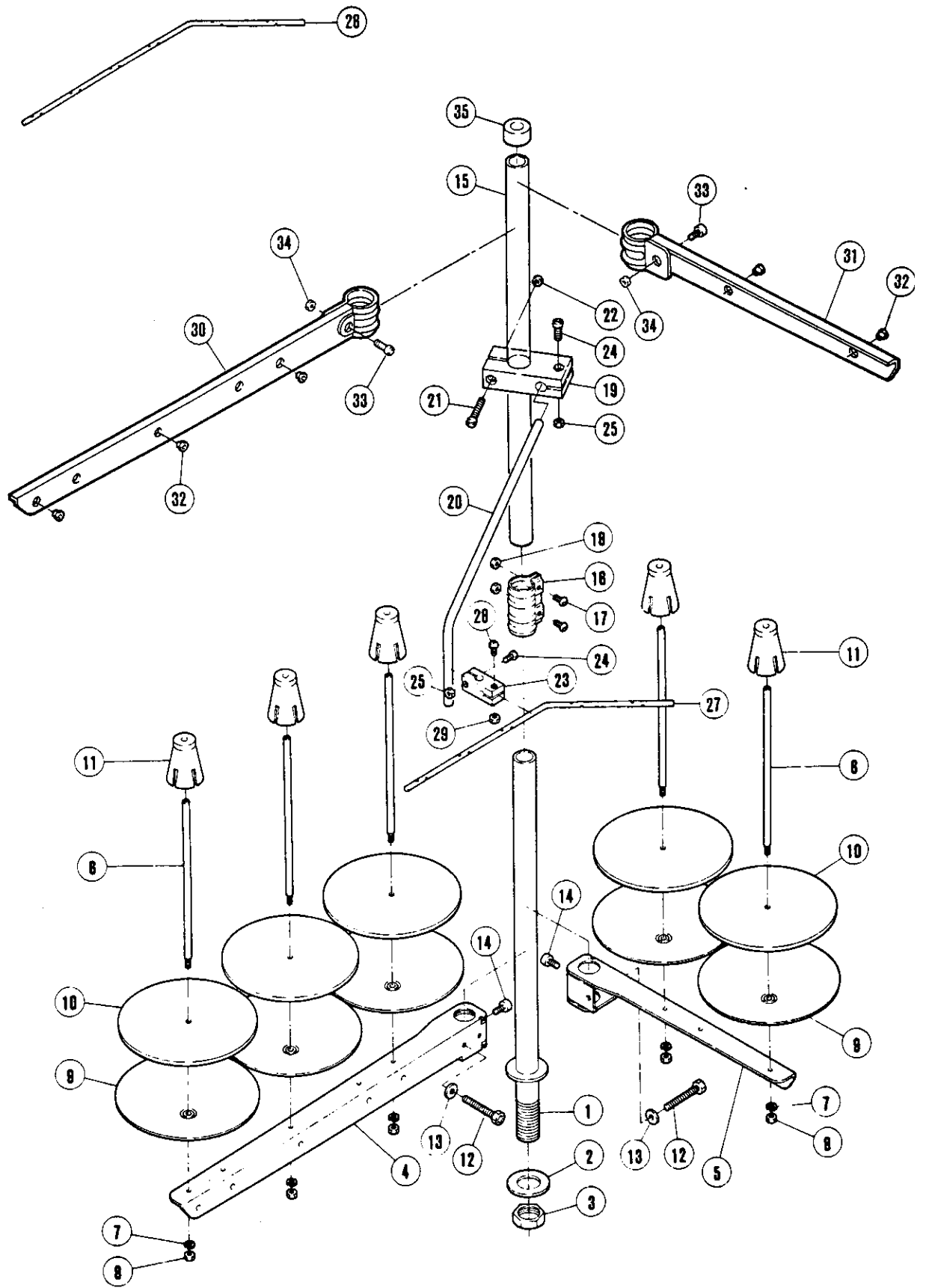
REF. NO.	PART NO.	NAME	QT.	MEMO
1	205466A	MACHINE REST BOARD	1	
2	9029	CUSHION RUBBER (SET)	1	
3	205473	CUSHION RUBBER	3	
4	210523	CUSHION RUBBER	1	
5	4512	SCREW	4	
6	206336	NUT	4	
7	205764	CUSHION RUBBER	4	
8	205765	LINER	4	
9	205467	SPACER	8	
10	206337	WASHER	8	
11	205470-JA	WASTE CHUTE TOP	1	
12	4904	SCREW	3	
13	9050	WASTE CHUTE SET	1	
14	205468-JA	WASTE CHUTE TOP	1	
15	205469-JA	WASTE CHUTE TOP (B)	1	
16	4906	SCREW	4	
17	206337	WASHER	8	
18	212441	FOOT LIFTER ASSEMBLY	1	
19	212442	LEVER	1	
20	5380	SCREW	1	
21	5104	NUT	1	
22	212443	BRACKET	1	
23	5276	SCREW	2	
24	303067	SPRING WASHER	2	
25	5426	NUT	2	
26	212444	SPRING	1	
27	5534	SCREW	1	
28	470	CHAIN	1	
29	471	CHAIN	1	
30	9030	BOLT SET	1	
31	272	ALLEN KEY/6MM	1	



ACCESSORIES

REF. NO.	PART NO.	NAME	QT.	MEMO
1	908	DUST COVER		
2	453	OIL CONTAINER/1000CC		
3	485	OILER		
4	484	OIL FUNNEL		
5	178	CONTAINER - SILICONE		
6	282	WRENCH/5MM		
7	284	WRENCH/7MM		
8	285	WRENCH/8MM		
9	322	ALLEN KEY/2.38MM		
10	200	ALLEN KEY/4.76MM		
11	127	SCREWDRIVER (LARGE)		
12	128	SCREWDRIVER (MEDIUM)		
13	414	ALLEN KEY DRIVER/3.17MM		
14	179	ALLEN KEY DRIVER		
15	153	THREADING WIRE		
16	131	TWEEZERS		
17	480	PEDAL		
18	206233	OIL FILTER		
*19	202295	LOWER KNIFE/THICK		
20	XXXXXX	NEEDLE		
21	482	ACCESSORY BAG		

See pages 58~102 for ×××××.

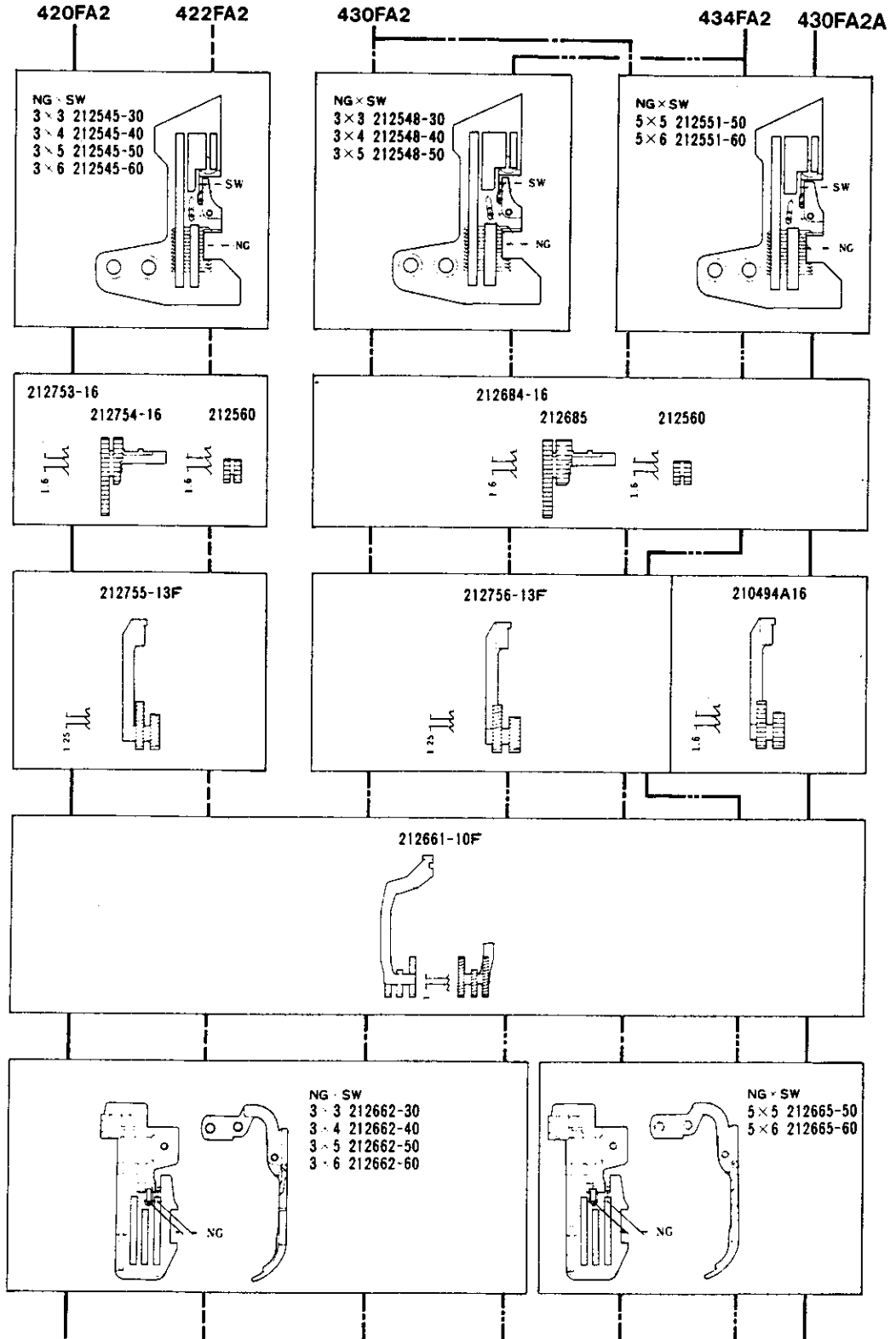


THREAD STAND

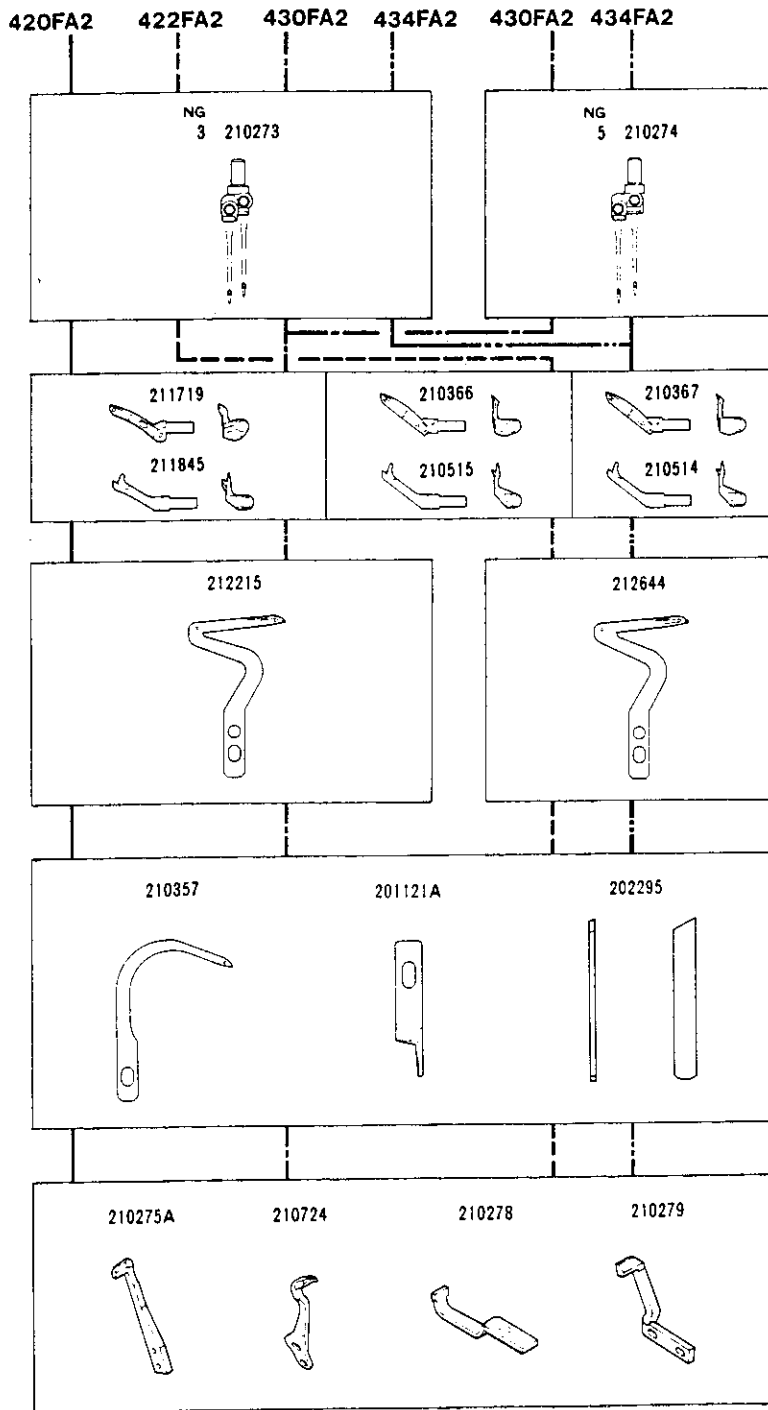
REF. NO.	PART NO.	NAME	QT.	MEMO
	486-9C	THREAD STAND ASS. (6-SPOOLS)		1
	486A9C	THREAD STAND ASS. (5-SPOOLS)	1	
1	503-CA	THREAD STAND ROD (LOWER)	1	1
2	509	WASHER	1	1
3	5476	NUT	1	1
4	505-CA	BRACKET	1	2
5	505ACA	BRACKET	1	
6	380A	SPOOL PIN	5	6
7	201252	SPRING WASHER	5	6
8	4803	NUT	5	6
9	381-CA	SPOOL TRAY	5	6
10	507	CUSHION	5	6
11	382-CA	SPOOL RETAINING FIN	5	6
12	7102	SCREW	2	2
13	512	WASHER	2	2
14	4022	SCREW	2	2
15	502-CA	THREAD STAND ROD (UPPER)	1	1
16	504-CA	JOINT	1	1
17	4021	SCREW	2	2
18	4805	NUT	2	2
19	383-CA	BRACKET	1	1
20	384	THREAD GUIDE BAR ROD	1	1
21	4014	SCREW	1	1
22	4803	NUT	1	1
23	233-CA	HOLDER	1	1
24	4012	SCREW	2	2
25	4803	NUT	2	2
26	293	THREAD GUIDE BAR (6-SPOOLS)		1
27	293A	THREAD GUIDE BAR (5-SPOOLS)	1	
28	4012	SCREW	1	1
29	4803	NUT	1	1
30	527-CA	BRACKET	1	2
31	527ACA	BRACKET	1	
32	506	THREAD EYELET	5	6
33	4117	SCREW	2	2
34	4805	NUT	2	2
35	386	ROD CAP	1	1

9732-420FA2/16-413
9732-422FA2/16-313

9732-430FA2/16-433
9732-434FA2/16-333



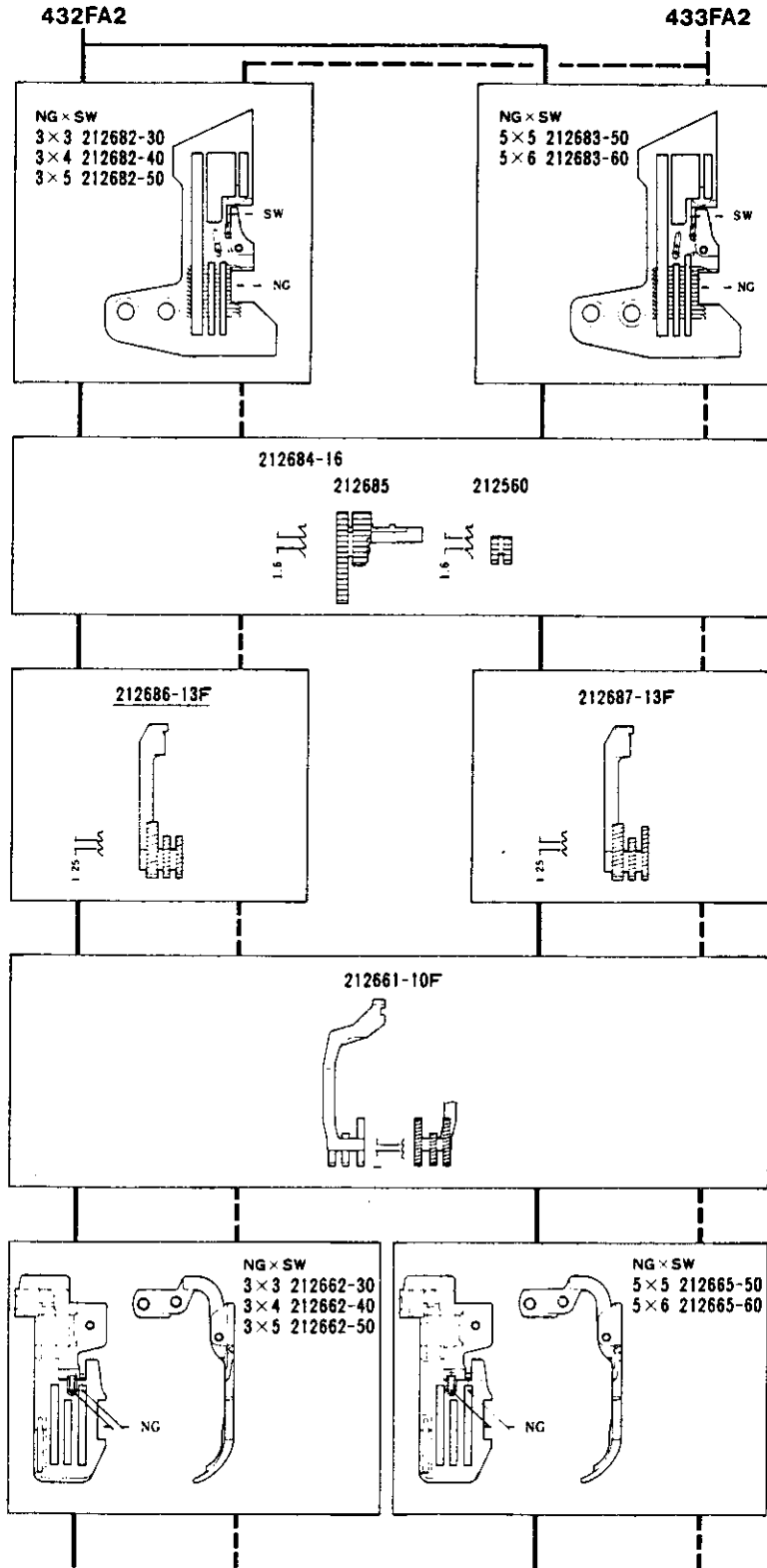
NG=NEEDLE GAUGE
SW=SEAM WIDTH

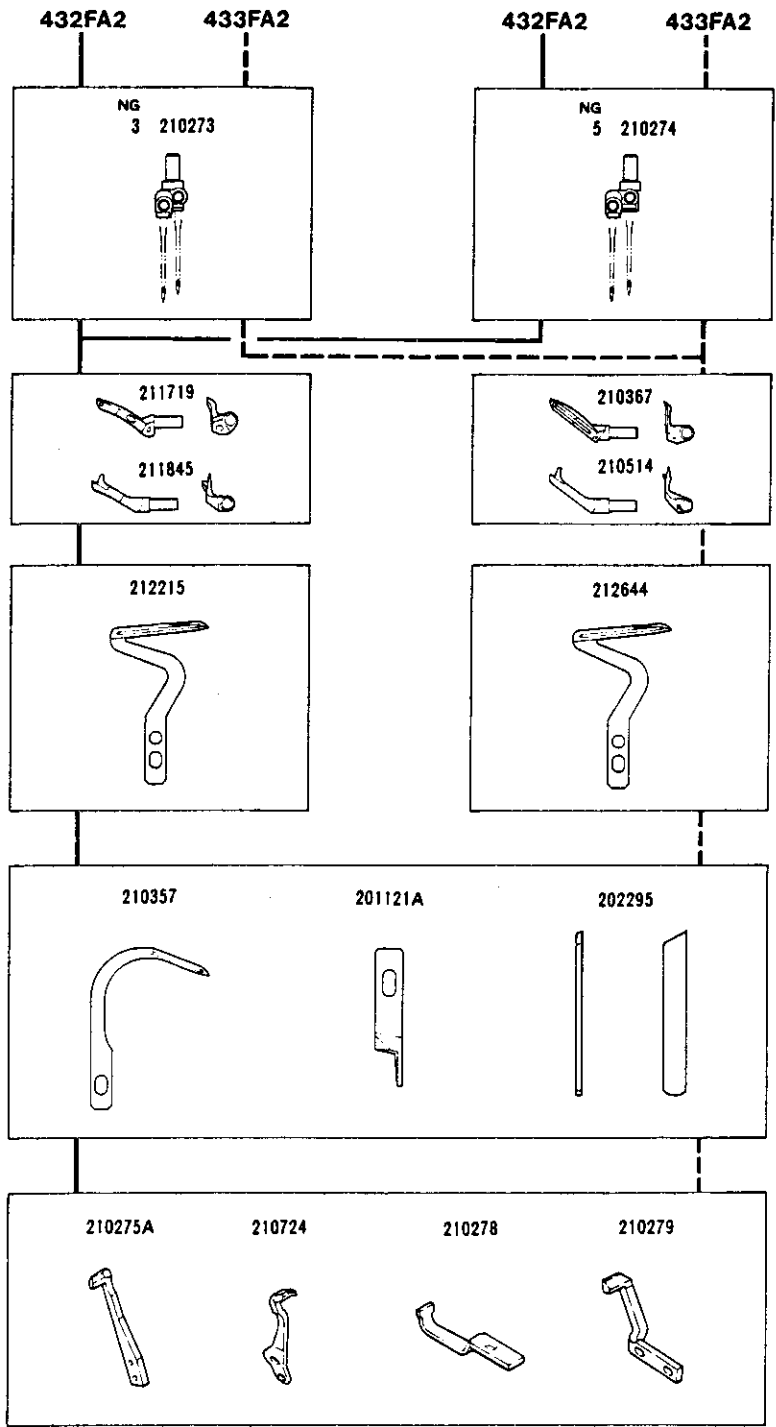


SEAMING






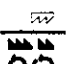



										MEMO	
9732-420FA2 /16-413 /15-413	3	3, 4, 5, 6	3.8	0.7-1.5	0.7-2	EX	6,000				Pants, pajamas
9732-422FA2 /16-313 /15-313	3	3, 4, 5, 6	"	"	"	HI	"				Dress shirts, blouses (P.P. fabrics, georgette)
9732-430FA2 /16-433 /15-433	3 5	3, 4, 5 5, 6	"	"	"	EX	"				Pants, pajamas
9732-434FA2 /16-333 /15-333	3 5	3, 4, 5 5, 6	"	"	"	HI	"				Dress shirts, blouses (P.P. fabrics, georgette)

9732-432FA2/16-453
 9732-433FA2/16-353

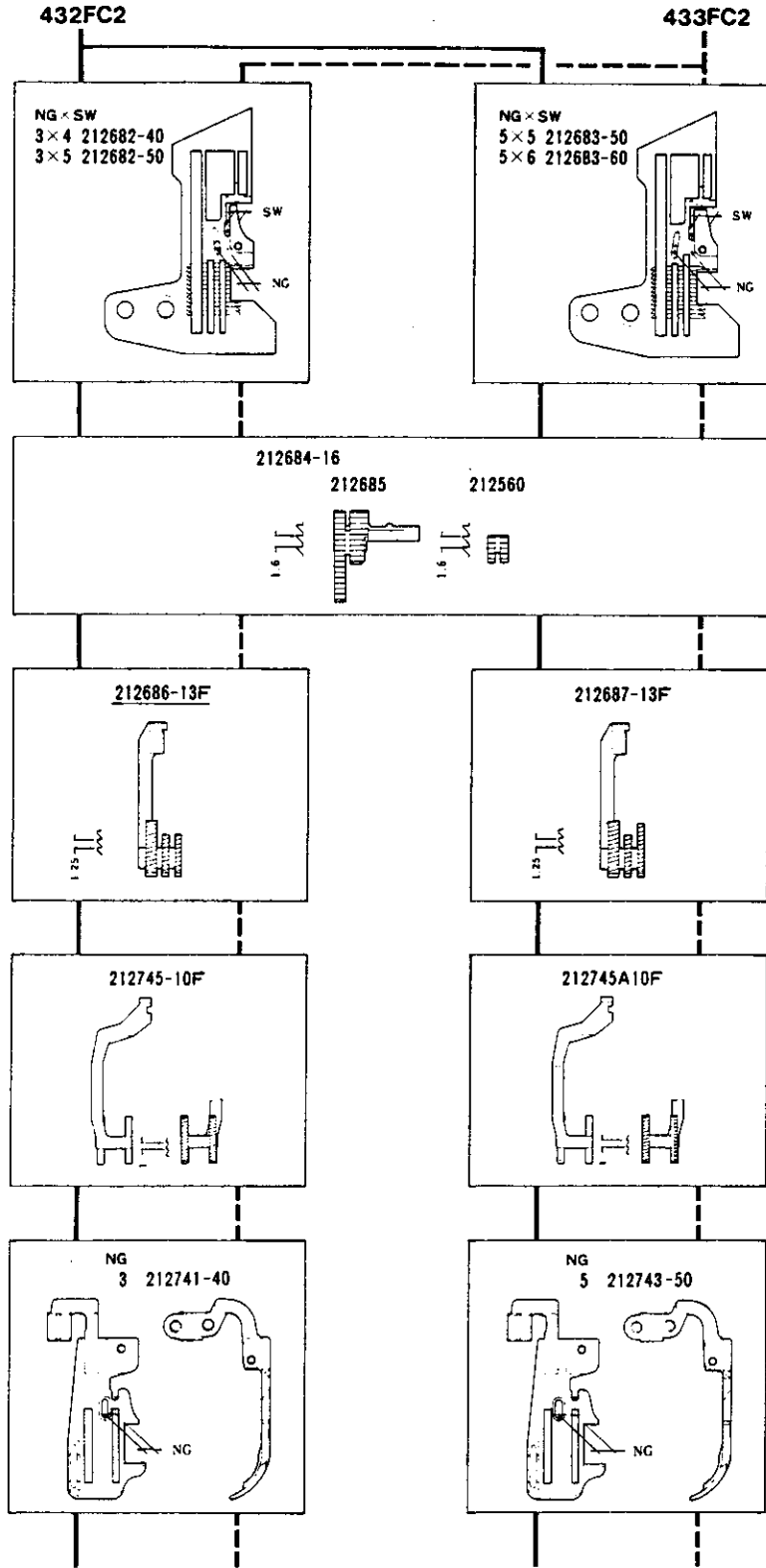


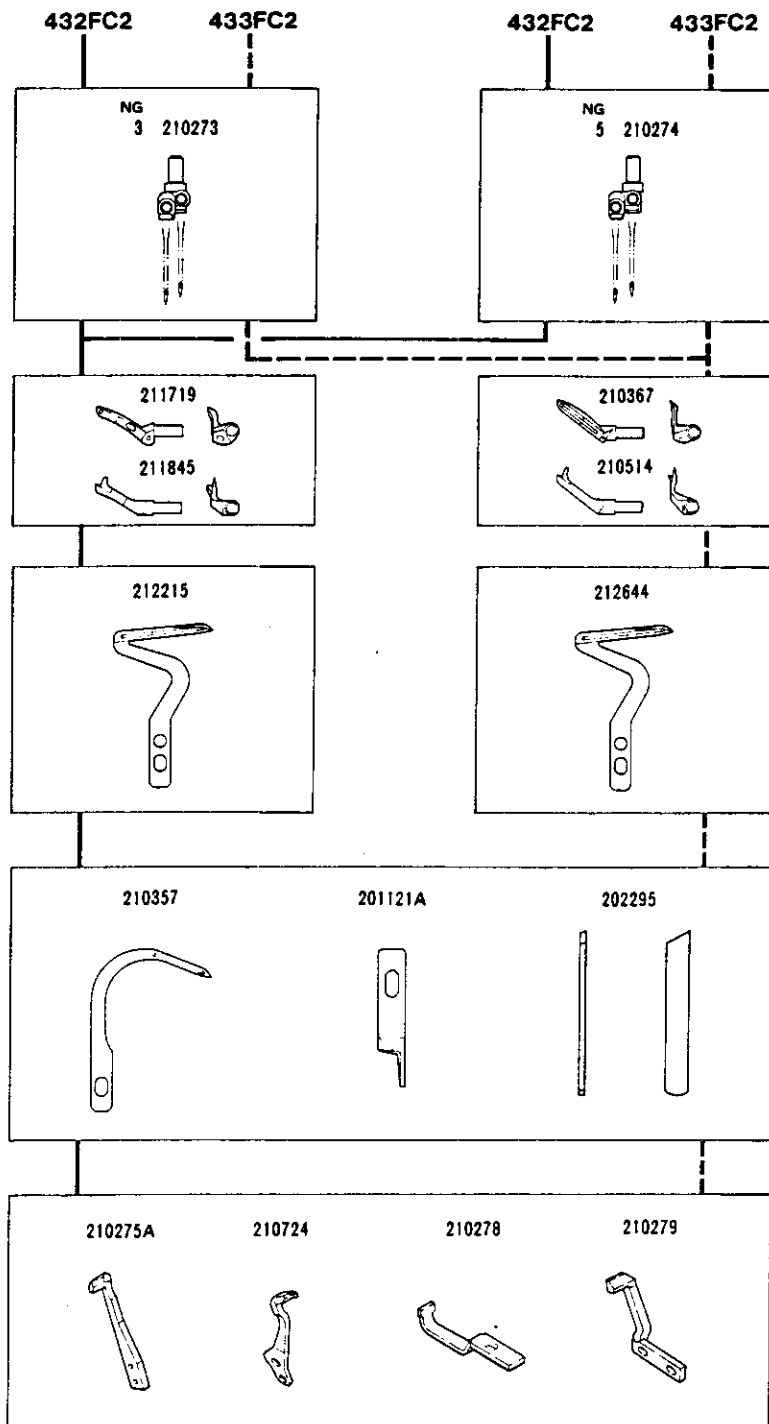


SEAMING





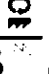




								MEMO	
9732-432FA2 /16-453 /15	3	3, 4, 5	3.8	0.7 ~ 1.5	0.7 ~ 2	EX	6,000		Pants, pajamas
	5	5, 6							
9732-433FA2 /16-353 /15	3	3, 4, 5	"	"	"	HI	"		Dress shirts, blouses (P.P. fabrics, silk)
	5	5, 6							

9732-432FC2/P1(P2)/16-453
 9732-433FC2/P1(P2)/16-333

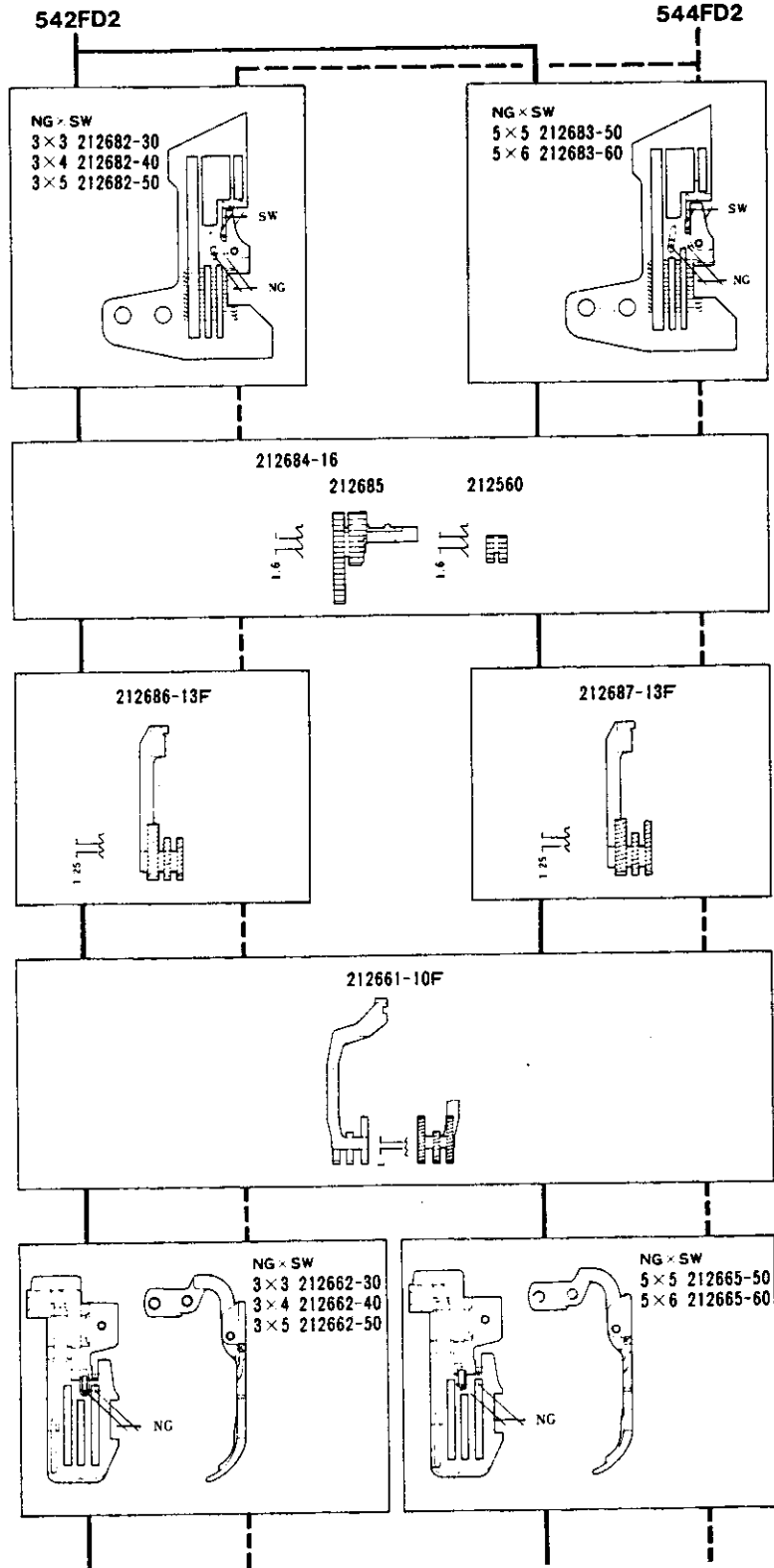


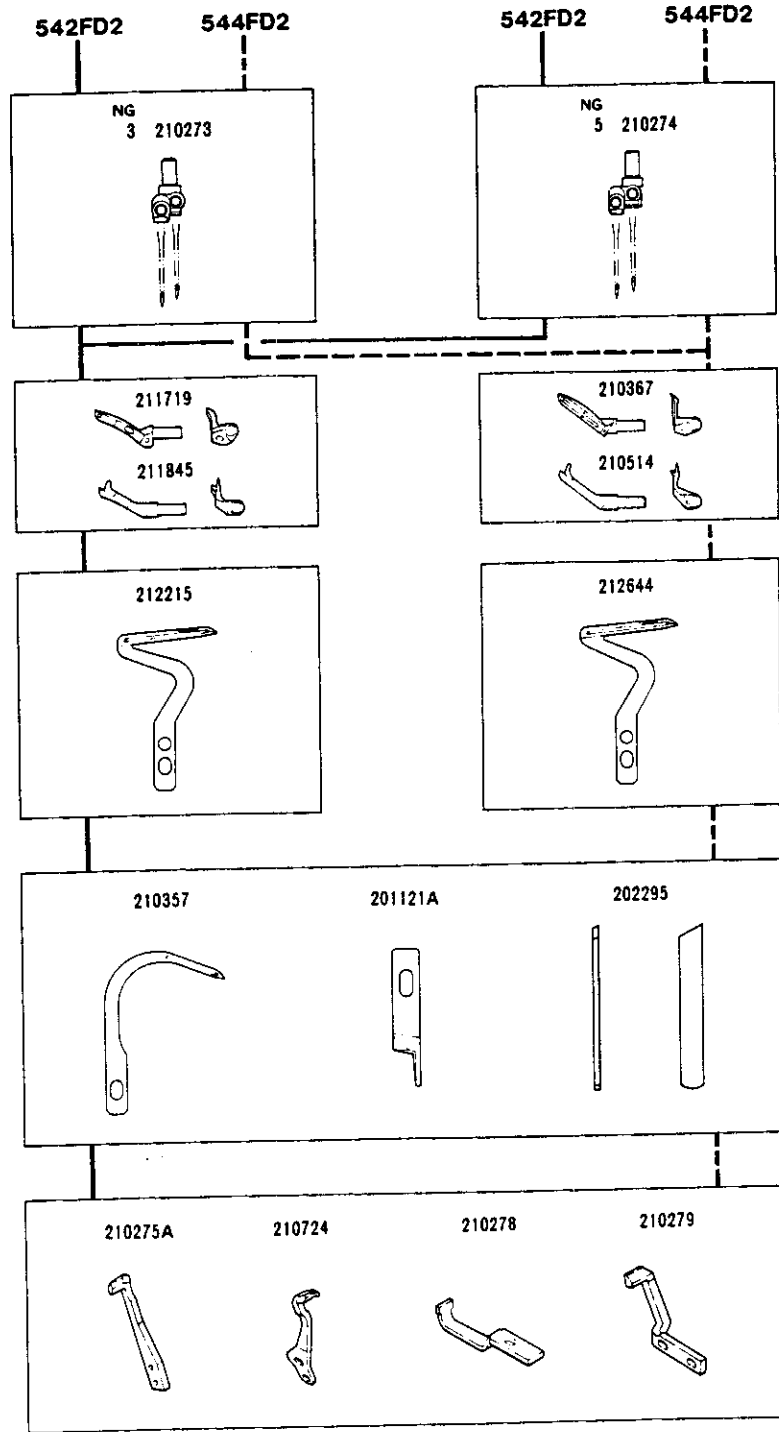


PIPING

								MEMO	
9732-432FC2/P1(P2) /16-453 /15-453	3	4,5	3.8	0.7~1.5	0.7~2	EX	6,000		Sportswear
	5	5,6							
9732-433FC2/P1(P2)/ /16-333 /15-333	3	4,5	"	"	"	HI	"		Lightweight jeans, Sportswear
	5	5,6							

9732-542FD2/16-453
 9732-544FD2/16-353



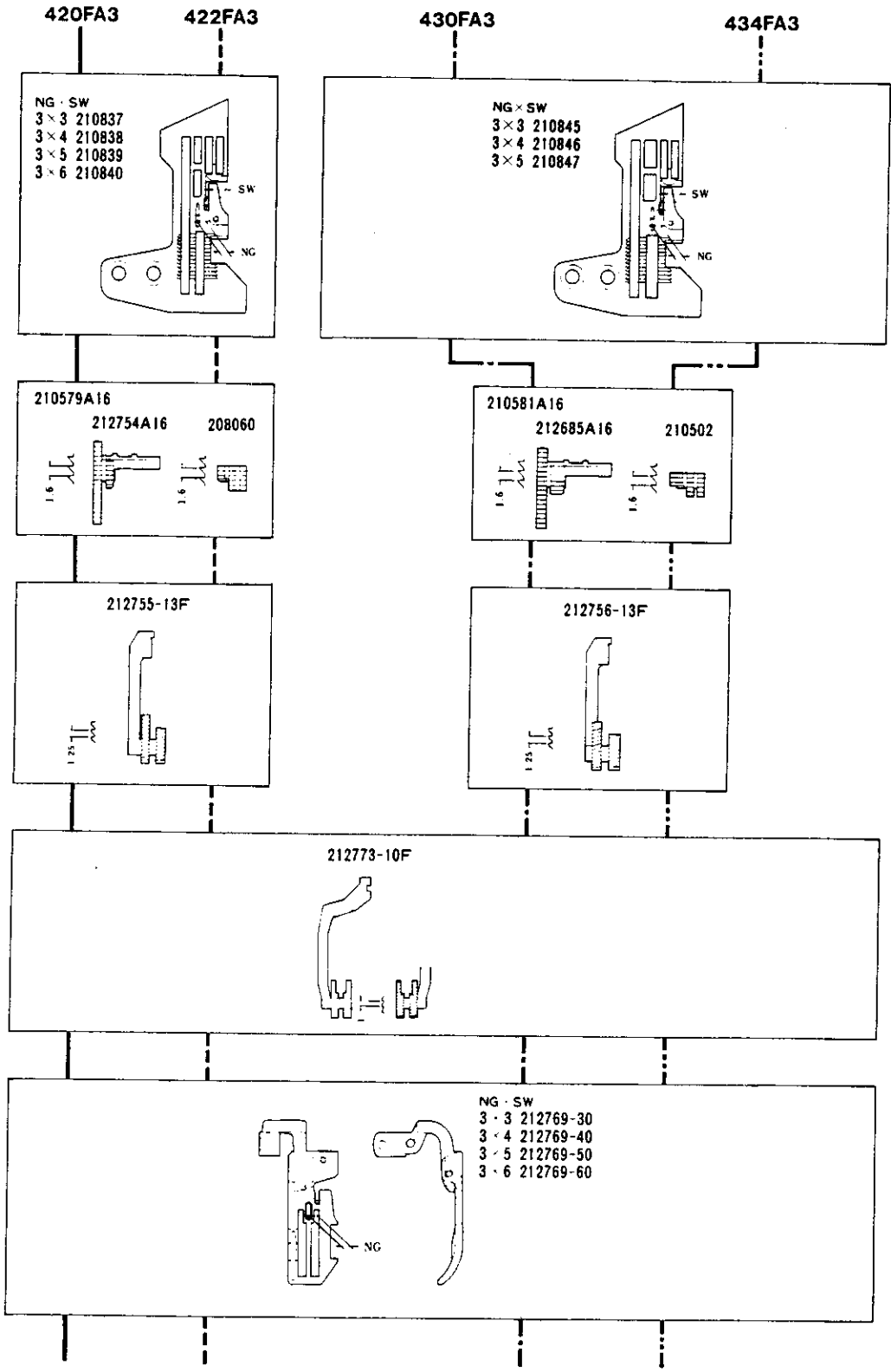


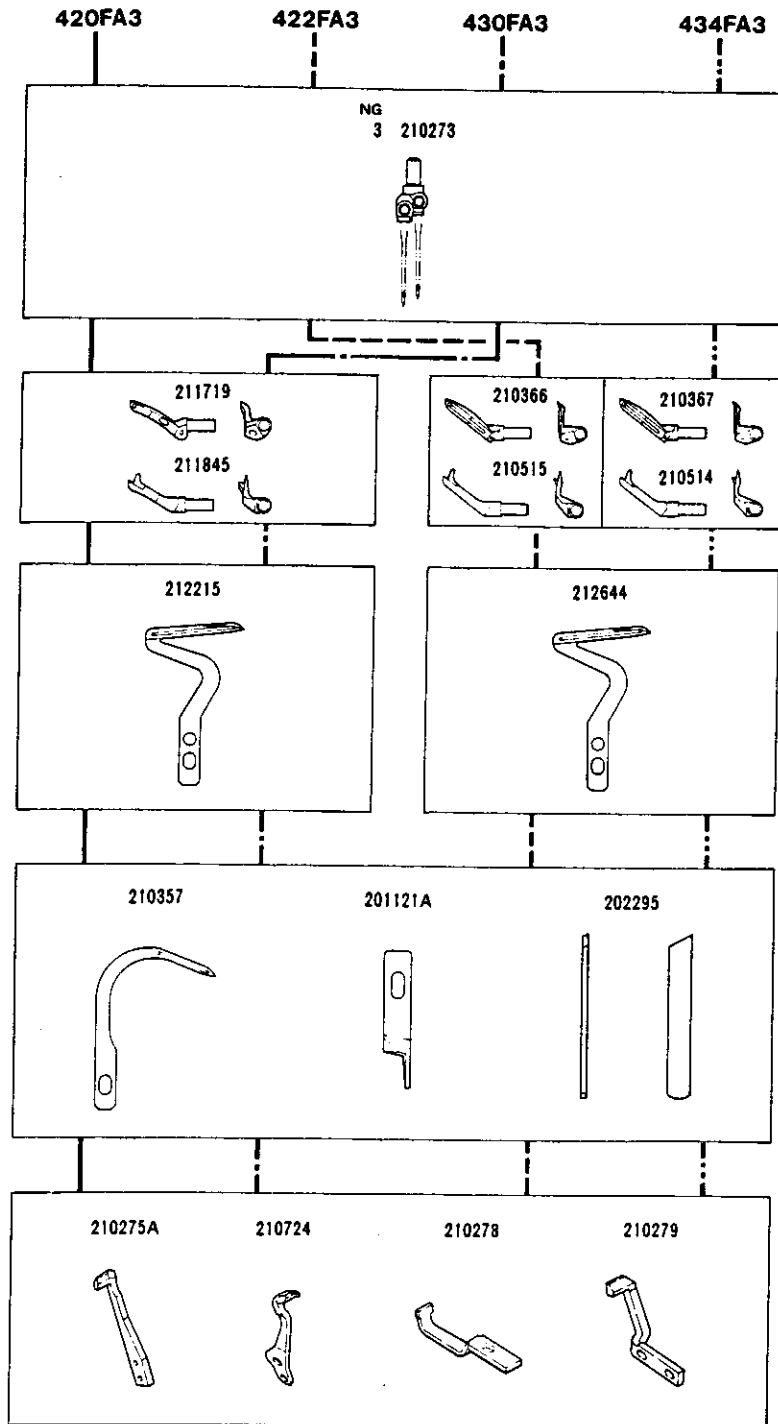
GATHERING

								MEMO	
9732-542FD2	3	3, 4, 5	3.8	0.7~1.9	0.7~2	EX	5, 500		Pillow cases, chair covers
/16-453	5	5, 6							
9732-544FD2	3	3, 4, 5	"	"	"	HI	"		Pillow cases, chair covers
/16-353	5	5, 6							




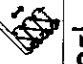
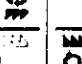
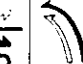

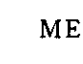

9732-420FA3/16-413
9732-422FA3/16-313

9732-430FA3/16-433
9732-434FA3/16-333





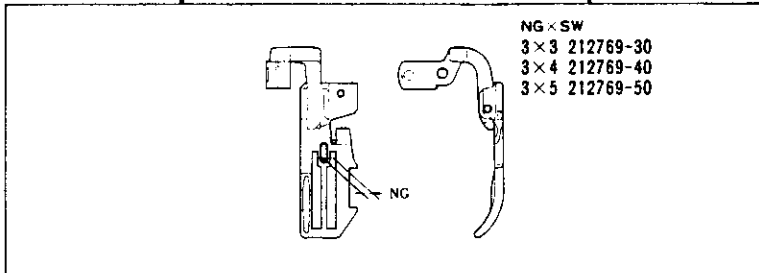
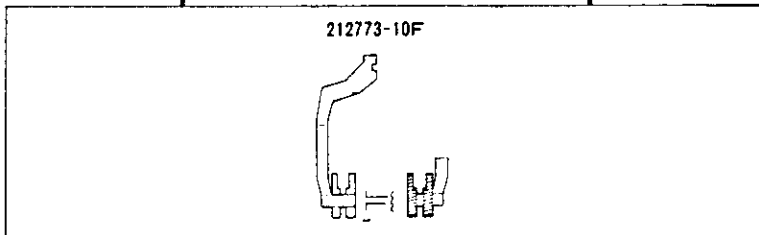
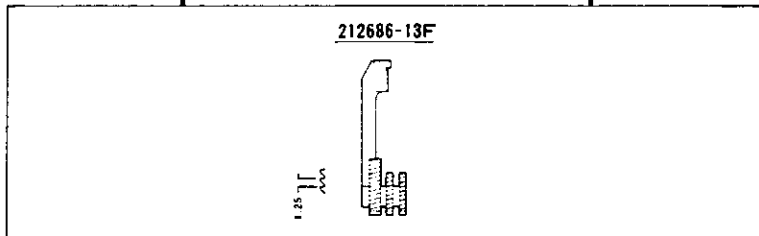
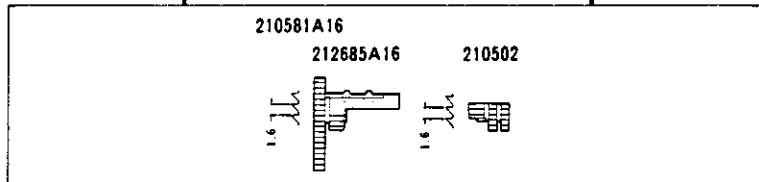
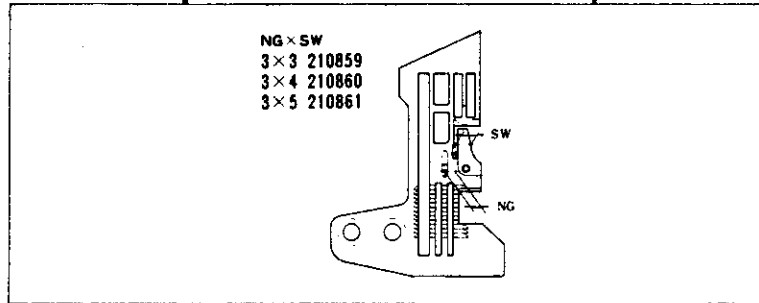
SEAMING

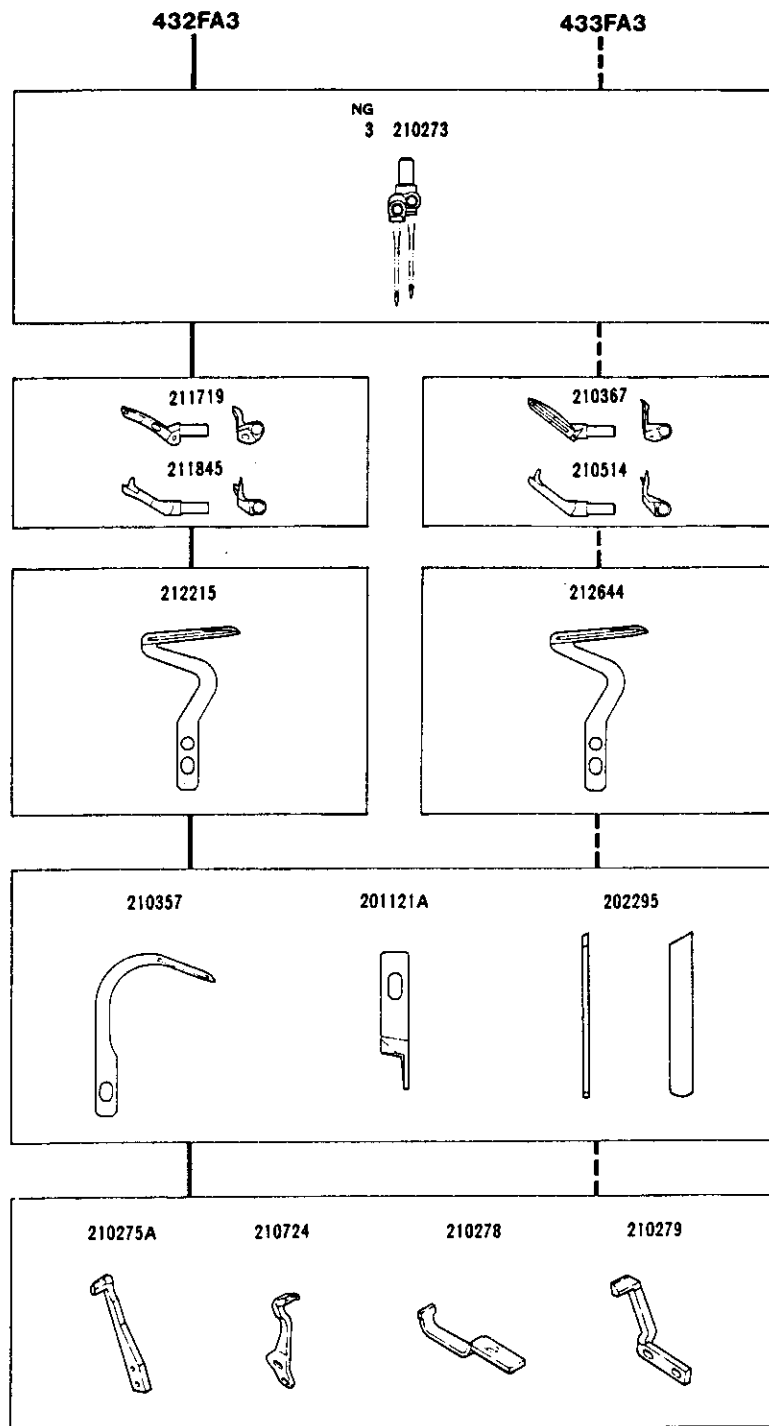
								MEMO	
9732-420FA3 /16-413 /15	3	3, 4, 5, 6	3.8	0.7~1.5	0.7~2	EX	6,000		Pants pajamas
9732-422FA3 /16-313 /15	3	3, 4, 5, 6	"	"	"	HI	"		Dress shirts, blouses (P.P. fabrics, georgette)
9732-430FA3 /16-433 /15	3	3, 4, 5	"	"	"	EX	"		Pants, pajamas
9732-434FA3 /16-333 /15	3	3, 4, 5	"	"	"	HI	"		Dress shirts, blouses (P.P. fabrics, georgette, silk)

9732-432FA3/16-453
 9732-433FA3/16-353








432FA3

433FA3





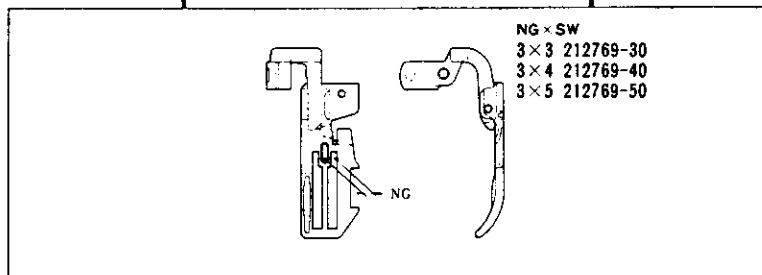
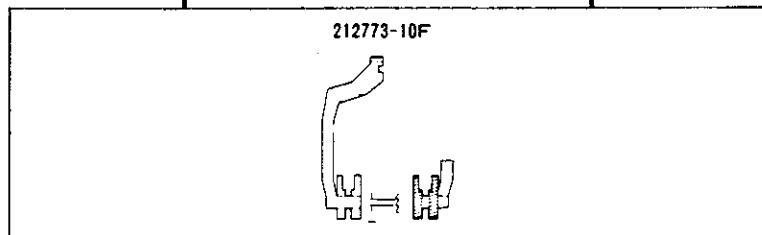
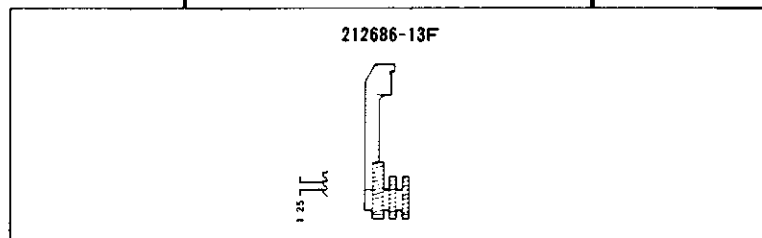
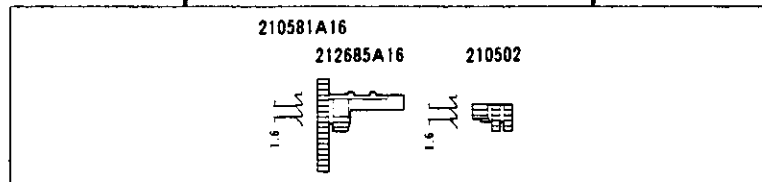
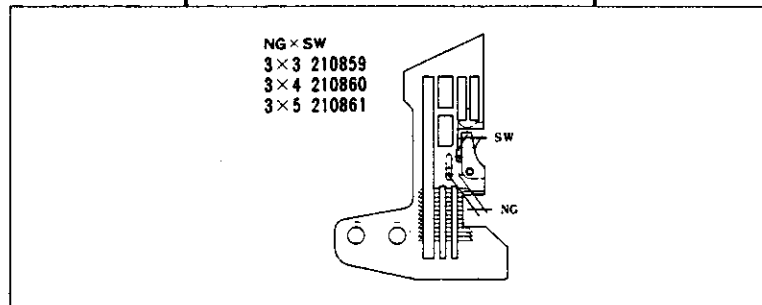
SEAMING

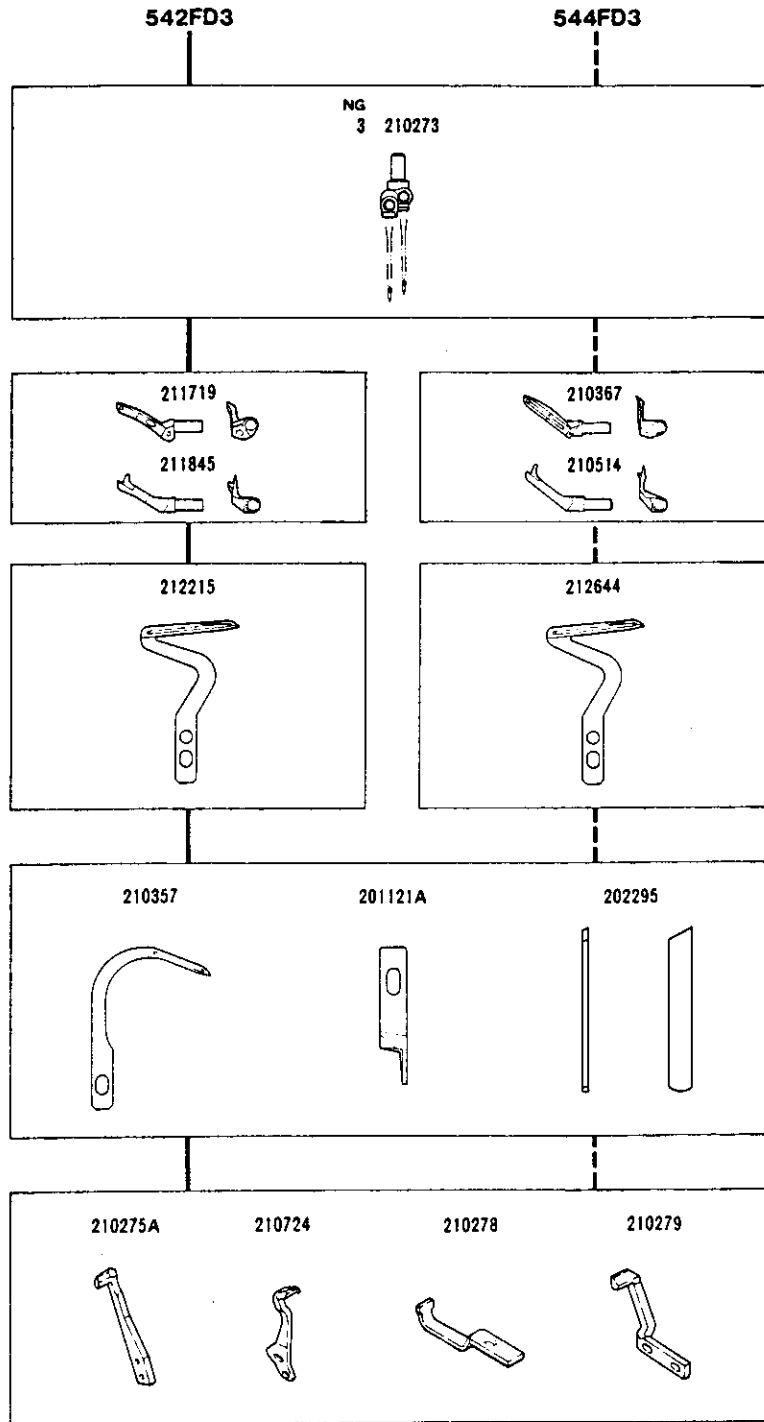
				$\frac{OF}{15}$	$\frac{27}{OO}$			MEMO	
9732-432FA3 /16-453 15	3	3, 4, 5	3.8	0.7~1.5	0.7~2	EX	6,000		Pants, pajamas
9732-433FA3 /16-353 15	3	3, 4, 5	"	"	"	HI	"		Dress shirts, blouses (P.P. fabrics, georgette, silk)

9732-542FD3/16-453
 9732-544FD3/16-353










542FD3

544FD3

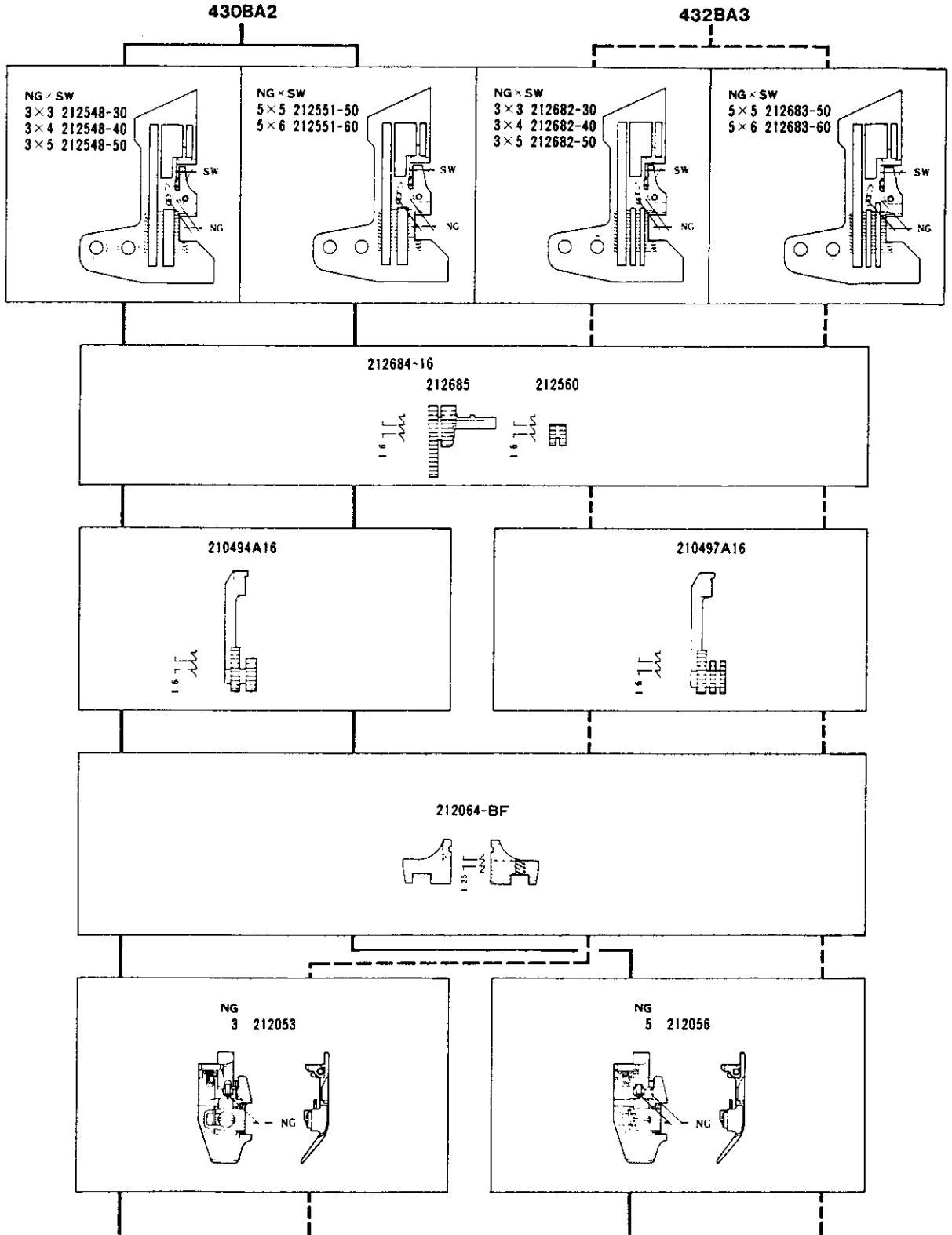


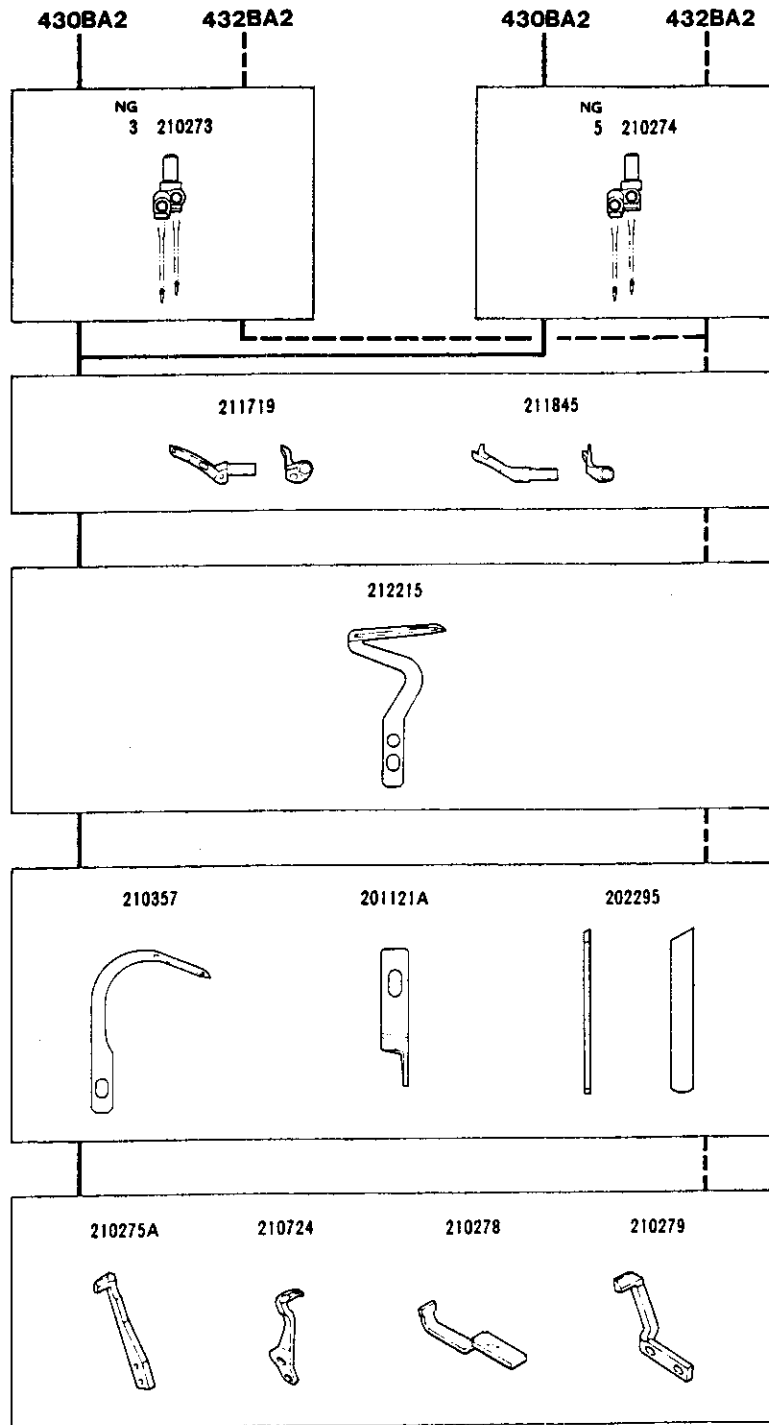


GATHERING






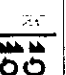



								MEMO	
9732-542FD3 /16-453 /15-453	3	3, 4, 5	3.8	0.7~1.9	0.7~2	EX	5, 500		Pillow cases, chair covers
9732-544FD3 /16-353 /15-353	3	3, 4, 5	"	"	"	HI	"		Blouses (georgette, silk)

9732-430BA2/16-433
 9732-432BA2/16-453

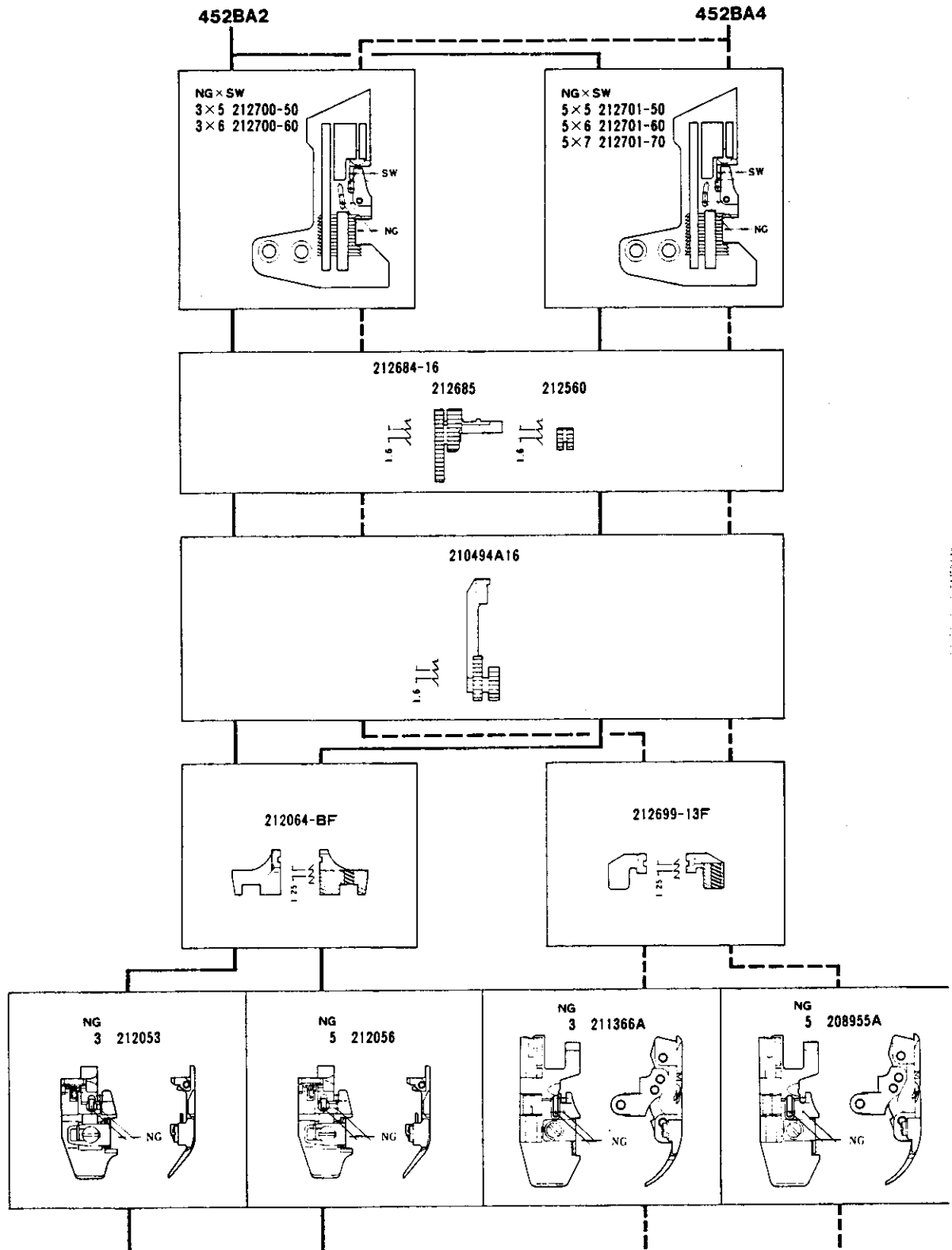


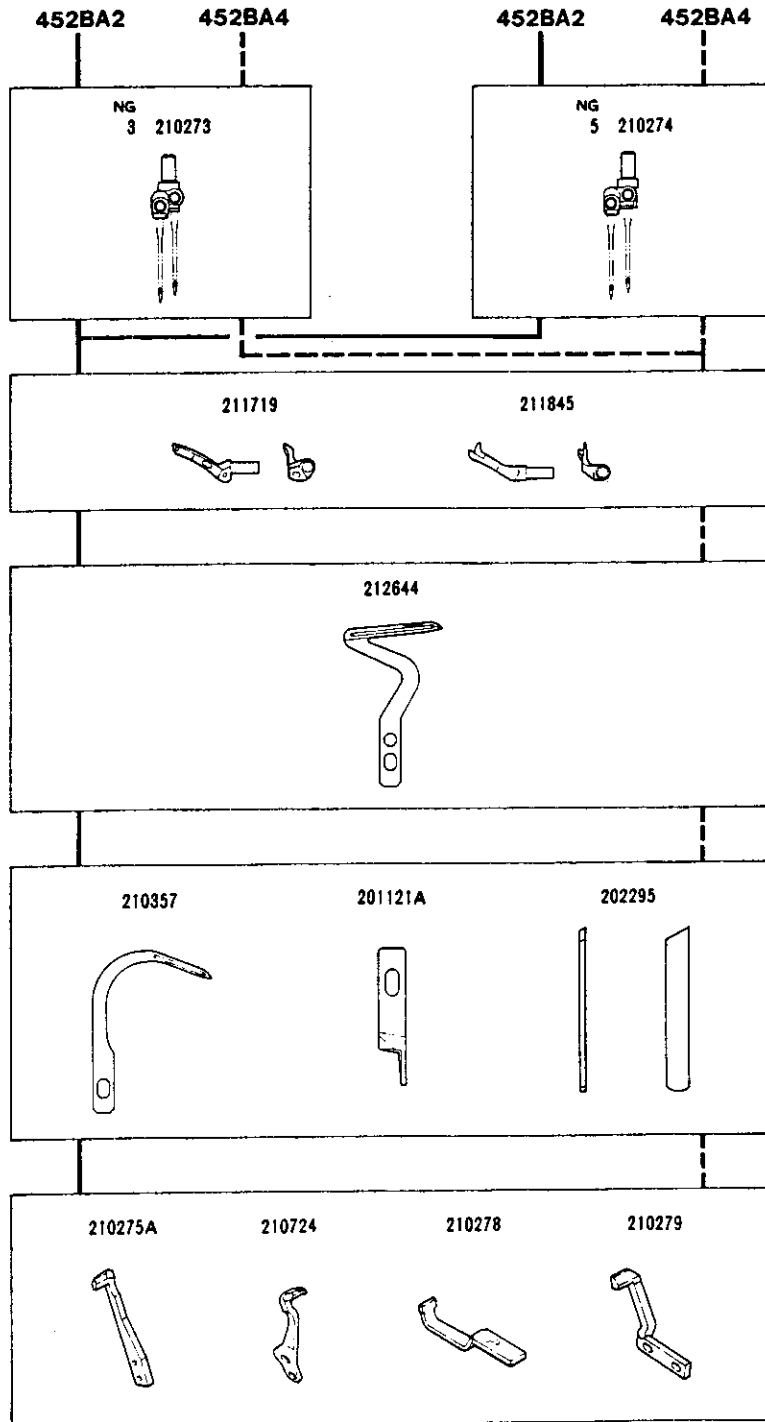


SEAMING






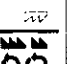



								MEMO	
9732-430BA2 /16-433 /15-433	3	3, 4, 5	3.8	0.7~1.5	0.7~2	EX	6,000		Working wear, fashion pants
	5	5, 6							
9732-432BA2 /16-453 /15-453	3	3, 4, 5	"	"	"	HI	"		Working wsar, fashion pants
	5	5, 6							

9732-452BA2/16-433
 9732-452BA4/16-433

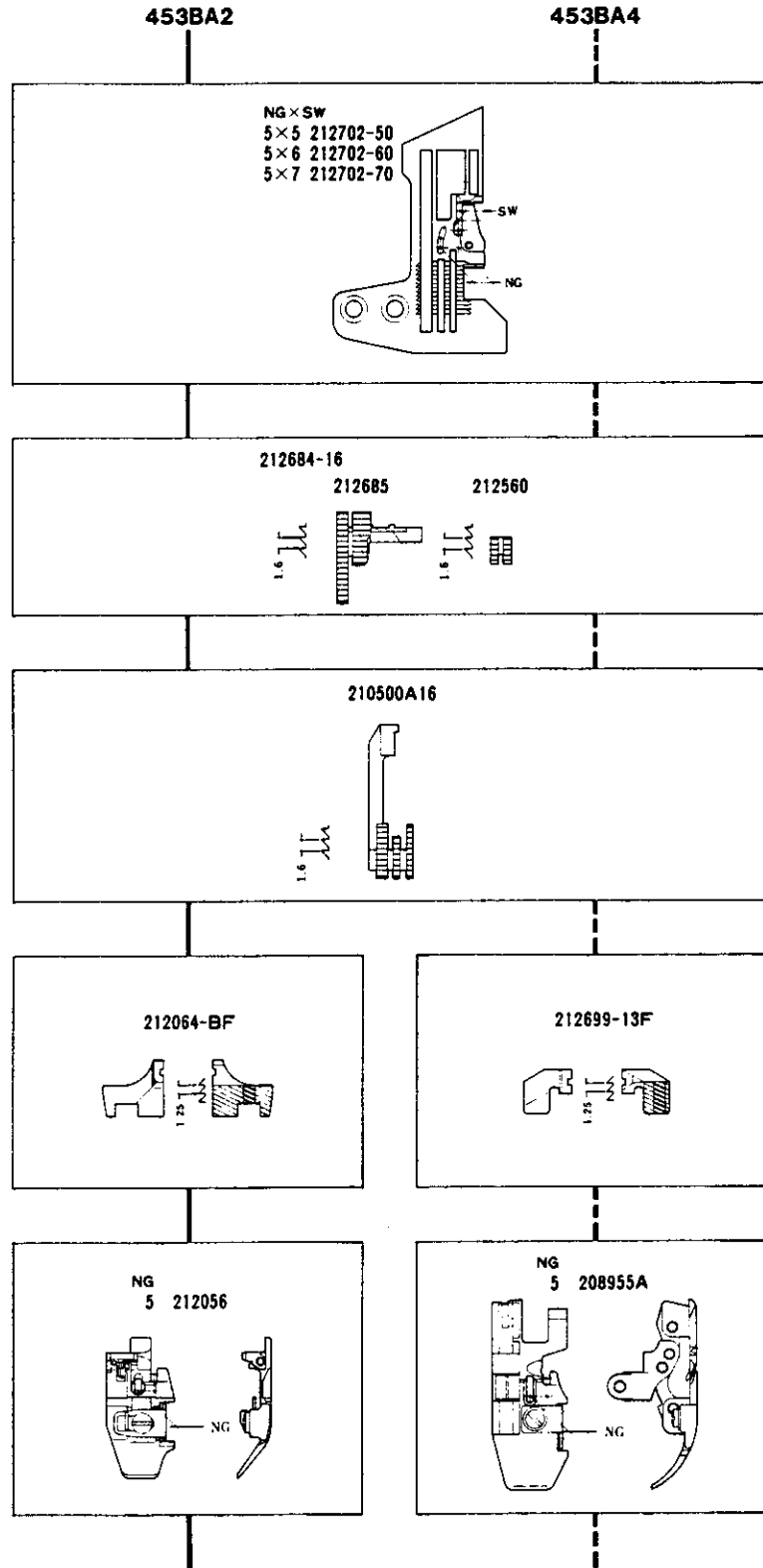


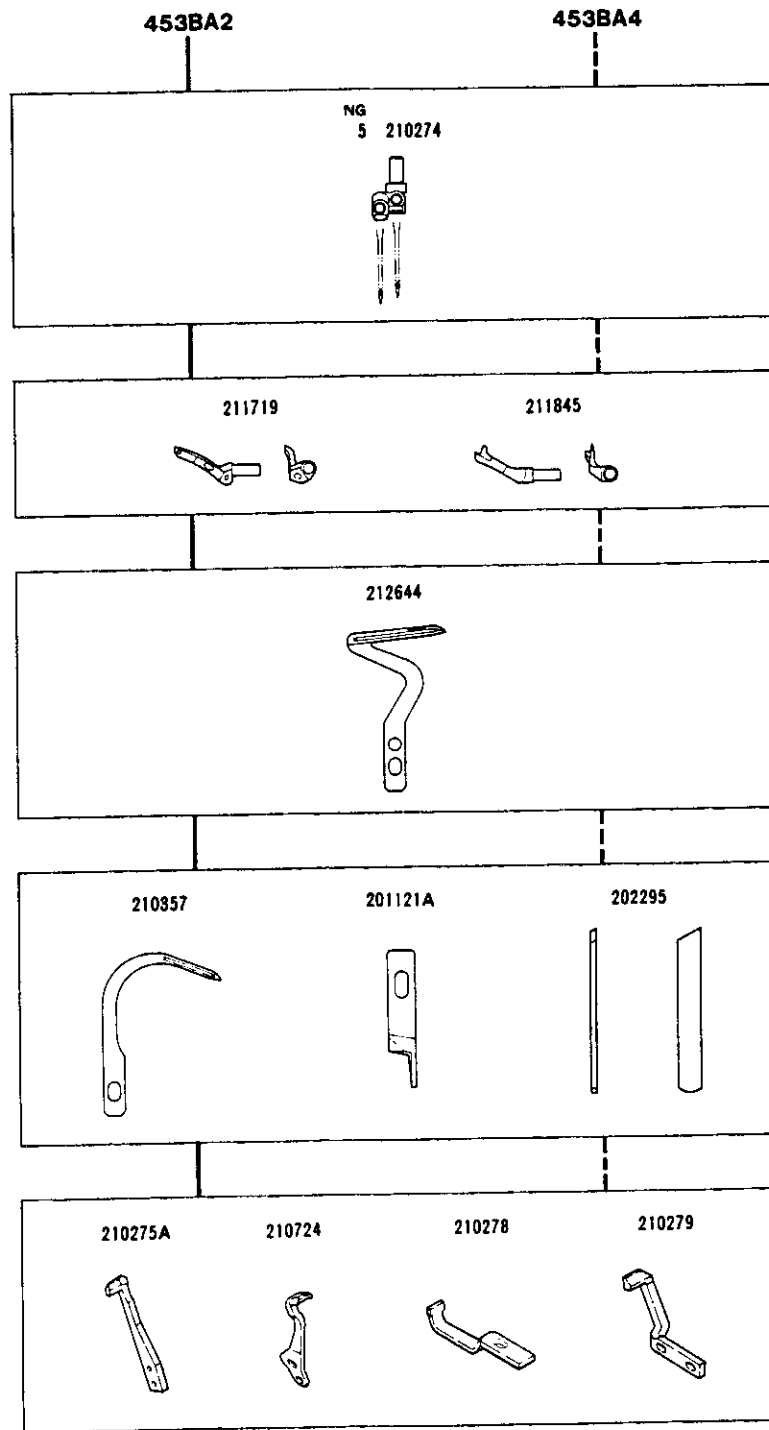


SEAMING

								MEMO	
9732-452BA2 /16-433 15	3	5, 6	3.8	0.7~1.5	0.7~2	EX	5, 500		Working wear, jeans
	5	5, 6, 7							
9732-452BA4 /16-433 15	3	5, 6	"	"	"	"	"		Working wear, jeans (Tractor foot)
	5	5, 6, 7							

9732-453BA2/16-453
 9732-453BA4/16-453

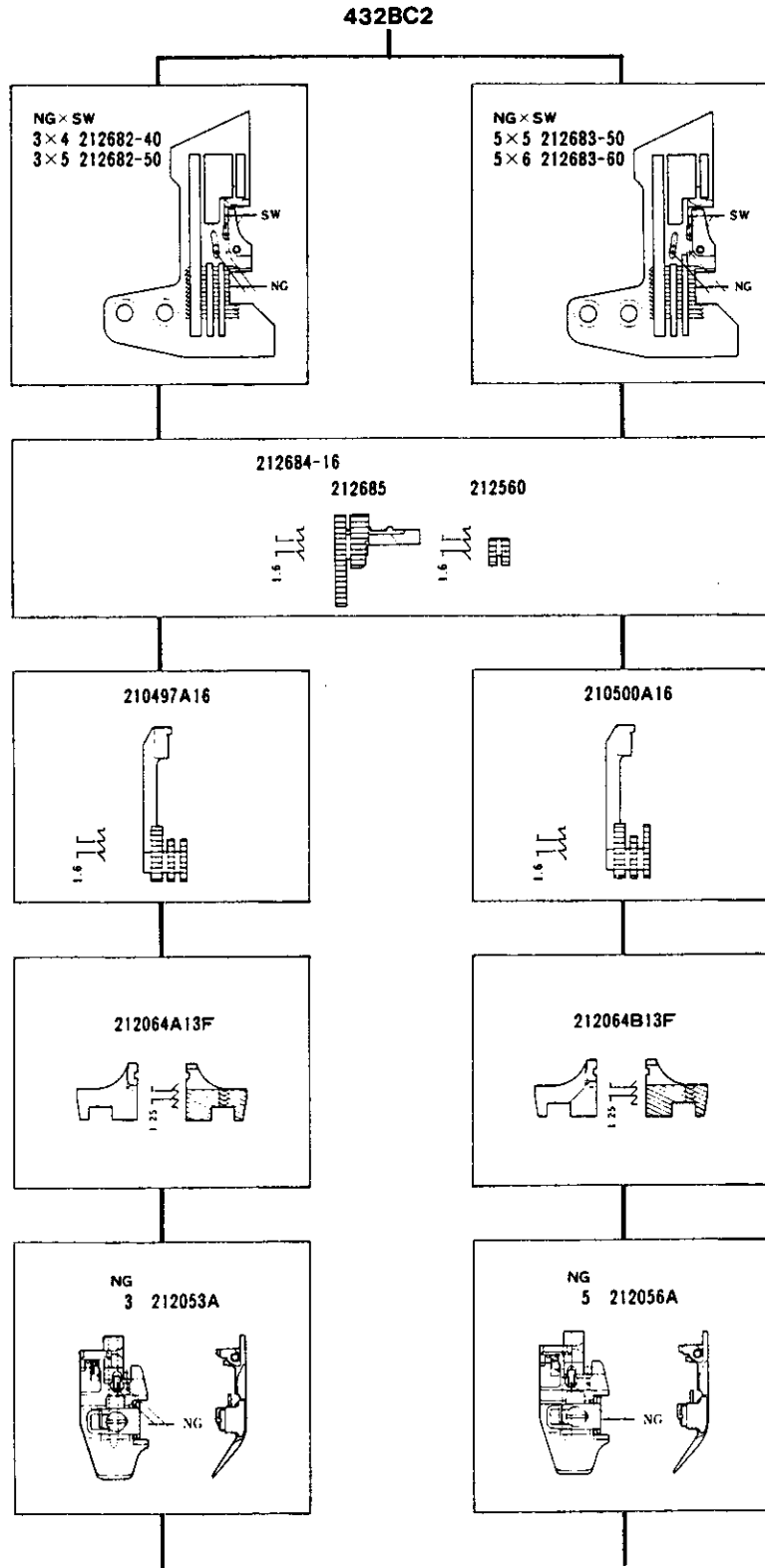


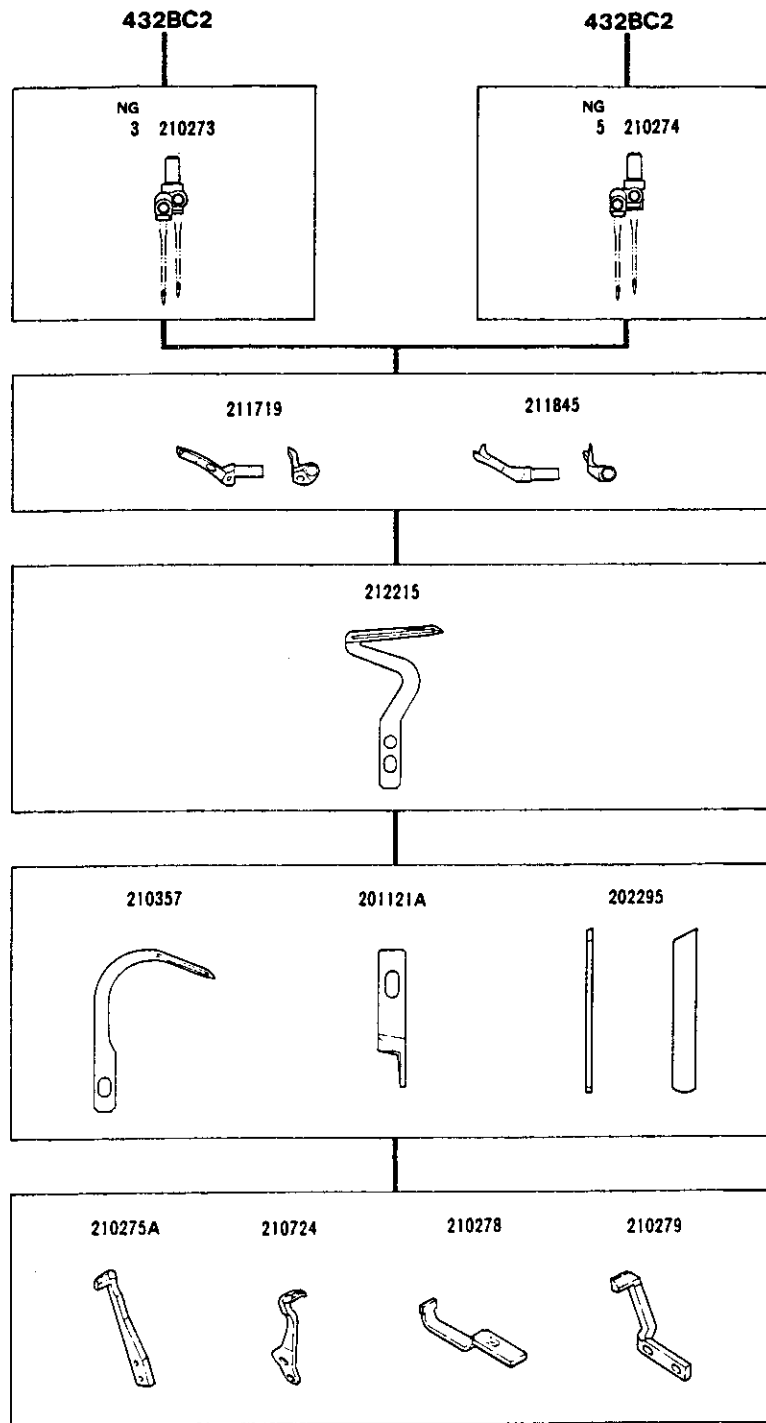


SEAMING










								MEMO	
9732-453BA2 /16-453 /15	5	5, 6, 7	3.8	0.7-1.5	0.7-2	EX	5, 500		Working wear, jeans
9732-453BA4 /16-453 /15	5	5, 6, 7	"	"	"	"	"		Working wear, jeans (Tractor foot)

9732-432BC2/P1(P2)/16-453

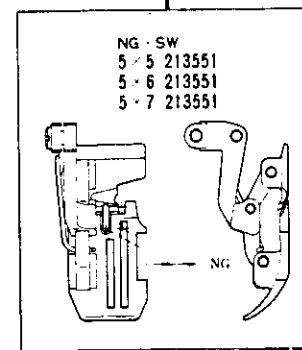
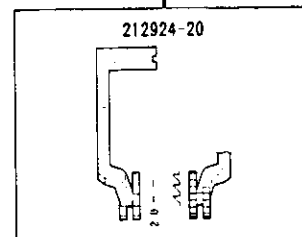
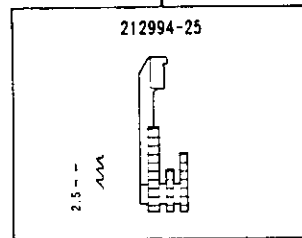
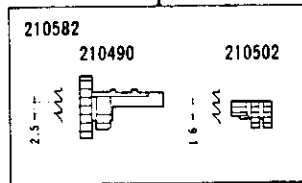
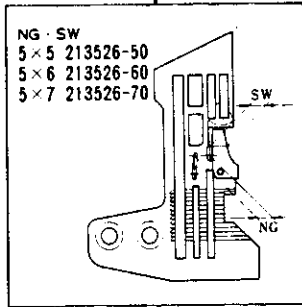




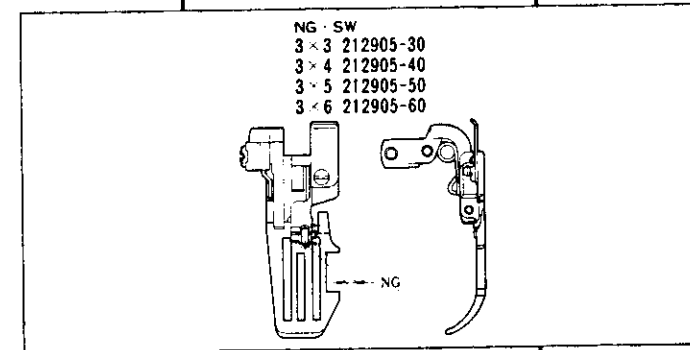
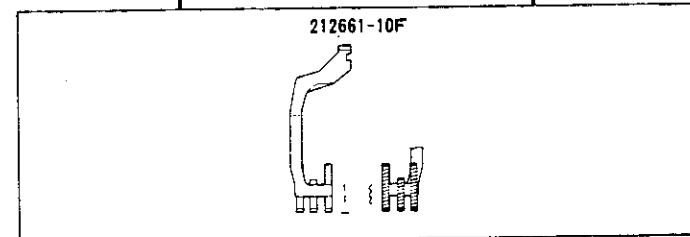
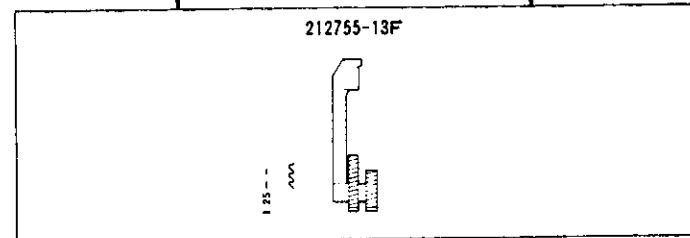
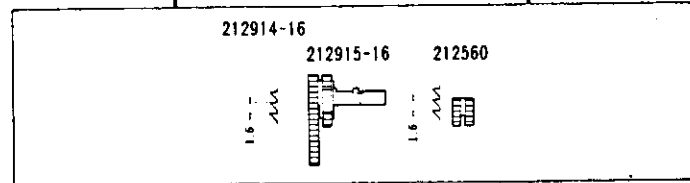
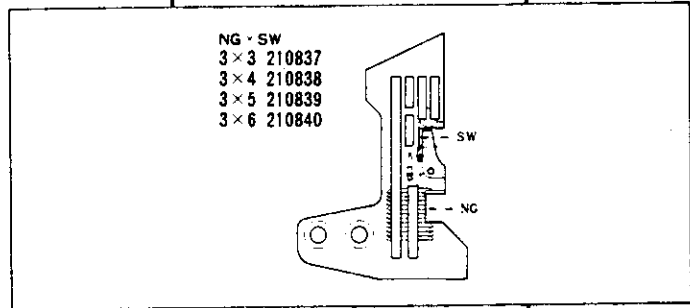
PIPING

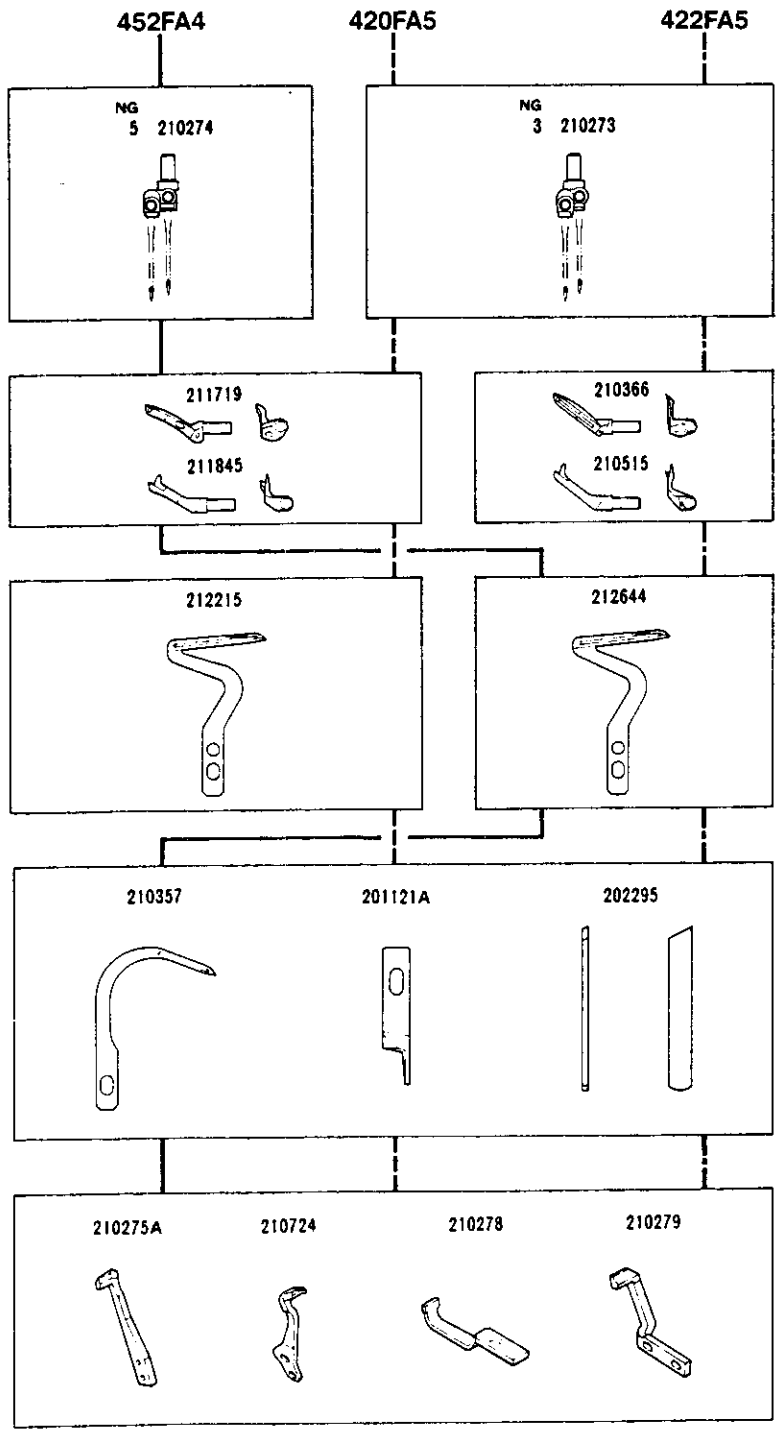
								MEMO	
9732-432BC2/P1(P2) /16-453 15-453	3	4, 5	3.8	0.7 ~ 1.5	0.7 ~ 2	EX	6,000		Sportswear Jeans
	5	5, 6							

452FA4






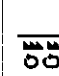





420FA5

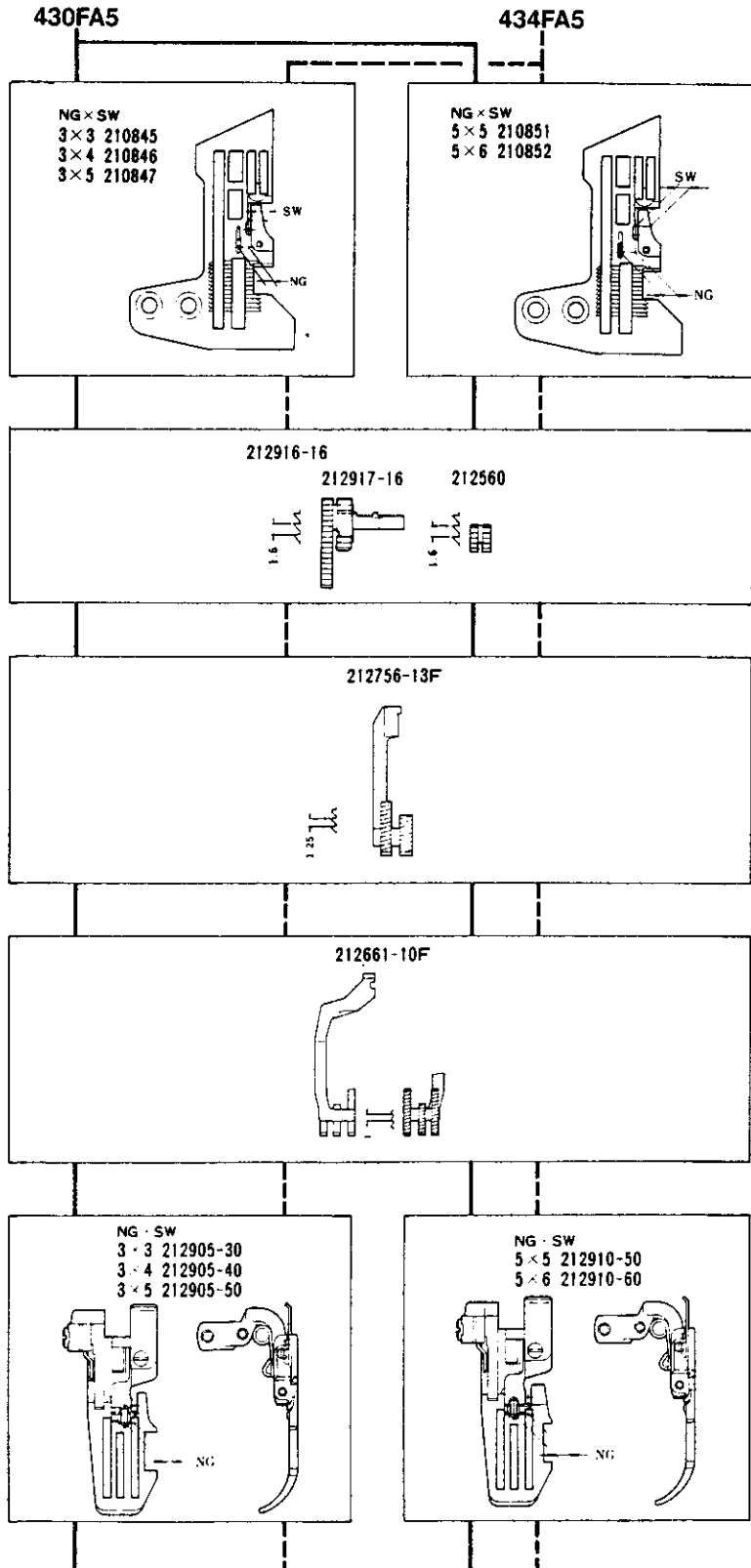


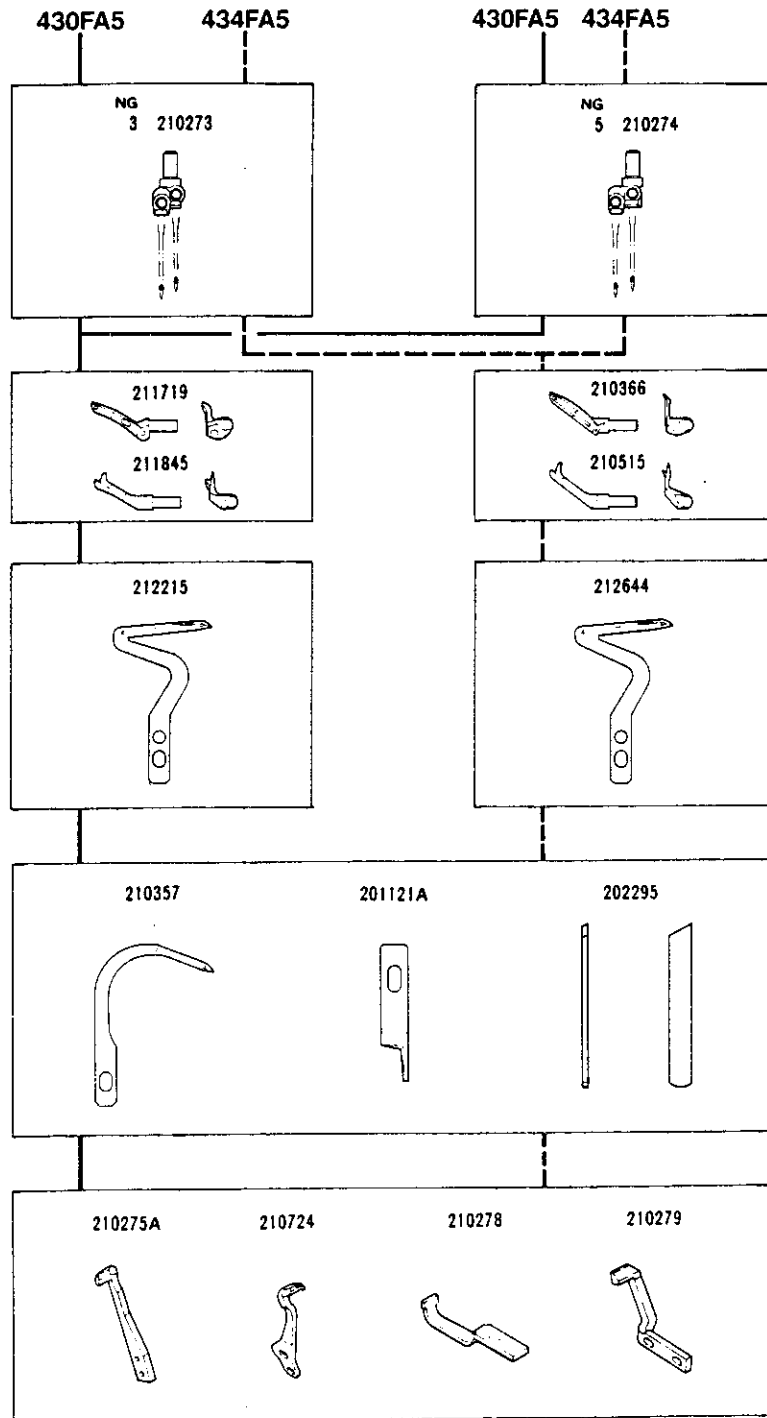


SEAMING





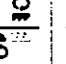
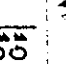

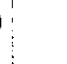

	 mm	 mm	 mm	 mm	 mm		 s.p.m.	MEMO	
9732-452FA4 /16-455 15	5	5, 6, 7	3.8	0.7~1.5	0.7~2	EX	5,500		Jeans
9732-420FA5 /16-413 15	3	3, 4, 5, 6	“	“	“	EX	6,000		Pants, pajamas
9732-422FA5 /16-313 15	3	3, 4, 5, 6	“	“	“	HI	“		Dress shirts, casual wear

9732-430FA5/16-433
 9732-434FA5/16-333

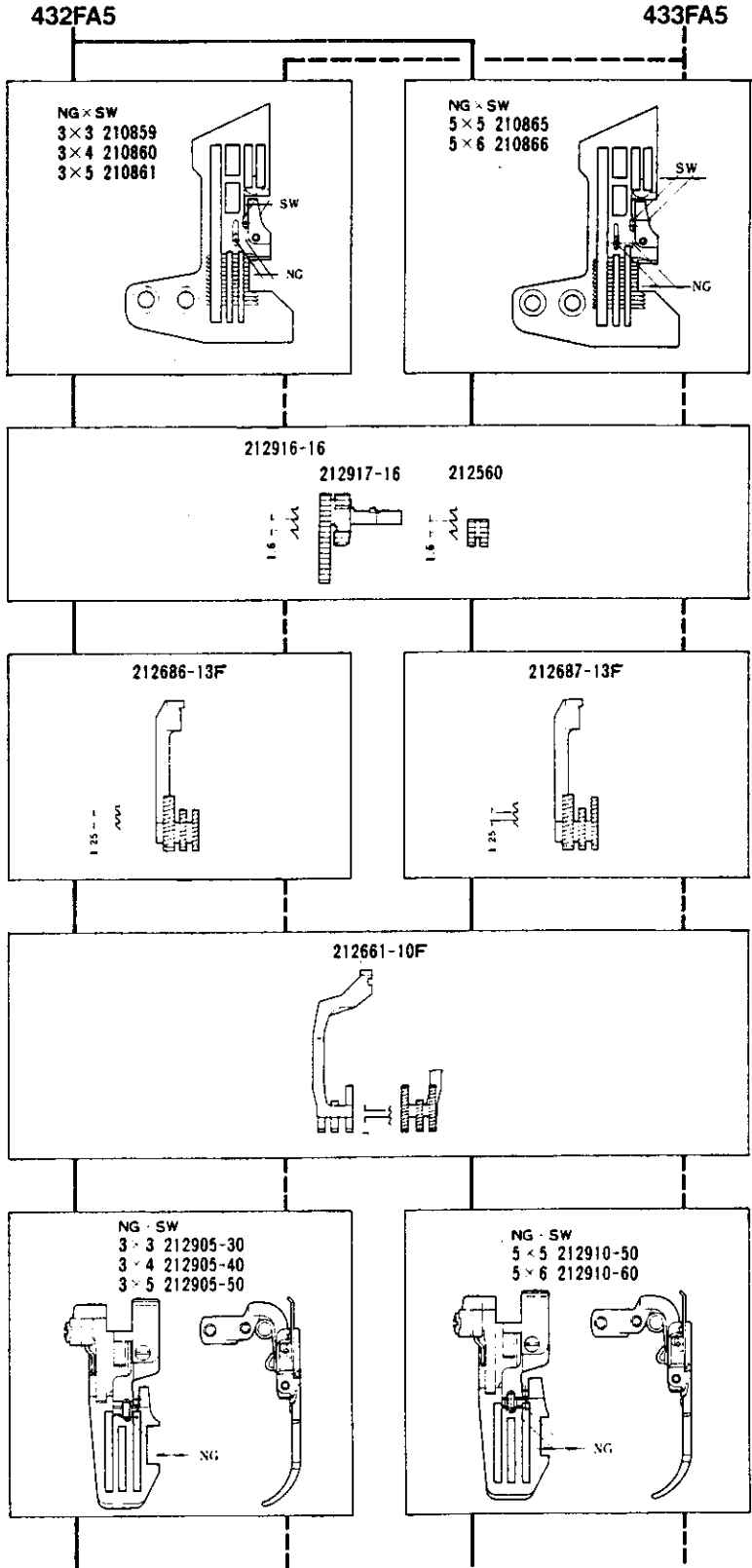


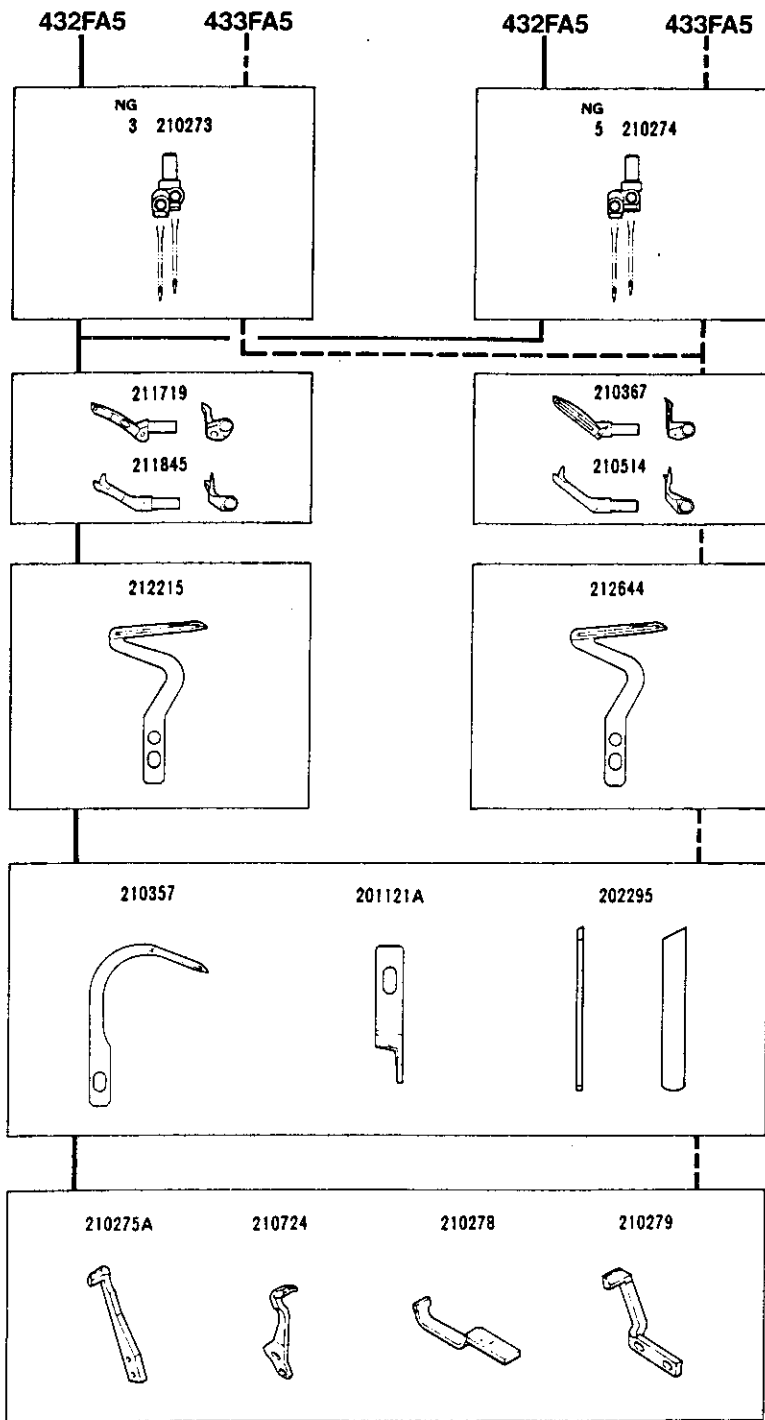


SEAMING





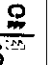
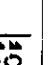
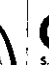


	 mm	 mm	 mm	 mm	 mm	 mm	 s.p.m	MEMO	
9732-430FA5 /16-433 /15-433	3	3,4,5	3.8	0.7~1.5	0.7~2	EX	6,000		Lightweight jeans. Working wear, fashion pants
	5	5,6							
9732-434FA5 /16-333 /15-333	3	3,4,5	"	"	"	HI	"		Dress shirts, blouses (PP fabrics, georgette, silk)
	5	5,6							

9732-432FA5/16-453
 9732-433FA5/16-353





SEAMING

	 mm	 mm	 mm	 mm	 mm		 s.p.m.	MEMO	
9732-432FA5 /16-453 15-453	3	3,4,5	3.8	0.7~1.5	0.7~2	EX	6,000		Pants, pajamas
	5	5,6							
9732-433FA5 /16-353 15-353	3	3,4,5	"	"	"	HI	"		Dress shirts, blouses (P.P. fabrics, georgette, silk)
	5	5,6							

9732-355FA5/53
9732-359FA5/53

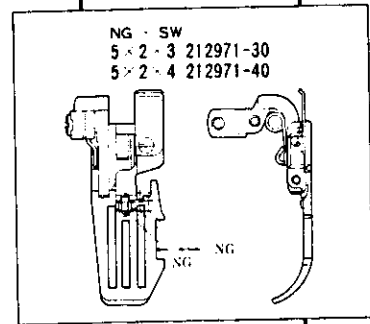
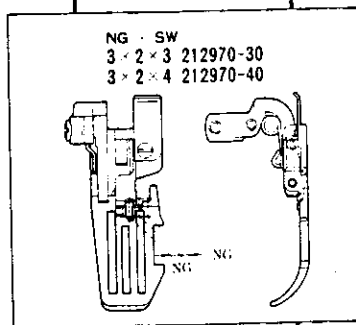
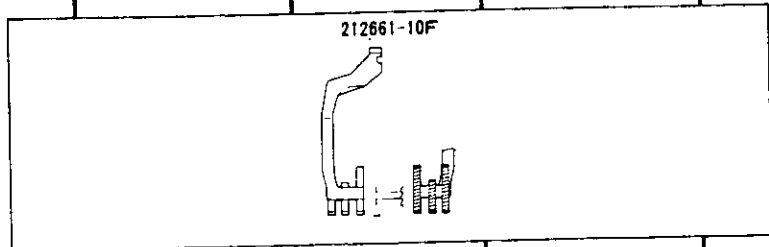
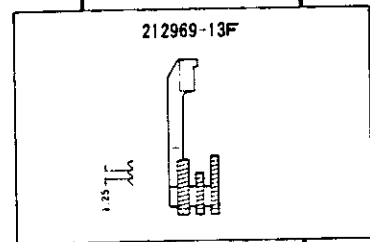
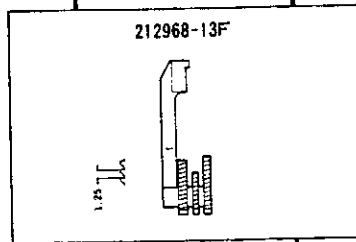
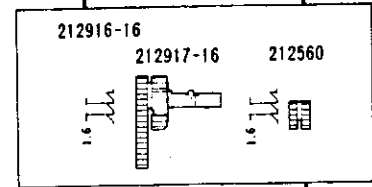
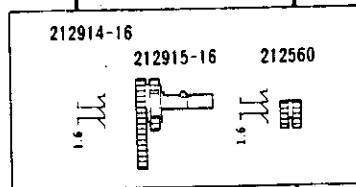
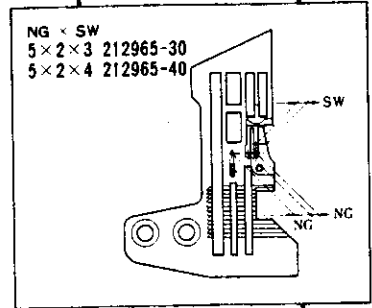
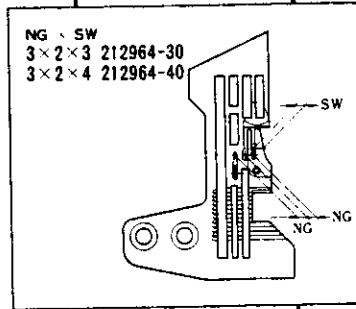
9732-555FA5/53
9732-559FA5/53

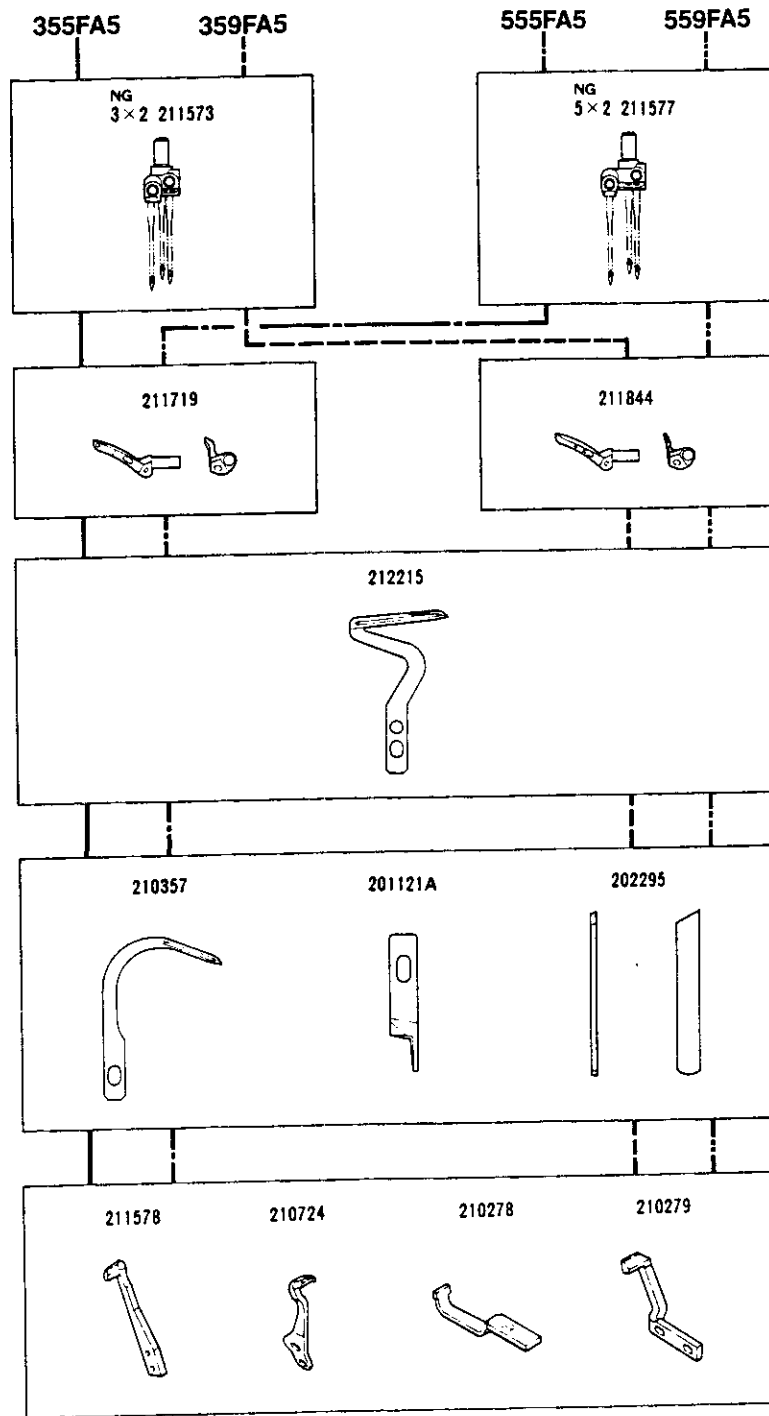
355FA5

359FA5





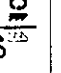
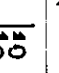



555FA5

559FA5



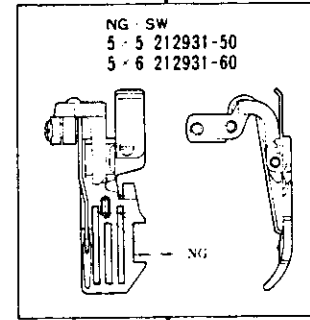
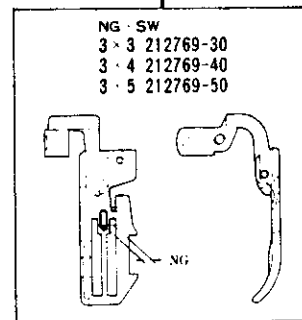
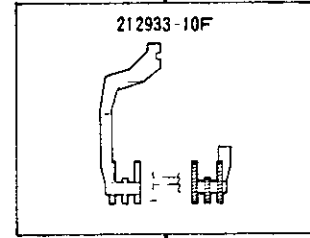
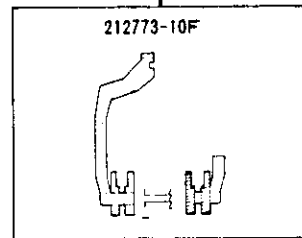
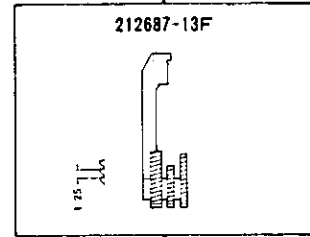
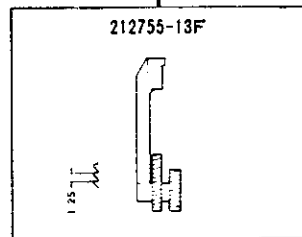
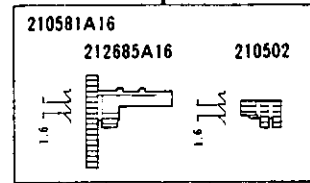
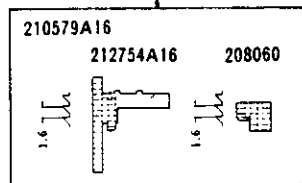
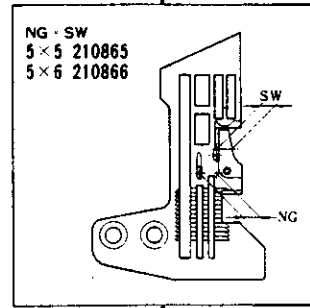
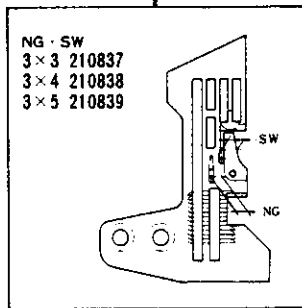


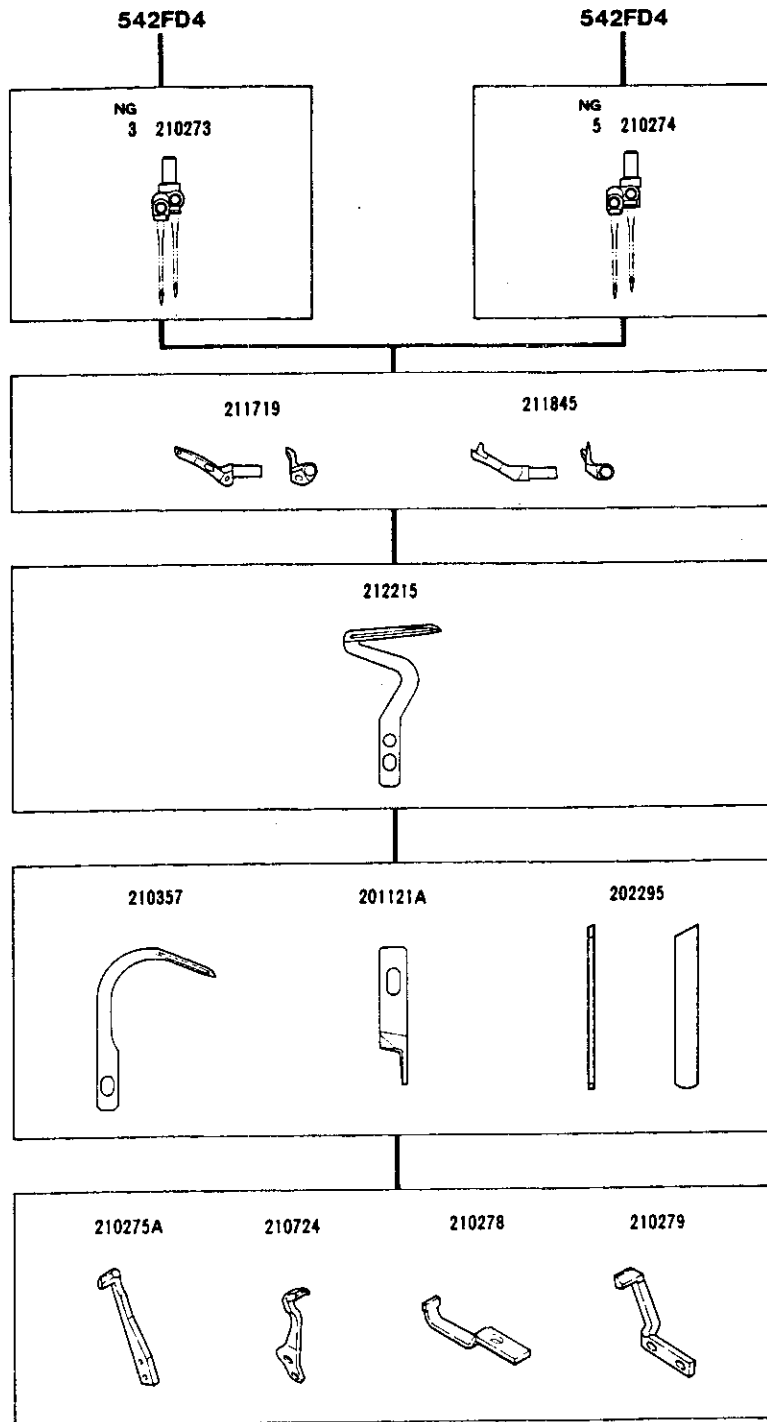
SEAMING

	 mm	 mm	 mm				 s.p.m.	MEMO	
9732-355FA5 /53	3	2	3,4	3,8	0.7~1.5	0.7~2	EX	6,000	Sweater
9732-359FA5 /53	3	2	3,4	"	"	"	"	"	Sweater
9732-555FA5 /53	5	2	3,4	"	"	"	"	"	Jeans
9732-559FA5 /53	5	2	3,4	"	"	"	"	"	Jeans

9732-542FD4/P1(P2)/16-453

542FD4

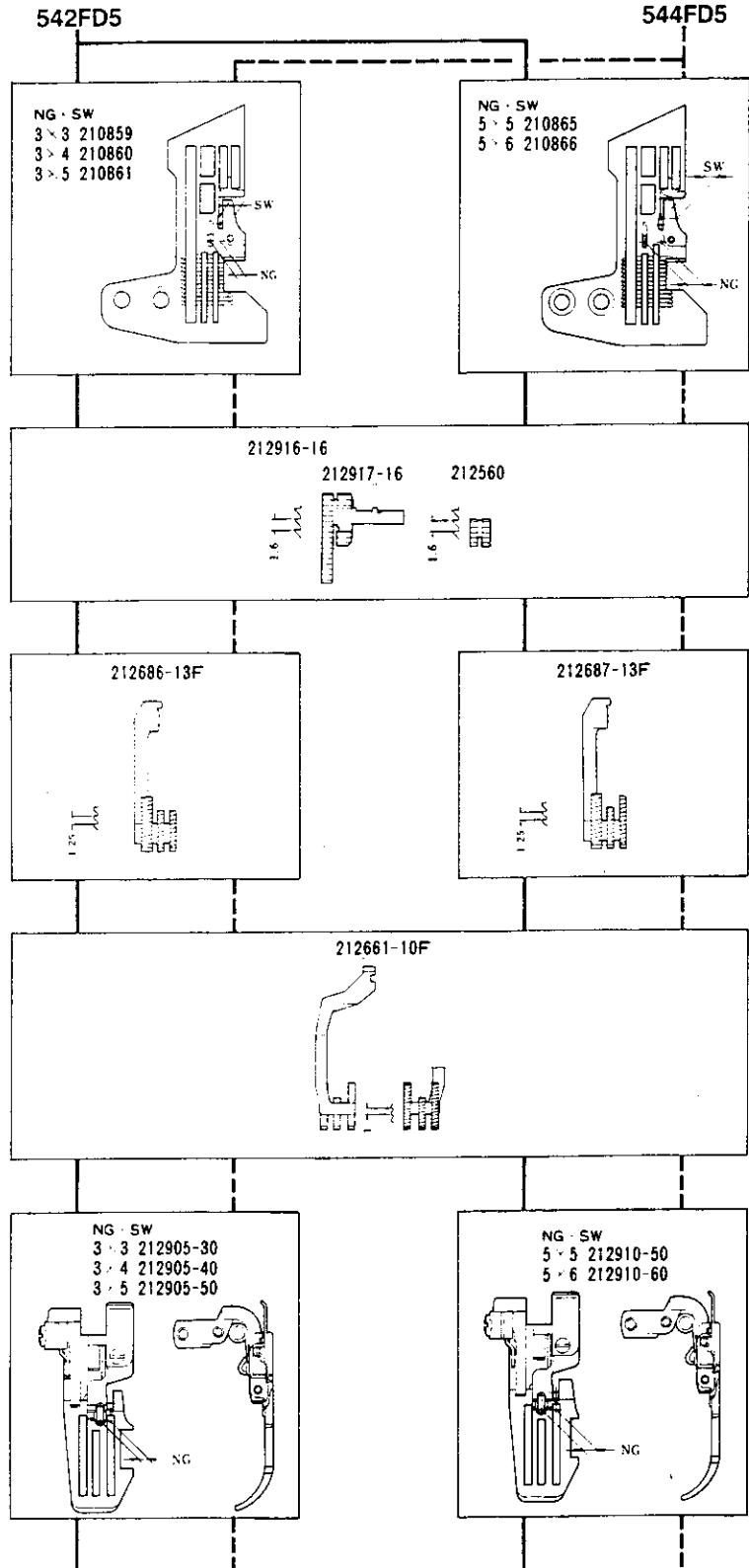


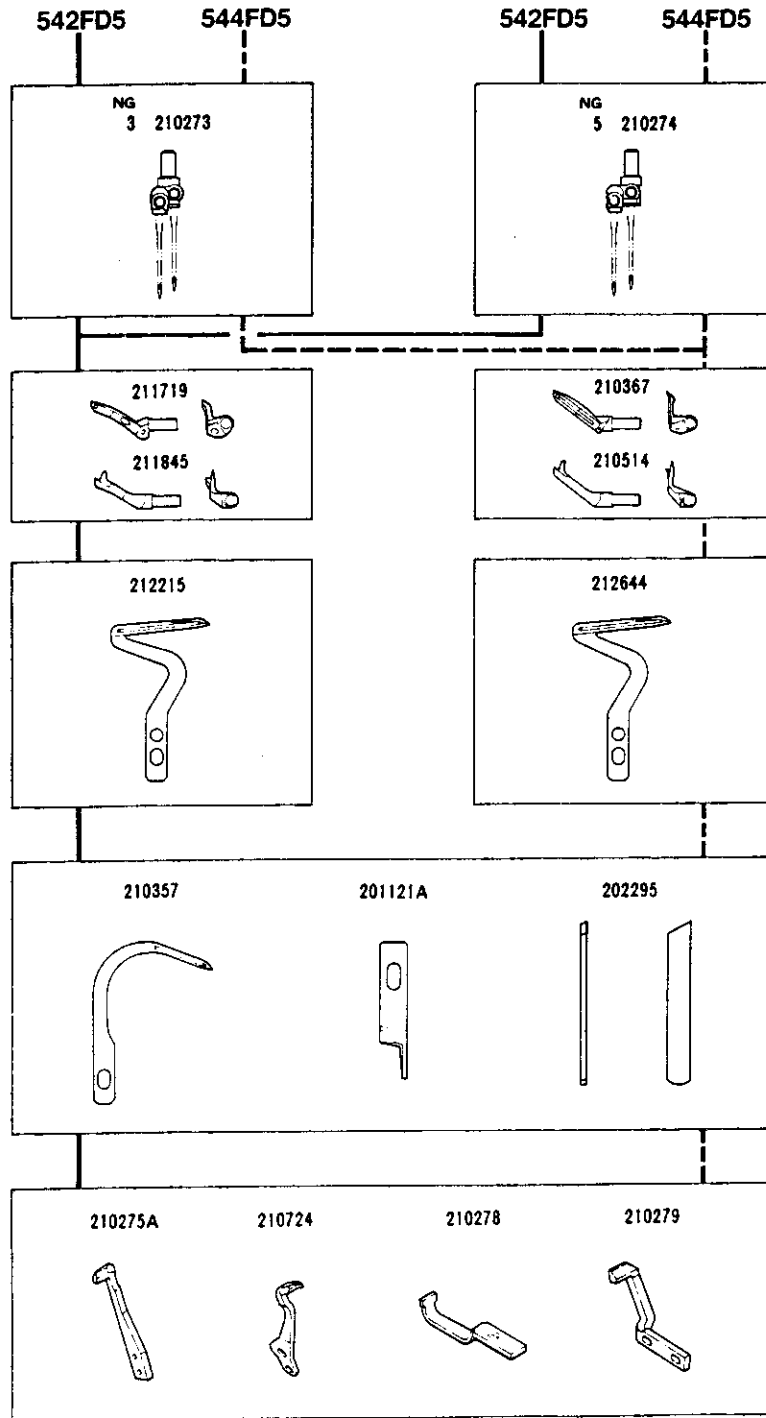


GATHERING • PIPING





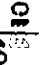
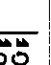



								MEMO	
9732-542FD4/P1(P2) /16-453 15	3	3, 4, 5	3, 8	0.7-2	0.7-2	EX	5, 500		Sportswear pajamas

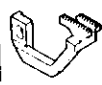
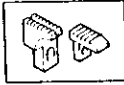
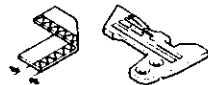
9732-542FD5/16-453
 9732-544FD5/16-353





GATHERING

	 mm	 mm	 mm	 Stitch	 Stitch		 s.p.m.	MEMO	
9732-542FD5 /16-453 /15	3	3,4,5	3.8	0.7~2	0.7~2	EX	5,500		Pajamas
	5	5,6							
9732-544FD5 /16-353 /15	3	3,4,5	"	"	"	HI	"		Blouses, children's wear
	5	5,6							



MACHINE TYPE /SPEC.	GAUGE		NEEDLE PLATE	MAIN FEED DOG COMP.	DIFF. FEED DOG	TOP FEED DOG	PRESSER BODY	UPPER LOOPER	UPPER SPREADER	LOWER LOOPER	401 LOOPER
	NG	SW									
9732-420FA2 /16-413 /15-413	3	3	212545-30	212753-16	212755-13F	212661-10F	212662-30	211719	211845	212215	210357
	3	4	" -40	"	"	"	" -40	" #38	" #29	"	"
	3	5	" -50	"	"	"	" -50	"	"	"	"
	3	6	" -60	"	"	"	" -60	"	"	"	"
9732-422FA2 /16-313 /15-313	3	3	212545-30	212753-16	212755-13F	212661-10F	212662-30	210366	210515	212644	210357
	3	4	" -40	"	"	"	" -40	" #26	" #27	"	"
	3	5	" -50	"	"	"	" -50	"	"	"	"
	3	6	" -60	"	"	"	" -60	"	"	"	"
9732-430FA2 /16-433 /15-433	3	3	212548-30	212684-16	212756-13F	212661-10F	212662-30	211719	211845	212215	210357
	3	4	" -40	"	"	"	" -40	" #38	" #29	"	"
	3	5	" -50	"	"	"	" -50	"	"	"	"
	5	5	212551-50	"	"	"	212665-50	"	"	"	"
	5	6	" -60	"	"	"	" -60	"	"	"	"
9732-432FA2 /16-453 /15-453	3	3	212682-30	212684-16	212686-13F	212661-10F	212662-30	211719	211845	212215	210357
	3	4	" -40	"	"	"	" -40	" #38	" #29	"	"
	3	5	" -50	"	"	"	" -50	"	"	"	"
	5	5	212683-50	"	212687-13F	"	212665-50	"	"	"	"
	5	6	" -60	"	"	"	" -60	"	"	"	"



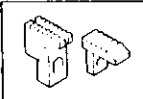
MACHINE TYPE /SPEC.	GAUGE		NEEDLE HOLDER	UPPER KNIFE	LOWER KNIFE	OVR. NDL	GUARD	401 NDL	GUARD	NEEDLE
	NG	SW				(FRONT)	(REAR)	(FRONT)	(REAR)	
9732-420FA2 /16-413 /15-413	3	3	210273	201121A	202295	210275A	210724	210278	210279	DCX27 #11
	3	4	"	"	"	"	"	"	"	"
	3	5	"	"	"	"	"	"	"	"
	3	6	"	"	"	"	"	"	"	"
9732-422FA2 /16-313 /15-313	3	3	210273	201121A	202295	210275A	210724	210278	210279	DCX27 #11
	3	4	"	"	"	"	"	"	"	"
	3	5	"	"	"	"	"	"	"	"
	3	6	"	"	"	"	"	"	"	"
9732-430FA2 /16-433 /15-433	3	3	210273	201121A	202295	210275A	210724	210278	210279	DCX27 #14
	3	4	"	"	"	"	"	"	"	"
	3	5	"	"	"	"	"	"	"	"
	5	5	210274	"	"	"	"	"	"	"
	5	6	"	"	"	"	"	"	"	"
9732-432FA2 /16-453 /15-453	3	3	210273	201121A	202295	210275A	210724	210278	210279	DCX27 #11
	3	4	"	"	"	"	"	"	"	"
	3	5	"	"	"	"	"	"	"	"
	5	5	210274	"	"	"	"	"	"	"
	5	6	"	"	"	"	"	"	"	"



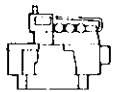
MACHINE TYPE /SPEC.	GAUGE		NEEDLE PLATE	MAIN FEED DOG COMP.	DIFF. FEED DOG	TOP FEED DOG	PRESSER BODY	UPPER LOOPER	UPPER SPREADER	LOWER LOOPER	401 LOOPER
	NG	SW									
9732-432FC2/P1(P2) /16-453 /15-453	3	4	212682-40	212684-16	212686-13F	212745-10F	212741-40	211719	211845	212215	210357
	3	5	" -50	"	"	"	" #38	" #29	"	"	"
	5	5	212683-50	"	212687-13F	212745A10F	212743-50	"	"	"	"
	5	6	" -60	"	"	"	"	"	"	"	"
9732-433FA2 /16-353 /15-353	3	3	212682-30	212684-16	212686-13F	212661-10F	212662-30	210367	210514	212644	210357
	3	4	" -40	"	"	"	" -40	" #28	" #25	"	"
	3	5	" -50	"	"	"	" -50	"	"	"	"
	5	5	212683-50	"	212687-13F	"	212665-50	"	"	"	"
9732-433FC2/P1(P2) /16-353 /15-353	3	4	212682-40	212684-16	212686-13F	212745-10F	212741-40	210367	210514	212644	210357
	3	5	" -50	"	"	"	" #28	" #25	"	"	"
	5	5	212683-50	"	212687-13F	212745A10F	212743-50	"	"	"	"
	5	6	" -60	"	"	"	"	"	"	"	"
9732-434FA2 /16-333 /15-333	3	3	212548-30	212684-16	212756-13F	212661-10F	212662-30	210367	210514	212644	210357
	3	4	" -40	"	"	"	" -40	" #28	" #25	"	"
	3	5	" -50	"	"	"	" -50	"	"	"	"
	5	5	212551-50	"	"	"	212665-50	"	"	"	"
5	6	" -60	"	"	"	" -60	"	"	"	"	



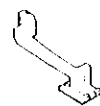
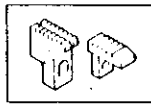
MACHINE TYPE /SPEC.	GAUGE		NEEDLE HOLDER	UPPER KNIFE	LOWER KNIFE	OVR. NDL (FRONT)	GUARD (REAR)	401 NDL (FRONT)	GUARD (REAR)	NEEDLE
	NG	SW								
9732-432FC2/P1(P2) /16-453 /15-453	3	4	210273	201121A	202295	210275A	210724	210278	210279	DCX27
	3	5	"	"	"	"	"	"	"	#14
	5	5	210274	"	"	"	"	"	"	"
	5	6	"	"	"	"	"	"	"	"
9732-433FA2 /16-353 /15-353	3	3	210273	201121A	202295	210275A	210724	210278	210279	DCX27
	3	4	"	"	"	"	"	"	"	#14
	3	5	"	"	"	"	"	"	"	"
	5	5	210274	"	"	"	"	"	"	"
5	6	"	"	"	"	"	"	"	"	
9732-433FC2/P1(P2) /16-353 /15-353	3	4	210273	201121A	202295	210275A	210724	210278	210279	DCX27
	3	5	"	"	"	"	"	"	"	#14
	5	5	210274	"	"	"	"	"	"	"
	5	6	"	"	"	"	"	"	"	"
9732-434FA2 /16-333 /15-333	3	3	210273	201121A	202295	210275A	210724	210278	210279	DCX27
	3	4	"	"	"	"	"	"	"	#14
	3	5	"	"	"	"	"	"	"	"
	5	5	210274	"	"	"	"	"	"	"
5	6	"	"	"	"	"	"	"	"	



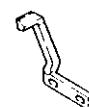
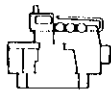
MACHINE TYPE /SPEC.	GAUGE		NEEDLE PLATE	MAIN FEED DOG COMP.	DIFF. FEED DOG	TOP FEED DOG	PRESSER BODY	UPPER LOOPER	UPPER SPREADER	LOWER LOOPER	401 LOOPER
	NG	SW									
9732-420FA3 /16-413 /15-413	3	3	210837	210579A16	212755-13F	212773-10F	212769-30	211719	211845	212215	210357
	3	4	210838	"	"	"	" -40	" #38	" #29	"	"
	3	5	210839	"	"	"	" -50	"	"	"	"
	3	6	210840	"	"	"	" -60	"	"	"	"
9732-422FA3 /16-313 /15-313	3	3	210837	210579A16	212755-13F	212773-10F	212769-30	210366	210515	212644	210357
	3	4	210838	"	"	"	" -40	" #26	" #27	"	"
	3	5	210839	"	"	"	" -50	"	"	"	"
	3	6	210840	"	"	"	" -60	"	"	"	"
9732-430FA3 /16-433 /15-433	3	3	210845	210581A16	212756-13F	212773-10F	212769-30	211719	211845	212215	210357
	3	4	210846	"	"	"	" -40	" #38	" #29	"	"
	3	5	210847	"	"	"	" -50	"	"	"	"
	3	6	210848	"	"	"	" -60	"	"	"	"



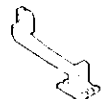
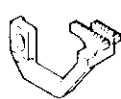
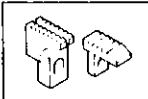
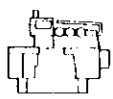
MACHINE TYPE /SPEC.	GAUGE		NEEDLE HOLDER	UPPER KNIFE	LOWER KNIFE	OVR. NDL (FRONT)	GUARD (REAR)	401 NDL (FRONT)	GUARD (REAR)	NEEDLE
	NG	SW								
9732-420FA3 /16-413 /15-413	3	3	210273	201121A	202295	210275A	210724	210278	210279	DCX27 #11
	3	4	"	"	"	"	"	"	"	"
	3	5	"	"	"	"	"	"	"	"
	3	6	"	"	"	"	"	"	"	"
9732-422FA3 /16-313 /15-313	3	3	210273	201121A	202295	210275A	210724	210278	210279	DCX27 #11
	3	4	"	"	"	"	"	"	"	"
	3	5	"	"	"	"	"	"	"	"
	3	6	"	"	"	"	"	"	"	"
9732-430FA3 /16-433 /15-433	3	3	210273	201121A	202295	210275A	210724	210278	210279	DCX27 #14
	3	4	"	"	"	"	"	"	"	"
	3	5	"	"	"	"	"	"	"	"
	3	6	"	"	"	"	"	"	"	"



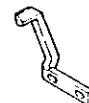
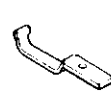
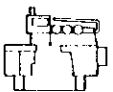
MACHINE TYPE /SPEC.	GAUGE		NEEDLE PLATE	MAIN FEED DOG COMP.	DIFF. FEED DOG	TOP FEED DOG	PRESSER BODY	UPPER LOOPER	UPPER SPREADER	LOWER LOOPER	401 LOOPER
	NG	SW									
9732-432FA3 /16-453 /15-453	3 3 3	3 4 5	210859 210860 210861	210581A16 " "	212686-13F " "	212773-10F " "	212769-30 " -40 " -50	211719 " #38 "	211845 " #29 "	212215 " "	210357 " "
9732-433FA3 /16-353 /15-353	3 3 3	3 4 5	210859 210860 210861	210581A16 " "	212686-13F " "	212773-10F " "	212769-30 " -40 " -50	210367 " #28 "	210514 " #25 "	212644 " "	210357 " "
9732-434FA3 /16-333 /15-333	3 3 3	3 4 5	210845 210846 210847	210581A16 " "	212756-13F " "	212773-10F " "	212769-30 " -40 " -50	210367 " #28 "	210514 " #25 "	212644 " "	210357 " "
9732-452FA4 /16-455 /15-455	5 5 5	5 6 7	213526-50 " -60 " -70	210582 " "	212994-25 " "	212924-20 " "	213551 " "	211719 " #38 "	211845 " #29 "	212644 " "	210357 " "



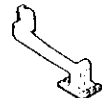
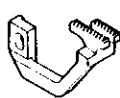
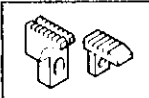
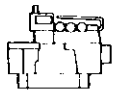
MACHINE TYPE /SPEC.	GAUGE		NEEDLE HOLDER	UPPER KNIFE	LOWER KNIFE	OVR. NDL (FRONT)	GUARD (REAR)	401 NDL (FRONT)	GUARD (REAR)	NEEDLE
	NG	SW								
9732-432FA3 /16-453 /15-453	3 3 3	3 4 5	210273 " "	201121A " "	202295 " "	210275A " "	210724 " "	210278 " "	210279 " "	DCX27 #14
9732-433FA3 /16-353 /15-353	3 3 3	3 4 5	210273 " "	201121A " "	202295 " "	210275A " "	210724 " "	210278 " "	210279 " "	DCX27 #14
9732-434FA3 /16-333 /15-333	3 3 3	3 4 5	210273 " "	201121A " "	202295 " "	210275A " "	210724 " "	210278 " "	210279 " "	DCX27 #14
9732-452FA4 /16-455 /15-455	5 5 5	5 6 7	210274 " "	201121A " "	202295 " "	210275A " "	210724 " "	210278 " "	210279 " "	DCX1 #19



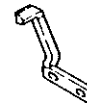
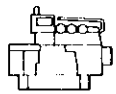
MACHINE TYPE /SPEC.	GAUGE		NEEDLE PLATE	MAIN FEED DOG COMP.	DIFF. FEED DOG	TOP FEED DOG	PRESSER BODY	UPPER LOOPER	UPPER SPREADER	LOWER LOOPER	401 LOOPER
	NG	SW									
9732-542FD3 /16-453/KL100 /15-453/KL100	3	3	210859	210581A16	212686-13F	212773-10F	212769-30	211719	211845	212215	210357
	3	4	210860	"	"	"	" -40	" #38	" #29	"	"
	3	5	210861	"	"	"	" -50	"	"	"	"
9732-542FD4/P1(P2) /16-413/KL100 /15-413/KL100	3	3	210837	210579A16	212755-13F	212773-10F	212769-30	211719	211845	212215	210357
	3	4	210838	"	"	"	" -40	" #38	" #29	"	"
	3	5	210839	"	"	"	" -50	"	"	"	"
9732-542FD4/P1(P2) /16-453/KL100 /15-453/KL100	5	5	210865	210581A16	212687-13F	212933-10F	212931-50	211719	211845	212215	210357
	5	6	210866	"	"	"	" -60	" #38	" #29	"	"
9732-544FD3 16-353/KL100 15-353/KL100	3	3	210859	210581A16	212686-13F	212773-10F	212769-30	210367	210514	212644	210357
	3	4	210860	"	"	"	" -40	" #28	" #25	"	"
	3	6	210861	"	"	"	" -50	"	"	"	"



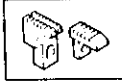
MACHINE TYPE /SPEC.	GAUGE		NEEDLE HOLDER	UPPER KNIFE	LOWER KNIFE	OVR. NDL (FRONT)	GUARD (REAR)	401 NDL (FRONT)	GUARD (REAR)	NEEDLE
	NG	SW								
9732-542FD3 /16-453/KL100 /15-453/KL100	3	3	210273	201121A	202295	210275A	210724	210278	210279	DCX27 #14
	3	4	"	"	"	"	"	"	"	"
	3	5	"	"	"	"	"	"	"	"
9732-542FD4/P1(P2) /16-413/KL100 /15-413/KL100	3	3	210273	201121A	202295	210275A	210724	210278	210279	DCX27 #14
	3	4	"	"	"	"	"	"	"	"
	3	5	"	"	"	"	"	"	"	"
9732-542FD4/P1(P2) /16-453/KL100 /15-453/KL100	5	5	210274	201121A	202295	210275A	210724	210278	210279	DCX27 #14
	5	6	"	"	"	"	"	"	"	"
9732-544FD3 16-353/KL100 15-353/KL100	3	3	210273	201121A	202295	210275A	210724	210278	210279	DCX27 #14
	3	4	"	"	"	"	"	"	"	"
	3	6	"	"	"	"	"	"	"	"



MACHINE TYPE /SPEC.	GAUGE		NEEDLE PLATE	MAIN FEED DOG COMP.	DIFF. FEED DOG	TOP FEED DOG	PRESSER BODY	UPPER LOOPER	UPPER SPREADER	LOWER LOOPER	401 LOOPER
	NG	SW									
9732-430BA2 /16-433 /15-433	3	3	212548-30	212684-16	210494A16	212064-BF	212053	211719	211845	212215	210357
	3	4	" -40	"	"	"	"	" #38	" #29	"	"
	3	5	" -50	"	"	"	"	"	"	"	"
	5	5	212551-50	"	"	"	212056	"	"	"	"
	5	6	" -60	"	"	"	"	"	"	"	"
9732-432BA2 /16-453 /15-453	3	3	212682-30	212684-16	210497A16	212064-BF	212053	211719	211845	212215	210357
	3	4	" -40	"	"	"	"	" #38	" #29	"	"
	3	5	" -50	"	"	"	"	"	"	"	"
	5	5	212683-50	"	"	"	212056	"	"	"	"
	5	6	" -60	"	"	"	"	"	"	"	"
9732-432BC2/P1(P2) /16-453 /15-453	3	4	212682-40	212684-16	210497A16	212064A13F	212053A	211719	211845	212215	210357
	3	5	" -50	"	"	"	"	" #38	" #29	"	"
	5	5	212683-50	"	210500A16	212064B13F	212056A	"	"	"	"
	5	6	" -60	"	"	"	"	"	"	"	"



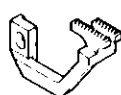
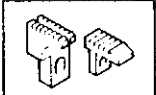
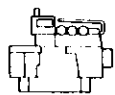
MACHINE TYPE /SPEC.	GAUGE		NEEDLE HOLDER	UPPER KNIFE	LOWER KNIFE	OVR. NDL (FRONT)	GUARD (REAR)	401 NDL (FRONT)	GUARD (REAR)	NEEDLE
	NG	SW								
9732-430BA2 /16-433 /15-433	3	3	210273	201121A	202295	210275A	210724	210278	210279	DCX27 #14
	3	4	"	"	"	"	"	"	"	
	3	5	"	"	"	"	"	"	"	
	5	5	210274	"	"	"	"	"	"	
	5	6	"	"	"	"	"	"	"	
9732-432BA2 /16-453 /15-453	3	3	210273	201121A	202295	210275A	210724	210278	210279	DCX27 #14
	3	4	"	"	"	"	"	"	"	
	3	5	"	"	"	"	"	"	"	
	5	5	210274	"	"	"	"	"	"	
	5	6	"	"	"	"	"	"	"	
9732-432BC2/P1(P2) /16-453 /15-453	3	4	210273	201121A	202295	210275A	210724	210278	210279	DCX27 #14
	3	5	"	"	"	"	"	"	"	
	5	5	210274	"	"	"	"	"	"	
	5	6	"	"	"	"	"	"	"	



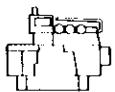
MACHINE TYPE /SPEC.	GAUGE		NEEDLE PLATE	MAIN FEED DOG COMP.	DIFF. FEED DOG	TOP FEED DOG	PRESSER BODY	UPPER LOOPER	UPPER SPREADER	LOWER LOOPER	401 LOOPER
	NG	SW									
9732-452BA2 /16-433 /15-433	3	5	212700-50	212684-16	210494A16	212064-BF	212053	211719	211845	212644	210357
	3	6	" -60	"	"	"	"	" #38	" #29	"	"
	5	5	212701-50	"	"	"	212056	"	"	"	"
	5	6	" -60	"	"	"	"	"	"	"	"
	5	7	" -70	"	"	"	"	"	"	"	"
9732-452BA4 /16-433 /15-433	3	5	212700-50	212684-16	210494A16	212699-13F	211366A	211719	211845	212644	210357
	3	6	" -60	"	"	"	"	" #38	" #29	"	"
	5	5	212701-50	"	"	"	208955A	"	"	"	"
	5	6	" -60	"	"	"	"	"	"	"	"
	5	7	" -70	"	"	"	"	"	"	"	"
9732-453BA2 /16-453 /15-453	5	5	212702-50	212684-16	210500A16	212064-BF	212056	211719	211845	212644	210357
	5	6	" -60	"	"	"	"	" #38	" #29	"	"
	5	7	" -70	"	"	"	"	"	"	"	"
9732-453BA4 /16-453 /15-453	5	5	212702-50	212684-16	210500A16	212699-13F	208955A	211719	211845	212644	210357
	5	6	" -60	"	"	"	"	" #38	" #29	"	"
	5	7	" -70	"	"	"	"	"	"	"	"



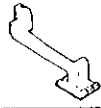
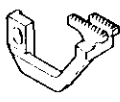
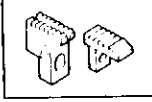
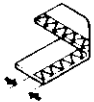
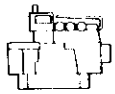
MACHINE TYPE /SPEC.	GAUGE		NEEDLE HOLDER	UPPER KNIFE	LOWER KNIFE	DVR. NDL (FRONT)	GUARD (REAR)	401 NDL (FRONT)	GUARD (REAR)	NEEDLE
	NG	SW								
9732-452BA2 /16-433 /15-433	3	5	210273	201121A	202295	210275A	210724	210278	210279	DCX27 #19
	3	6	"	"	"	"	"	"	"	"
	5	5	210274	"	"	"	"	"	"	"
	5	6	"	"	"	"	"	"	"	"
	5	7	"	"	"	"	"	"	"	"
9732-452BA4 /16-433 /15-433	3	5	210273	201121A	202295	210275A	210724	210278	210279	DCX27 #19
	3	6	"	"	"	"	"	"	"	"
	5	5	210274	"	"	"	"	"	"	"
	5	6	"	"	"	"	"	"	"	"
	5	7	"	"	"	"	"	"	"	"
9732-453BA2 /16-453 /15-453	5	5	210274	201121A	202295	210275A	210724	210278	210279	DCX27 #19
	5	6	"	"	"	"	"	"	"	"
	5	7	"	"	"	"	"	"	"	"
9732-453BA4 /16-453 /15-453	5	5	210274	201121A	202295	210275A	210724	210278	210279	DCX27 #19
	5	6	"	"	"	"	"	"	"	"
	5	7	"	"	"	"	"	"	"	"



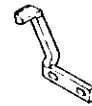
MACHINE TYPE /SPEC.	GAUGE		NEEDLE PLATE	MAIN FEED DOG COMP.	DIFF. FEED DOG	TOP FEED DOG	PRESSER BODY	UPPER LOOPER	UPPER SPREADER	LOWER LOOPER	401 LOOPER
	NG	SW									
9732-420FAS /16-413 /15-413	3	3	210837	212914-16	212755-13F	212661-10F	212905-30	211719	211845	212215	210357
	3	4	210838	"	"	"	" -40	" #38	" #29	"	"
	3	5	210839	"	"	"	" -50	"	"	"	"
	3	6	210840	"	"	"	" -60	"	"	"	"
9732-422FAS /16-313 /15-313	3	3	210837	212914-16	212755-13F	212661-10F	212905-30	210366	210515	212644	210357
	3	4	210838	"	"	"	" -40	" #26	" #27	"	"
	3	5	210839	"	"	"	" -50	"	"	"	"
	3	6	210840	"	"	"	" -60	"	"	"	"
9732-430FAS /16-433 /15-433	3	3	210845	212916-16	212756-13F	212661-10F	212905-30	211719	211845	212215	210357
	3	4	210846	"	"	"	" -40	" #38	" #29	"	"
	3	5	210847	"	"	"	" -50	"	"	"	"
	5	5	210851	"	"	"	212910-50	"	"	"	"
	5	6	210852	"	"	"	" -60	"	"	"	"



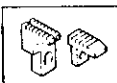
MACHINE TYPE /SPEC.	GAUGE		NEEDLE HOLDER	UPPER KNIFE	LOWER KNIFE	OVR. NDL	GUARD	401 NDL	GUARD	NEEDLE
	NG	SW				(FRONT)	(REAR)	(FRONT)	(REAR)	
9732-420FAS /16-413 /15-413	3	3	210273	201121A	202295	210275A	210724	210278	210279	DCX27 #11
	3	4	"	"	"	"	"	"	"	
	3	5	"	"	"	"	"	"	"	
	3	6	"	"	"	"	"	"	"	
9732-422FAS /16-313 /15-313	3	3	210273	201121A	202295	210275A	210724	210278	210279	DCX27 #11
	3	4	"	"	"	"	"	"	"	
	3	5	"	"	"	"	"	"	"	
	3	6	"	"	"	"	"	"	"	
9732-430FAS /16-433 /15-433	3	3	210273	201121A	202295	210275A	210724	210278	210279	DCX27 #14
	3	4	"	"	"	"	"	"	"	
	3	5	"	"	"	"	"	"	"	
	5	5	210274	"	"	"	"	"	"	
	5	6	"	"	"	"	"	"	"	



MACHINE TYPE /SPEC.	GAUGE		NEEDLE PLATE	MAIN FEED DOG COMP.	DIFF. FEED DOG	TOP FEED DOG	PRESSER BODY	UPPER LOOPER	UPPER SPREADER	LOWER LOOPER	401 LOOPER
	NG	SW									
9732-432FA5 /16-453 /15-453	3	3	210859	212916-16	212686-13F	212661-10F	212905-30	210719	210845	212215	210357
	3	4	210860	"	"	"	" -40	" #38	" #29	"	"
	3	5	210861	"	"	"	" -50	"	"	"	"
	5	5	210865	"	212687-13F	"	212910-50	"	"	"	"
	5	6	210866	"	"	"	" -60	"	"	"	"
9732-433FA5 /16-353 /15-353	3	3	210859	212916-16	212686-13F	212661-10F	212905-30	210367	210514	212644	210357
	3	4	210860	"	"	"	" -40	" #28	" #25	"	"
	3	5	210861	"	"	"	" -50	"	"	"	"
	5	5	210865	"	212687-13F	"	212910-50	"	"	"	"
	5	6	210866	"	"	"	" -60	"	"	"	"
9732-434FA5 /16-333 /15-333	3	3	210845	212916-16	212756-13F	212661-10F	212905-30	210367	210514	212644	210357
	3	4	210846	"	"	"	" -40	" #28	" #25	"	"
	3	5	210847	"	"	"	" -50	"	"	"	"
	5	5	210851	"	"	"	212910-50	"	"	"	"
	5	6	210852	"	"	"	" -60	"	"	"	"



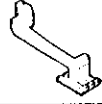
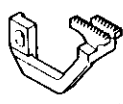
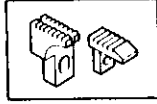
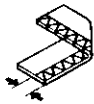
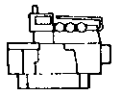
MACHINE TYPE /SPEC.	GAUGE		NEEDLE HOLDER	UPPER KNIFE	LOWER KNIFE	OVR. NDL (FRONT)	GUARD (REAR)	401 NDL (FRONT)	GUARD (REAR)	NEEDLE
	NG	SW								
9732-432FA5 /16-453 /15-453	3	3	210273	201121A	202295	210275A	210724	210278	210279	DCX27 #14
	3	4	"	"	"	"	"	"	"	"
	3	5	"	"	"	"	"	"	"	"
	5	5	210274	"	"	"	"	"	"	"
	5	6	"	"	"	"	"	"	"	"
9732-433FA5 /16-353 /15-353	3	3	210273	201121A	202295	210275A	210724	210278	210279	DCX27 #14
	3	4	"	"	"	"	"	"	"	"
	3	5	"	"	"	"	"	"	"	"
	5	5	210274	"	"	"	"	"	"	"
	5	6	"	"	"	"	"	"	"	"
9732-434FA5 /16-333 /15-333	3	3	210273	201121A	202295	210275A	210724	210278	210279	DCX27 #14
	3	4	"	"	"	"	"	"	"	"
	3	5	"	"	"	"	"	"	"	"
	5	5	210274	"	"	"	"	"	"	"
	5	6	"	"	"	"	"	"	"	"



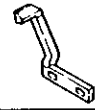
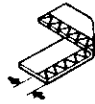
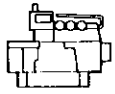
MACHINE TYPE /SPEC.	GAUGE		NEEDLE PLATE	MAIN FEED DOG COMP.	DIFF. FEED DOG	TOP FEED DOG	PRESSER BODY	UPPER LOOPER	UPPER SPREADER	LOWER LOOPER	401 LOOPER
	NG	SW									
9732-542FD2 /16-453/KL100	3	3	212682-30	212684-16	212686-13F	212661-10F	212662-30	211719	211845	212215	210357
	3	4	" -40	"	"	"	" -40	" #38	" #29	"	"
	3	5	" -50	"	"	"	" -50	"	"	"	"
	5	5	212683-50	"	212687-13F	"	212665-50	"	"	"	"
	5	6	" -60	"	"	"	" -60	"	"	"	"
9732-544FD2 /16-353/KL100 /15-353/KL100	3	3	212682-30	212684-16	212686-13F	212661-10F	212662-30	210367	210514	212644	210357
	3	4	" -40	"	"	"	" -40	" #28	" #25	"	"
	3	5	" -50	"	"	"	" -50	"	"	"	"
	5	5	212683-50	"	212687-13F	"	212665-50	"	"	"	"
	5	6	" -60	"	"	"	" -60	"	"	"	"
9732-542FD5 /16-453/KL100	3	3	210859	212916-16	212686-13F	212661-10F	212905-30	211719	211845	212215	210357
	3	4	210860	"	"	"	" -40	" #38	" #29	"	"
	3	5	210861	"	"	"	" -50	"	"	"	"
	5	5	210865	"	212687-13F	"	212910-50	"	"	"	"
	5	6	210866	"	"	"	" -60	"	"	"	"
9732-544FD5 /16-353/KL100 /15-353/KL100	3	3	210859	212916-16	212686-13F	212661-10F	212905-30	210367	210514	212644	210357
	3	4	210860	"	"	"	" -40	" #28	" #25	"	"
	3	5	210861	"	"	"	" -50	"	"	"	"
	5	5	210865	"	212687-13F	"	212910-50	"	"	"	"
	5	6	210866	"	"	"	" -60	"	"	"	"



MACHINE TYPE /SPEC.	GAUGE		NEEDLE HOLDER	UPPER KNIFE	LOWER KNIFE	OVR. NDL (FRONT)	GUARD (REAR)	401 NDL (FRONT)	GUARD (REAR)	NEEDLE
	NG	SW								
9732-542FD2 /16-453/KL100	3	3	210273	201121A	202295	210275A	210724	210278	210279	DCX27 #14
	3	4	"	"	"	"	"	"	"	"
	3	5	"	"	"	"	"	"	"	"
	5	5	210274	"	"	"	"	"	"	"
	5	6	"	"	"	"	"	"	"	"
9732-544FD2 /16-353/KL100 /15-353/KL100	3	3	210273	201121A	202295	210275A	210724	210278	210279	DCX27 #14
	3	4	"	"	"	"	"	"	"	"
	3	5	"	"	"	"	"	"	"	"
	5	5	210274	"	"	"	"	"	"	"
	5	6	"	"	"	"	"	"	"	"
9732-542FD5 /16-453/KL100	3	3	210273	201121A	202295	210275A	210724	210278	210279	DCX27 #14
	3	4	"	"	"	"	"	"	"	"
	3	5	"	"	"	"	"	"	"	"
	5	5	210274	"	"	"	"	"	"	"
	5	6	"	"	"	"	"	"	"	"
9732-544FD5 /16-353/KL100 /15-353/KL100	3	3	210273	201121A	202295	210275A	210724	210278	210279	DCX27 #14
	3	4	"	"	"	"	"	"	"	"
	3	5	"	"	"	"	"	"	"	"
	5	5	210274	"	"	"	"	"	"	"
	5	6	"	"	"	"	"	"	"	"



MACHINE TYPE /SPEC.	GAUGE		NEEDLE PLATE	MAIN FEED DOG COMP.	DIFF. FEED DOG	TOP FEED DOG	PRESSER BODY	UPPER LOOPER	UPPER SPREADER	LOWER LOOPER	401 LOOPER	
	NG	SW										
9732-355FA5 /453	3 3	2 2	3 4	212964-30 "-40	212914-16 "	212968-13F "	212661-10F "	212970-30 "-40	211719 "#38	----- -----	212215 "	210357 "
9732-359FA5 /453	3 3	2 2	3 4	212964-30 "-40	212914-16 "	212968-13F "	212661-10F "	212970-30 "-40	211844 "#42	----- -----	212215 "	210357 "
9732-555FA5 /453	5 5	2 2	3 4	212965-30 "-40	212916-16 "	212969-13F "	212661-10F "	212971-30 "-40	211719 "#38	----- -----	212215 "	210357 "
9732-559FA5 /453	5 5	2 2	3 4	212965-30 "-40	212916-16 "	212969-13F "	212661-10F "	212971-30 "-40	211844 "#42	----- -----	212215 "	210357 "



MACHINE TYPE /SPEC.	GAUGE		NEEDLE HOLDER	UPPER KNIFE	LOWER KNIFE	OVR. NDL (FRONT)	GUARD (REAR)	401 NDL (FRONT)	GUARD (REAR)	NEEDLE	
	NG	SW									
9732-355FA5 /453	3 3	2 2	3 4	211573 "	201121A "	202295 "	211578 "	210724 "	210278 "	210279 "	DCX27 #11
9732-359FA5 /453	3 3	2 2	3 4	211573 "	201121A "	202295 "	211578 "	210724 "	210278 "	210279 "	DCX27 #11
9732-555FA5 /453	5 5	2 2	3 4	211577 "	201121A "	202295 "	211578 "	210724 "	210278 "	210279 "	DCX27 #11
9732-559FA5 /453	5 5	2 2	3 4	211577 "	201121A "	202295 "	211578 "	210724 "	210278 "	210279 "	DCX27 #11

INDEX

PART NO.		PFAFF-NO	PAGE	NO. REF.	PART NO.	PFAFF-NO	PAGE	NO. REF.	PART NO.	PFAFF-NO	PAGE	NO. REF.
DCX1			95		1175-2	09-009 048-13	25	5	4012	09-009 612-25	57	28
DCX27			92		1175-2	09-009 048-13	31	25	4012	09-009 612-25	55	24
DCX27			93		1175-2	09-009 048-13	31	30	4012	09-009 612-25	55	28
DCX27			94		1175-2	09-009 048-13	31	37	4014	09-009 612-27	57	21
DCX27			95		1175-2	09-009 048-13	33	18	4014	09-009 612-27	55	21
DCX27			96		1175-2	09-009 048-13	41	13	4021	09-400 786-00	57	17
DCX27			97		1175-2	09-009 048-13	47	26	4021	09-400 786-00	55	17
DCX27			98		1175-3	09-009 048-14	9	30	4022	09-400 787-00	57	14
DCX27			99		1196	09-009 048-16	47	36	4022	09-400 787-00	57	35
DCX27			100		1202	09-009 048-17	9	38	4022	09-400 787-00	55	14
DCX27			101		1202	09-009 048-17	51	19	4022	09-400 787-00	55	35
DCX27			102		1202	09-009 048-17	51	26	4117		57	33
127	91-029 007-91	55	11		1216	09-009 048-20	9	25	4117		55	33
128	91-029 480-91	55	12		1216	09-009 048-20	9	43	4512	09-400 788-00	53	5
131	09-009 815-08	55	16		1216	09-009 048-20	27	32	4802	09-400 064-00	25	24
153	09-009 819-55	55	15		1231	09-009 048-09	19	28	4803	09-009 612-30	57	8
178	09-009 600-03	55	5		1231	09-009 048-09	23	28	4803	09-009 612-30	57	22
179	09-009 071-00	55	14		1234	09-009 048-23	27	38	4803	09-009 612-30	57	25
200	09-009 815-07	55	10		1234	09-009 048-23	47	32	4803	09-009 612-30	57	29
233-CA	09-009 619-24	57	23		1435	09-009 048-63	7	24	4803	09-009 612-30	55	8
233-CA	09-009 619-24	55	23		1448	09-009 054-64	13	9	4803	09-009 612-30	55	22
272	09-009 612-01	53	31		1457	09-009 048-64	15	7	4803	09-009 612-30	55	25
282	09-009 048-05	55	6		1458	09-009 048-66	43	8	4803	09-009 612-30	55	29
284	09-009 048-25	55	7		1458	09-009 048-66	43	25	4805	09-400 065-00	49	24
285	09-009 048-26	55	8		1459	09-009 053-73	7	25	4805	09-400 065-00	57	18
293	09-009 619-27	57	26		1459	09-009 053-73	11	3	4805	09-400 065-00	57	34
293	09-009 619-27	55	26		1459	09-009 053-73	11	18	4805	09-400 065-00	55	18
293A	09-400 768-00	57	27		1459	09-009 053-73	39	33	4805	09-400 065-00	55	34
293A	09-400 768-00	55	27		1459	09-009 053-73	47	12	4806	09-009 807-13	47	9
322	09-009 815-06	55	9		1732	09-009 048-67	29	44	4818	09-009 732-56	51	37
380A	09-009 807-04	57	6		1998-2	09-009 048-69	21	6	4904	09-009 612-31	53	12
380A	09-009 807-04	55	6		1998-2	09-009 048-69	21	17	4906	09-009 807-14	49	12
381-CA	09-009 612-14	57	9		1998-2	09-009 048-69	35	25	4906	09-009 807-14	49	15
381-CA	09-009 612-14	55	9		2022-4	09-009 051-78	11	11	4906	09-009 807-14	53	16
382-CA	09-009 815-13	57	11		2022-4	09-009 051-78	11	26	4908	09-009 732-57	51	39
382-CA	09-009 815-13	55	11		2133-1	09-009 053-36	3	6	5002	09-009 053-54	17	43
383-CA	09-009 815-16	57	19		2133-1	09-009 053-36	3	8	5012	09-009 065-32	7	6
383-CA	09-009 815-16	55	19		2133-1	09-009 053-36	31	13	5012	09-009 065-32	19	45
384	09-009 612-17	57	20		2133-1	09-009 053-36	33	20	5022	09-009 068-68	15	12
384	09-009 612-17	55	20		2193	09-009 053-37	19	19	5022	09-009 068-68	17	35
386	09-009 612-19	57	36		2193	09-009 053-37	23	21	5029	09-009 053-59	13	8
386	09-009 612-19	55	36		2193	09-009 053-37	29	5	5029	09-009 053-59	39	46
403	09-009 732-44	51	29		2193	09-009 053-37	37	27	5030	09-009 053-60	39	29
404	09-009 732-45	51	31		2285B	09-009 823-61	39	2	5030	09-009 053-60	39	36
405	09-009 732-46	51	35		2902	09-009 053-42	19	31	5030	09-009 732-58	13	24
406	09-009 732-47	51	30		2902	09-009 053-42	23	36	5053	09-009 053-62	35	12
407	09-009 732-48	51	33		2902	09-009 053-42	31	44	5053	09-009 053-62	51	8
408	09-009 732-49	51	34		2902	09-009 053-42	37	4	5059	09-009 612-34	15	26
409	09-009 732-50	51	36		2905	09-009 823-33	7	29	5060	09-009 053-64	9	6
410-JA	09-009 813-01	51	38		2905	09-009 823-33	9	16	5060	09-009 053-64	9	22
413	09-009 732-52	51	28		2905	09-009 823-33	9	18	5060	09-009 053-64	15	32
414	09-009 732-53	55	13		2905	09-009 823-33	9	45	5060	09-009 053-64	41	4
453	09-009 734-78	55	2		2905	09-009 823-33	19	13	5060	09-009 053-64	43	4
470	09-009 807-07	53	28		2905	09-009 823-33	29	46	5077	09-009 054-69	27	34
471	09-009 807-08	53	29		2905	09-009 823-33	33	37	5077	09-009 054-69	47	39
480	09-009 815-09	55	17		2905	09-009 823-33	35	4	5077	09-009 054-69	47	41
482	09-400 028-00	55	21		2905	09-009 823-33	41	40	5078	09-009 053-69	5	3
484	09-400 029-00	55	4		2905	09-009 823-33	43	53	5082A	09-009 053-74	17	8
485	09-400 030-00	55	3		2905	09-009 823-33	47	4	5082A	09-009 053-74	19	8
486-9C	09-400 776-00	57			2906	09-009 812-23	51	11	5082A	09-009 053-74	23	8
486-9C	09-400 776-00	55			2913-1	09-009 054-67	5	27	5084	09-009 053-76	25	14
486A9C	09-009 612-04	57			2921	09-009 053-46	39	25	5084	09-009 053-76	25	23
486A9C	09-009 612-04	55			2921	09-009 053-46	39	53	5084	09-009 053-76	27	16
502-CA	09-009 815-14	57	15		2921	09-009 053-46	39	58	5084	09-009 053-76	29	32
502-CA	09-009 815-14	55	15		2921	09-009 053-46	39	60	5084	09-009 053-76	31	15
503-CA	09-009 815-12	57	1		2921	09-009 053-46	47	44	5084	09-009 053-76	37	18
503-CA	09-009 815-12	55	1		2921	09-009 053-46	47	48	5088	09-009 053-80	37	6
504-CA	09-400 779-00	57	16		2922	09-009 065-38	25	7	5088	09-009 053-80	51	16
504-CA	09-400 779-00	55	16		3044	09-009 053-49	7	16	5089	09-009 053-81	33	32
505-CA	09-400 781-00	57	4		3044	09-009 053-49	9	48	5089	09-009 053-81	39	23
505-CA	09-400 781-00	55	4		3044	09-009 053-49	27	11	5091	09-009 067-20	29	53
505ACA	09-400 780-00	57	5		3044	09-009 053-49	35	9	5091	09-009 067-20	45	3
505ACA	09-400 780-00	55	5		3044	09-009 053-49	39	9	5094	09-009 053-82	37	24
506	09-400 782-00	57	32		3044	09-009 053-49	49	8	5095	09-009 053-83	9	3
506	09-400 782-00	55	32		3044	09-009 053-49	51	6	5095	09-009 053-83	41	14
507	09-400 783-00	57	10		3091	09-009 053-50	7	19	5095	09-009 053-83	43	11
507	09-400 783-00	55	10		3091	09-009 053-50	47	20	5095	09-009 053-83	43	23
509	09-400 784-00	57	2		4009-1	09-009 053-53	5	17	5104	09-009 600-23	47	24
509	09-400 784-00	55	2		4009-1	09-009 053-53	7	10	5104	09-009 600-23	53	21
512	09-400 785-00	57	13		4009-1	09-009 053-53	7	33	5111	09-009 807-16	47	6
512	09-400 785-00	55	13		4009-1	09-009 053-53	9	8	5113	09-009 054-70	41	48
527-CA		57	30		4009-1	09-009 053-53	9	41	5113	09-009 054-70	43	62
527-CA		55	30		4009-1	09-009 053-53	19	50	5117	09-009 053-88	5	24
527ACA		57	31		4009-1	09-009 053-53	27	2	5117	09-009 053-88	9	10
527ACA		55	31		4009-1	09-009 053-53	27	41	5117	09-009 053-88	13	19
908	09-400 032-00	55	1		4009-1	09-009 053-53	31	11	5117	09-009 053-88	17	14
1132	09-009 048-10	33	40		4009-1	09-009 053-53	37	22	5117	09-009 053-88	27	6
1174	09-009 067-44	7	18		4009-1	09-009 053-53	49	6	5117	09-009 053-88	29	36
1174	09-009 067-44	15	35		4012	09-009 612-25	51	32	5117	09-009 053-88	29	42
1175-2	09-009 048-13	23	34		4012	09-009 612-25	57	24	5117	09-009 053-88	33	4

INDEX

PART NO.	FFAFF-NO	PAGE	NO. REF.	PART NO.	FFAFF-NO	PAGE	NO. REF.	PART NO.	FFAFF-NO	PAGE	NO. REF.
5117	09-009 053-88	35	2	5457	09-009 612-42	29	28	200155	09-009 065-56	45	8
5117	09-009 053-88	37	30	5457	09-009 612-42	31	3	200555	09-009 071-03	9	34
5117	09-009 053-88	39	39	5457	09-009 612-42	31	8	200555	09-009 071-03	47	30
5117	09-009 053-88	41	46	5457	09-009 612-42	37	10	201002	09-009 601-58	3	9
5117	09-009 053-88	43	10	5457	09-009 612-42	39	6	201022	09-009 049-09	35	14
5117	09-009 053-88	43	60	5461	09-009 612-44	13	13	201037	09-009 049-22	17	4
5118	09-009 053-89	29	49	5461	09-009 612-44	15	30	201056	09-009 049-35	15	6
5118	09-009 053-89	41	21	5461	09-009 612-44	25	19	201068	09-009 049-44	19	4
5118	09-009 053-89	43	17	5461	09-009 612-44	29	7	201086	09-009 049-57	17	10
5118	09-009 053-89	47	15	5461	09-009 612-44	29	21	201086	09-009 049-57	23	4
5118	09-009 053-89	51	12	5461	09-009 612-44	37	12	201089	09-009 049-60	23	14
5137	09-009 053-91	17	11	5476	09-009 612-45	57	3	*201121A	09-009 050-06	37	5
5138B	09-009 067-17	41	43	5476	09-009 612-45	55	3	*201121A	09-009 050-06	92	1
5138B	09-009 067-17	43	56	5480	09-009 612-47	7	31	*201121A	09-009 050-06	93	1
5142	09-009 053-94	5	22	5481	09-009 612-48	39	3	*201121A	09-009 050-06	96	1
5142	09-009 053-94	9	12	5482	09-009 612-49	5	18	*201121A	09-009 050-06	95	1
5143A	09-009 600-25	23	11	5483	09-009 612-50	7	15	*201121A	09-009 050-06	96	1
5145	09-009 600-26	41	15	5484-HC	09-009 612-51	17	37	*201121A	09-009 050-06	97	1
5146	09-009 053-95	5	11	5485	09-009 612-52	15	3	*201121A	09-009 050-06	98	1
5152	09-009 053-99	51	22	5486	09-009 612-53	29	38	*201121A	09-009 050-06	99	1
5163	09-009 054-71	5	12	5486	09-009 612-53	35	7	*201121A	09-009 050-06	100	1
5163	09-009 054-71	9	14	5487	09-009 612-54	23	32	*201121A	09-009 050-06	101	1
5184	09-009 054-02	51	4	5487	09-009 612-54	25	2	*201121A	09-009 050-06	102	1
5198	09-009 054-04	9	2	5488	09-009 612-55	7	21	201185	09-009 050-38	7	11
5205	09-009 069-93	31	42	5489	09-009 612-56	31	23	201185	09-009 050-38	29	47
5231	09-009 054-77	31	35	5489	09-009 612-56	33	12	201185	09-009 050-38	35	5
5239	09-009 054-13	27	22	5489	09-009 612-56	35	33	201185	09-009 050-38	45	12
5276	09-009 601-09	53	23	5492	09-009 612-57	17	45	201191	09-009 050-43	51	5
5282	09-009 612-36	19	35	5492	09-009 612-57	17	48	201233A	09-009 065-31	51	18
5284	09-009 067-39	21	3	5492	09-009 612-57	17	50	201252	09-009 050-73	57	7
5284	09-009 067-39	21	14	5492	09-009 612-57	31	29	201252	09-009 050-73	55	7
5292	09-009 064-89	9	35	5492	09-009 612-57	33	16	201295	09-009 051-01	43	6
5292	09-009 064-89	15	16	5494	09-009 612-58	27	29	201395	09-009 601-61	39	44
5292	09-009 064-89	15	22	5501	09-009 618-31	17	52	201439A	09-009 612-70	19	9
5292	09-009 064-89	17	28	5501	09-009 618-31	17	55	201439A	09-009 612-70	19	10
5292	09-009 064-89	17	30	5503	09-009 732-59	39	8	201439A	09-009 612-70	23	9
5292	09-009 064-89	19	39	5515	09-009 807-19	47	19	201439A	09-009 612-70	23	12
5292	09-009 064-89	21	10	5519	09-009 732-60	19	15	201635	09-009 051-55	15	31
5292	09-009 064-89	21	21	5519	09-009 732-60	23	15	201880	09-009 813-83	17	12
5292	09-009 064-89	27	27	5522	09-009 732-61	13	25	202045	09-009 050-73	41	49
5292	09-009 064-89	29	19	5523	09-009 732-62	13	23	202045	12-500 190-45	43	63
5292	09-009 064-89	29	56	5526	09-400 072-00	27	7	202058	09-009 601-63	49	25
5292	09-009 064-89	35	30	5534	09-009 807-20	53	27	*202174	09-009 612-71	15	17
5292	09-009 064-89	39	12	5535	09-009 807-21	17	17	*202174	09-009 612-71	15	23
5292	09-009 064-89	39	21	5535	09-009 807-21	17	22	*202174	09-009 612-71	19	47
5299	09-009 067-14	39	27	5543	09-009 807-22	49	18	*202174	09-009 612-71	21	11
5316	09-009 601-16	29	26	5543	09-009 807-22	49	21	*202174	09-009 612-71	21	22
5316	09-009 601-16	35	19	5543	09-009 807-22	49	23	*202175	09-009 601-64	5	6
5317	09-009 601-17	31	18	5543	09-009 807-22	49	27	*202175	09-009 601-64	15	9
5328	09-009 071-11	5	10	5543	09-009 807-22	49	31	*202175	09-009 601-64	15	21
5328	09-009 071-11	13	2	5546	09-009 732-64	19	24	*202175	09-009 601-64	19	42
5328	09-009 071-11	17	41	5546	09-009 732-64	23	25	*202176	26-536 302-03	25	15
5328	09-009 071-11	25	13	5588	09-009 732-65	33	28	*202176	26-536 302-03	45	9
5328	09-009 071-11	33	22	5589	09-009 732-66	9	21	202199	17-518 010-51	41	25
5328	09-009 071-11	39	31	5594	09-009 732-67	35	16	202199	17-518 010-51	43	20
5328	09-009 071-11	39	51	5594	09-009 732-67	35	22	202199	17-518 010-51	43	28
5328	09-009 071-11	39	56	5594	09-009 732-67	35	27	202199	17-518 010-51	43	35
5328	09-009 071-11	47	16	5594	09-009 732-67	37	14	202286	09-009 051-75	19	20
5332A	09-009 813-11	5	28	5594	09-009 732-67	39	14	202286	09-009 051-75	19	25
5345	09-009 070-23	45	11	5595	09-009 732-68	5	13	202286	09-009 051-75	23	22
5346	09-009 068-79	31	9	5596	09-009 732-69	39	16	202286	09-009 051-75	23	26
5346	09-009 068-79	31	47	5597	09-009 732-70	33	25	202286	09-009 051-75	51	13
5357	09-009 067-95	3	11	5597	09-009 732-70	37	20	202287A	09-009 051-76	41	44
5357	09-009 067-95	17	39	7102	09-400 792-00	57	12	202287A	09-009 051-76	43	57
5376	09-009 612-37	11	5	7102	09-400 792-00	55	12	*202295	09-009 066-42	37	25
5376	09-009 612-37	11	7	9029	09-009 734-85	53	2	*202295	09-009 066-42	55	19
5376	09-009 612-37	11	9	9030	09-009 823-63	53	30	*202295	09-009 066-42	92	1
5376	09-009 612-37	11	13	9050	09-009 815-93	53	13	*202295	09-009 066-42	93	1
5376	09-009 612-37	11	20	137108	09-400 096-00	27	9	*202295	09-009 066-42	94	1
5376	09-009 612-37	11	22	137906	09-009 048-42	7	3	*202295	09-009 066-42	95	1
5376	09-009 612-37	11	24	137906	09-009 048-42	9	39	*202295	09-009 066-42	96	1
5376	09-009 612-37	11	28	137906	09-009 048-42	27	39	*202295	09-009 066-42	97	1
5380	09-009 601-47	47	22	167066	09-009 601-53	51	17	*202295	09-009 066-42	98	1
5380	09-009 601-47	53	20	167066	09-009 601-53	51	20	*202295	09-009 066-42	100	1
5408	09-009 070-03	19	37	167066	09-009 601-53	51	27	*202295	09-009 066-42	100	1
5426	09-009 612-38	53	25	*179257-05	91-178 257-05	41	36	*202295	09-009 066-42	101	1
5427	09-009 611-79	29	18	*179257-05	91-178 257-05	43	49	*202295	09-009 066-42	102	1
5434A	08-008 823-62	5	29	192130	09-009 612-66	7	14	202340	09-009 612-73	37	28
5437	09-009 606-28	29	12	198192	09-009 605-10	9	19	202433	09-009 606-23	27	24
5441	09-009 601-52	23	18	200136	09-009 054-86	41	22	202451	09-009 051-81	39	24
5446	09-009 807-18	17	19	200136	09-009 054-86	43	18	202577	09-009 052-61	15	20
5453	09-009 612-40	27	36	200136	09-009 054-86	43	26	202645	09-009 054-98	39	43
5455	09-009 612-41	27	25	200136	09-009 054-86	43	30	202647A	09-009 065-79	39	48
5455	09-009 612-41	31	6	200144	09-009 612-67	43	33	202875	09-009 601-76	7	7
5457	09-009 612-42	11	15	200149	09-009 048-73	5	14	202875			

PART NO.	PFAFF-NO	PAGE	NO. REF.	PART NO.	PFAFF-NO	PAGE	NO. REF.	PART NO.	PFAFF-NO	PAGE	NO. REF.
204084-2	09-009 055-52	29	14	208448	09-009 607-59	23	3	210139	09-009 614-14	29	2
204107	09-009 067-58	23	20	208449	09-009 607-60	17	7	210140	09-009 614-15	29	13
204114	09-009 064-01	31	33	208449	09-009 607-60	19	7	210141A	09-009 807-39	29	22
204115	09-009 064-02	31	22	208449	09-009 607-60	23	7	210143	09-009 614-18	3	31
204115	09-009 064-02	31	34	208450	09-009 607-61	17	5	210144	09-009 614-19	31	2
204115	09-009 064-02	33	11	208450	09-009 607-61	19	5	210145	09-009 614-20	31	4
204115	09-009 064-02	35	34	208450	09-009 607-61	23	5	210146	09-009 614-21	31	5
204128A	09-009 601-83	31	14	208537	09-009 607-73	39	40	210147	09-009 614-22	31	20
204129A	09-009 601-84	31	12	208579	09-009 612-98	37	2	210148	09-009 614-23	31	21
204146	09-009 065-81	15	29	208592	09-009 607-92	19	46	210148	09-009 614-23	33	10
204184	09-009 067-19	43	7	208599	09-009 607-95	39	45	210148	09-009 614-23	35	32
204185	09-009 067-40	29	3	208687	09-009 732-77	43	5	210152	09-009 614-24	31	7
204185	09-009 067-40	41	16	208744	09-009 817-02	9	29	210153	09-009 614-25	31	32
204185	09-009 067-40	43	12	208747	09-009 603-37	9	27	210154	09-009 614-26	31	19
204274	09-009 064-69	21	8	208774	09-009 612-99	39	42	210155	09-009 614-27	31	31
204274	09-009 064-69	21	19	208955A	09-009 809-07	98		210156	09-009 614-28	31	38
204293	09-009 602-07	13	26	209287	09-009 807-38	49	19	210157	09-009 614-29	31	41
204293	09-009 602-07	25	3	210002	09-009 613-02	5	4	210158	09-009 614-30	31	43
204293	09-009 602-07	25	10	210003	09-009 613-03	5	31	210159	09-009 614-31	31	48
204319	09-009 065-97	13	3	210003	09-009 613-03	5	33	210160	09-009 614-32	31	46
204439A	09-009 602-09	31	17	210005	09-009 613-04	5	23	210161	09-009 614-33	29	25
204464	09-009 607-37	45	4	210006	09-009 613-05	7	30	210162	09-009 614-34	29	27
204585	09-009 602-15	49	9	210007	09-009 613-06	7	28	210163	09-009 614-35	29	29
204657	09-009 812-08	19	11	210020	09-009 613-12	7	13	210164	09-009 614-36	3	30
204657	09-009 812-08	19	38	210021	09-009 618-04	7	20	210166	09-009 614-37	29	35
204657	09-009 812-08	23	13	210022	09-009 613-13	7	2	210167	09-009 614-38	29	37
204754A	09-009 814-34	29	31	210022	09-009 613-13	7	26	210167	09-009 614-38	35	6
204756	09-009 068-26	29	33	210023	09-009 613-14	7	22	210168	09-009 614-39	29	40
204757	09-009 068-27	29	34	210024	09-009 613-15	7	5	210170	09-009 614-40	29	41
204873	09-009 605-33	13	4	210025	09-009 613-16	7	8	210171	09-009 614-41	29	45
204881	09-009 605-31	13	1	210025	09-009 613-16	7	12	210171	09-009 614-41	35	3
204888	09-009 602-49	47	23	210025	09-009 613-16	7	27	210172	09-009 614-42	29	51
205015-2	09-009 612-74	27	20	210027-CB	09-009 824-75	7	9	210173	09-009 614-43	11	6
205061	12-640 200-55	27	14	210028-CB	09-009 815-10	9	9	210173	09-009 614-43	11	21
205088	09-009 604-86	5	36	210034-CD	09-009 824-76	9	1	210175	09-009 614-45	37	11
205113A	09-009 820-16	41	23	210035	09-009 613-27	9	4	210180	09-009 614-50	37	23
205418	09-009 612-76	31	16	210036	09-009 613-28	9	5	210183	09-009 614-51	37	29
205466A	09-009 823-66	53	1	210037	09-009 613-29	9	7	210184	09-009 614-52	37	26
205467	09-009 603-76	53	9	210042	09-009 613-31	9	32	*210188	09-009 614-55	43	2
205468-JA	09-009 603-77	53	14	210043	09-009 613-32	9	36	210190	09-009 614-57	41	28
205469-JA	09-009 603-78	53	15	*210044	09-009 613-33	9	44	210190	09-009 614-57	43	39
205470-JA	09-009 815-05	53	11	210045	09-009 613-34	9	42	*210192	09-009 614-59	41	37
205473	09-009 823-67	53	3	210046	09-009 613-35	9	40	*210192	09-009 614-59	43	50
205635	09-009 612-79	43	24	210047	09-009 613-36	9	37	210193	09-009 614-60	41	35
205685	09-009 732-75	9	28	210055	09-009 613-43	13	20	210193	09-009 614-60	43	48
205724	91-179 361-95	5	1	210056	09-009 613-44	13	16	210194	09-009 614-61	41	38
205724	91-179 361-95	9	26	210057	09-009 613-45	3	5	210194	09-009 614-61	43	51
205763	09-009 612-86	43	29	210057	09-009 613-45	13	17	210198	09-009 614-62	41	26
205764	09-009 612-87	53	7	210058	09-009 613-46	13	21	210198	09-009 614-62	43	37
205765	09-009 612-88	53	8	210062	09-009 613-49	13	7	210199	09-009 614-63	41	27
206115	09-009 612-89	27	4	210067	09-009 613-54	3	19	210199	09-009 614-63	43	38
206128-2	09-009 612-90	31	39	210068	09-009 613-55	3	18	210200	09-009 614-64	41	18
206129	09-009 612-91	31	49	210069	09-009 613-56	15	24	210200	09-009 614-64	43	14
206180	09-009 612-92	19	22	210069	09-009 613-56	37	7	210201-CD	09-009 814-80	41	19
206180	09-009 612-92	37	8	210091	09-009 613-72	11	8	210201-FD	09-009 815-71	43	15
206233	09-009 070-13	41	17	210091	09-009 613-72	11	12	210202	09-009 614-66	43	41
206233	09-009 070-13	43	13	210091	09-009 613-72	11	23	210204	09-009 614-68	43	44
206233	09-009 070-13	55	18	210091	09-009 613-72	11	27	210205	09-009 614-80	43	43
206336	09-009 604-60	53	6	210092	09-009 613-73	19	23	210206	09-009 732-79	43	22
206337	09-009 612-93	53	10	210092	09-009 613-73	23	24	210208	09-009 614-71	43	36
206337	09-009 612-93	53	17	210093	09-009 613-74	19	26	210211	09-009 614-73	41	42
206431	09-009 070-62	41	20	210093	09-009 613-74	23	27	210211	09-009 614-73	43	55
206431	09-009 070-62	43	16	210099	09-009 613-78	19	17	210212	09-009 614-74	41	47
*206468	09-009 820-01	41	8	210100	09-009 613-79	19	18	210212	09-009 614-74	43	61
207341-JA	09-009 823-94	49	14	210100	09-009 613-79	31	10	210214	09-009 614-76	45	2
207344-JA	09-009 823-95	49	17	210101	09-009 613-80	3	15	210223	09-009 614-83	9	24
207345-JA	09-009 823-96	49	26	210102	09-009 613-81	3	16	210228-PC	09-009 807-41	11	17
207346	09-009 807-35	49	28	210102	09-009 613-81	3	32	210228-PD	09-009 807-40	11	2
207350-JA	09-009 824-63	49	20	210103	09-009 613-82	19	29	210229	09-009 614-87	11	4
207924	09-400 145-00	39	7	210104	09-009 613-83	21	13	210229	09-009 614-87	11	19
208009	09-009 070-87	9	33	210105-2	09-009 824-77	21	9	210231	09-009 614-89	15	27
208028	09-009 606-17	25	21	210105-2	09-009 824-77	21	20	210232A	09-009 807-42	15	13
208029	09-009 606-18	25	22	*210107	09-009 823-97	21	7	210233	09-009 614-91	3	3
208168	09-009 604-71	31	45	*210107	09-009 823-97	21	18	210234	09-009 614-92	3	2
208173	09-009 604-72	5	30	210109	09-009 613-88	19	36	210235	09-009 614-93	15	8
208173	09-009 604-72	19	40	210110	09-009 613-89	3	17	210236	09-009 614-94	15	11
208194	09-009 606-08	25	11	210112A	09-009 824-64	19	48	210237A-2	09-009 614-95	15	15
208195	09-009 606-09	25	12	210113	09-009 613-92	19	49	210238-2	09-009 614-96	15	10
208196	09-009 606-11	25	16	210114	09-009 613-93	19	43	210239	09-009 614-97	15	1
208235	09-009 606-51	29	24	210115	09-009 613-94	19	44	210240	09-009 614-98	15	2
208235	09-009 606-51	31	40	210117	09-009 613-95	7	32	210241	09-009 614-99	15	4
208235	09-009 606-51	37	16	210118	09-009 613-96	19	41	210242	09-009 615-00	3	4
208245	09-009 612-96	7	23	210124	09-009 614-01	3	24	210264	09-009 615-20	17	13
208411	09-009 607-41	29	8	210125	09-009 614-02	3	25	210267	09-009 615-22	19	21
208415	09-009 607-44	29	9	210127	09-009 614-04	29	15	210270	09-009 615-25	9	31
208447	09-009 607-58	17	2	210129	09-009 614-06	29	16	210273	09-009 615-27	17	23
208447	09-009 607-58	19	2	210130	09-009 614-07	29	17	210273	09-009 615-27	92	
208447	09-009 607-58	23	2	210136	09-009 614-11	29	6	210273	09-009 615-27	93	
208448	09-009 607-59	17	3	210137	09-009 614-12	29	1	210273	09-009 615-27	94	
208448	09-009 607-59	19	3	210138	09-009 614-13	29	4	210273	09-009 615-27	95	

Notice) Parts with mark * are not for sale.

INDEX

PART NO.	PFAFF-NO	PAGE	NO. REF.	PART NO.	PFAFF-NO	PAGE	NO. REF.	PART NO.	PFAFF-NO	PAGE	NO. REF.
210273	09-009 615-27	96		210349	09-009 615-93	19	12	210724	09-009 618-30	99	
210273	09-009 615-27	97		210350	09-009 615-94	19	14	210724	09-009 618-30	100	
210273	09-009 615-27	98		210353	09-009 615-97	23	38	210724	09-009 618-30	101	
210273	09-009 615-27	99		210357	09-009 807-47	25	4	210724	09-009 618-30	102	
210273	09-009 615-27	100		210357	09-009 807-47	92		210725	09-009 618-33	23	31
210273	09-009 615-27	101		210357	09-009 807-47	93		210728	09-009 617-96	39	11
210274	09-009 615-28	17	24	210357	09-009 807-47	94		210731	09-009 618-51	11	14
210274	09-009 615-28	92		210357	09-009 807-47	95		210731	09-009 618-51	11	29
210274	09-009 615-28	93		210357	09-009 807-47	96		210736	09-009 734-90	11	25
210274	09-009 615-28	95		210357	09-009 807-47	97		210744	09-009 618-37	43	32
210274	09-009 615-28	96		210357	09-009 807-47	98		210750	09-009 618-26	17	31
210274	09-009 615-28	97		210357	09-009 807-47	99		210751	09-009 618-49	17	32
210274	09-009 615-28	98		210357	09-009 807-47	100		*210766	09-009 823-85	45	5
210274	09-009 615-28	99		210357	09-009 807-47	101		210837	09-009 620-00	94	
210274	09-009 615-28	100		210357	09-009 807-47	102		210837	09-009 620-00	96	
210274	09-009 615-28	101		210357-HC	09-009 807-48	25	25	210837	09-009 620-00	99	
210275A	09-009 615-29	17	46	210366	09-009 620-33	92		210838	09-009 620-01	94	
210275A	09-009 615-29	92		210366	09-009 620-33	94		210838	09-009 620-01	96	
210275A	09-009 615-29	93		210366	09-009 620-33	99		210838	09-009 620-01	99	
210275A	09-009 615-29	94		210367	09-009 620-34	93		210839	09-009 620-02	94	
210275A	09-009 615-29	95		210367	09-009 620-34	95		210839	09-009 620-02	96	
210275A	09-009 615-29	96		210367	09-009 620-34	96		210839	09-009 620-02	99	
210275A	09-009 615-29	97		210367	09-009 620-34	100		210840	09-009 620-03	94	
210275A	09-009 615-29	98		210367	09-009 620-34	101		210840	09-009 620-03	99	
210275A	09-009 615-29	99		210494A16	09-009 807-50	97		210845	09-009 620-08	94	
210275A	09-009 615-29	100		210494A16	09-009 807-50	98		210845	09-009 620-08	95	
210275A	09-009 615-29	101		210497A16	09-009 807-51	97		210845	09-009 620-08	99	
210276	09-009 615-30	17	49	210500A16	09-009 807-71	97		210845	09-009 620-08	100	
210277	09-009 615-31	17	42	210500A16	09-009 807-71	98		210846	09-009 620-09	94	
210278	09-009 615-32	17	40	210510	09-009 617-04	41	39	210846	09-009 620-09	95	
210278	09-009 615-32	92		210510	09-009 617-04	43	52	210846	09-009 620-09	99	
210278	09-009 615-32	93		210511	09-009 617-05	15	25	210846	09-009 620-09	100	
210278	09-009 615-32	94		210514	09-009 620-35	93		210847	09-009 620-10	94	
210278	09-009 615-32	95		210514	09-009 620-35	95		210847	09-009 620-10	95	
210278	09-009 615-32	96		210514	09-009 620-35	96		210847	09-009 620-10	99	
210278	09-009 615-32	97		210514	09-009 620-35	100		210847	09-009 620-10	100	
210278	09-009 615-32	98		210514	09-009 620-35	101		210851	09-009 620-14	99	
210278	09-009 615-32	99		210515	09-009 621-60	92		210851	09-009 620-14	100	
210278	09-009 615-32	100		210515	09-009 621-60	94		210852	09-009 620-15	99	
210278	09-009 615-32	101		210515	09-009 621-60	99		210852	09-009 620-15	100	
210278	09-009 615-32	102		210517	09-009 617-09	39	38	210859	09-009 620-20	95	
210279	09-009 615-33	17	44	210520	09-009 617-12	41	50	210859	09-009 620-20	96	
210279	09-009 615-33	92		210520	09-009 617-12	43	58	210859	09-009 620-20	100	
210279	09-009 615-33	93		210521	09-009 617-13	41	45	210859	09-009 620-20	101	
210279	09-009 615-33	94		210521	09-009 617-13	43	59	210860	09-009 620-21	95	
210279	09-009 615-33	95		210523	09-009 617-14	53	4	210860	09-009 620-21	96	
210279	09-009 615-33	96		210528	09-009 617-16	5	15	210860	09-009 620-21	100	
210279	09-009 615-33	97		210529-BA	09-009 812-91	17	1	210860	09-009 620-21	101	
210279	09-009 615-33	98		210530-BA	09-009 812-90	17	9	210861	09-009 620-22	95	
210279	09-009 615-33	99		210530-BA	09-009 812-90	23	1	210861	09-009 620-22	96	
210279	09-009 615-33	100		210531-BA	09-009 812-92	19	1	210861	09-009 620-22	100	
210279	09-009 615-33	101		210532	09-009 617-20	29	55	210861	09-009 620-22	101	
210279	09-009 615-33	102		210533	09-009 617-21	29	54	210865	09-009 620-26	96	
210281	09-009 615-35	23	19	210534	09-009 617-22	29	52	210865	09-009 620-26	100	
210282A	09-009 823-83	29	20	210535	09-009 617-23	29	50	210865	09-009 620-26	101	
210283	09-009 615-37	27	21	210539	09-009 617-25	45	10	210866	09-009 620-27	96	
210284	09-009 615-38	27	19	210579A16	09-009 807-72	94		210866	09-009 620-27	100	
210285	09-009 615-39	27	23	210579A16	09-009 807-72	96		210866	09-009 620-27	101	
210287	09-009 615-40	27	17	210581A16	09-009 807-73	94		210883	09-009 618-42	7	1
210288	09-009 615-41	25	18	210581A16	09-009 807-73	95		210885	09-009 618-24	7	17
210289	09-009 615-42	25	20	210581A16	09-009 807-73	96		210898	09-009 618-27	17	56
210292	09-009 615-45	3	28	210582	09-009 606-76	95		210922	09-009 819-06	17	54
210293	09-009 615-46	27	15	210585	09-009 617-43	19	27	210923	09-009 618-28	17	57
210294	09-009 615-47	25	8	210585	09-009 617-43	23	29	210928A91	09-009 823-87	21	12
210296	09-009 615-48	3	26	*210586	09-009 617-44	23	30	210929A91	09-009 824-88	21	1
210297	09-009 615-49	3	21	*210586	09-009 617-44	25	17	210930	09-009 618-32	17	53
210297	09-009 615-49	3	27	210679	09-009 617-74	5	26	210955	09-009 618-77	47	37
210298	09-009 615-50	25	1	210679	09-009 617-74	5	35	211300	09-009 732-85	7	4
210299	09-009 615-51	25	6	210680	09-009 617-75	51	2	211301	12-305 174-15	29	39
210300	09-009 615-52	27	26	210681	09-009 617-76	51	3	211301	12-305 174-15	35	8
210302	09-009 615-53	27	31	210682	09-009 617-77	51	7	*211313	09-009 820-19	9	52
210303	09-009 615-54	27	33	210683	09-009 617-78	47	33	211314	09-009 732-87	29	48
210304	09-009 615-55	27	28	210683	09-009 617-78	51	9	211345ABD	09-009 824-89	13	22
210306	09-009 615-56	27	37	210684	09-009 617-79	47	31	211366A	09-009 823-82	98	
210307	09-009 615-57	27	30	210684	09-009 617-79	51	10	211369	09-009 732-97	41	29
210308	09-009 615-58	27	35	210685	09-009 617-80	51	1	211369	09-009 732-97	43	40
210309	09-009 615-59	27	1	210686	09-009 617-81	51	14	211385	09-009 732-98	3	10
210310	09-009 615-60	27	3	210687	09-009 617-82	51	15	211386	09-009 732-99	27	5
210311	09-009 615-61	27	40	210700	09-009 617-93	29	43	211387	09-009 733-00	27	10
210314	09-009 615-64	37	9	210701	09-009 732-83	43	21	211388	91-179 419-05	27	8
210315B	09-009 615-65	37	3	210719		100		211389-CD	09-009 823-82	5	9
210316	09-009 615-66	37	21	210721	09-009 618-55	19	51	211392	09-009 733-04	17	38
210317	09-009 615-67	45	1	210724	09-009 618-30	17	51	211401	09-009 734-97	23	39
210319	09-009 615-68	17	6	210724	09-009 618-30	92		211517	09-009 735-07	39	57
210319	09-009 615-68	19	6	210724	09-009 618-30	93		211526	09-009 733-09	13	14
210319	09-009 615-68	23	6	210724	09-009 618-30	94		211527	09-009 733-10	13	10
210323	09-009 615-71	39	20	210724	09-009 618-30	95		*211528	09-009 733-11	13	18
210328	09-009 615-75	33	2	210724	09-009 618-30	96		211529	09-009 733-12	13	15
210335	09-009 615-80	39	4	210724	09-009 618-30	97		211530	09-009 733-13	13	12
210343	09-009 615-87	31	24	210724	09-009 618-30	98		211531	09-009 733-14	41	3

Notice) Parts with mark * are not for sale.

INDEX

PART NO.	PFAFF-NO	PAGE	NO. REF.	PART NO.	PFAFF-NO	PAGE	NO. REF.	PART NO.	PFAFF-NO	PAGE	NO. REF.
211531	09-009 733-14	43	3	212056A	09-009 807-85	97	1	212548-30	09-009 808-15	93	1
211533	09-009 733-15	3	14	212062	09-009 733-91	39	50	212548-30	09-009 808-15	97	1
211573	09-009 801-29	17	25	212063	09-009 733-92	39	52	212548-40	09-009 808-16	92	1
211573	09-009 801-29	102		212064-BF	09-009 807-88	97		212548-40	09-009 808-16	93	1
211577	09-009 801-30	17	26	212064-BF	09-009 807-88	98		212548-40	09-009 808-16	97	1
211577	09-009 801-30	102		212064A13F	09-009 807-86	97		212548-50	09-009 804-48	92	1
211578	09-009 823-83	17	47	212064B13F	09-009 807-87	97		212548-50	09-009 804-48	93	1
211578	09-009 823-83	102		212140	09-009 734-05	33	33	212548-50	09-009 804-48	97	1
211580	09-009 803-77	9	47	212143	09-009 734-06	33	34	212551-50	09-009 808-17	92	1
211581	09-009 803-78	23	10	212144	09-009 734-07	33	8	212551-50	09-009 808-17	93	1
211636	09-009 733-16	39	1	212145	09-009 734-08	33	7	212551-50	09-009 808-17	97	1
211639	09-009 733-18	45	7	212146	09-009 734-09	33	35	212551-60	09-009 808-18	92	1
211649	09-009 733-19	15	36	212147	09-009 734-10	33	36	212551-60	09-009 808-18	93	1
211653	09-009 733-22	11	10	212148	09-009 734-11	43	1	212551-60	09-009 808-18	97	1
*211654-T	09-009 824-65	21	5	*212149	09-009 734-12	43	9	212600	09-009 808-23	47	13
*211654-T	09-009 824-65	21	16	212152	09-009 734-13	41	32	212601	09-009 808-24	47	21
211655	09-009 733-24	21	2	212152	09-009 734-13	43	45	212602	09-009 808-25	47	29
211657	09-009 733-25	39	47	212153	09-009 734-14	41	33	212603	09-009 808-26	47	34
211700	09-009 733-29	9	46	212153	09-009 734-14	43	46	212604	09-009 808-27	47	25
211719	09-009 733-31	92		212154	09-009 734-15	3	20	212606	09-009 806-39	47	27
211719	09-009 733-31	93		212179	09-009 734-32	29	57	212607	09-009 808-28	47	28
211719	09-009 733-31	94		*212186	09-009 734-34	15	5	212609-91	09-009 808-29	9	17
211719	09-009 733-31	95		212188	09-009 734-35	41	30	212634	09-009 808-30	41	41
211719	09-009 733-31	96		212188	09-009 734-35	43	42	212634	09-009 808-30	43	54
211719	09-009 733-31	97		212215	09-009 802-28	92		212644	09-009 804-51	92	
211719	09-009 733-31	98		212215	09-009 802-28	93		212644	09-009 804-51	93	
211719	09-009 733-31	99		212215	09-009 802-28	94		212644	09-009 804-51	94	
211719	09-009 733-31	101		212215	09-009 802-28	95		212644	09-009 804-51	95	
211719	09-009 733-31	102		212215	09-009 802-28	96		212644	09-009 804-51	96	
211799-CD	09-009 813-16	9	49	212215	09-009 802-28	97		212644	09-009 804-51	98	
211800	09-009 804-39	9	50	212215	09-009 802-28	99		212644	09-009 804-51	99	
211801	09-009 804-37	9	51	212215	09-009 802-28	100		212644	09-009 804-51	100	
211802A	09-009 823-89	29	10	212215	09-009 802-28	101		212644	09-009 804-51	101	
211804	09-009 733-33	29	11	212215	09-009 802-28	102		212646	09-009 808-32	35	21
211823	09-009 733-34	39	19	*212281A	09-009 824-91	5	34	212650	09-009 804-52	35	31
211844	09-009 733-36	102		212287	09-009 734-37	51	21	212651	09-009 808-33	35	18
211845	09-009 733-37	92		*212329-CD	09-009 823-69	3	13	212652	09-009 804-53	35	15
211845	09-009 733-37	93		212400	09-009 734-38	33	13	212653	09-009 808-34	35	24
211845	09-009 733-37	94		212404	09-009 734-39	33	23	212654	09-009 808-35	27	12
211845	09-009 733-37	95		212405	09-009 734-40	33	26	212655	09-009 808-36	47	1
211845	09-009 733-37	96		212408	09-009 734-42	37	13	212655A91	09-009 824-01	47	2
211845	09-009 733-37	97		212409	09-009 734-43	37	17	212657A	09-009 808-37	11	16
211845	09-009 733-37	98		212410	09-009 734-44	37	19	212658	09-009 804-56	47	40
211845	09-009 733-37	99		212412A	09-009 807-93	15	14	212658A	09-009 824-02	47	45
211845	09-009 733-37	101		212413	09-009 734-47	15	19	212659	09-009 806-38	47	35
211879	09-009 733-40	51	23	212416	09-009 734-48	35	1	212660	09-009 808-39	47	38
211880	09-009 733-41	47	46	212419	09-009 734-51	35	11	212661-10F	09-009 804-57	92	
211880	09-009 733-41	51	24	212420	09-009 734-52	39	22	212661-10F	09-009 804-57	93	
211926-T	09-009 824-67	21	4	212430	09-009 807-94	47	14	212661-10F	09-009 804-57	99	
211926-T	09-009 824-67	21	15	212431	09-009 807-95	47	18	212661-10F	09-009 804-57	100	
*211941	09-009 733-46	39	41	212432	09-009 807-96	47	17	212661-10F	09-009 804-57	101	
211946	09-009 733-47	47	47	212433	09-009 807-97	47	3	212661-10F	09-009 804-57	102	
211946	09-009 733-47	51	25	212434	09-009 804-43	47	11	212662-30	09-009 808-40	92	
211949	09-009 733-48	47	49	212435	09-009 804-44	47	10	212662-30	09-009 808-40	93	
211958	09-009 733-49	9	23	212436	09-009 806-84	47	7	212662-30	09-009 808-40	101	
211959-BD	09-009 813-18	9	20	212436	09-009 806-84	49	10	212662-40	09-009 808-41	92	
211995	09-009 735-12	19	34	212437	09-009 807-98	47	5	212662-40	09-009 808-41	93	
*212000-CD	09-009 823-91	3	12	212438	09-009 734-53	39	26	212662-40	09-009 808-41	101	
212001-CD	09-009 823-92	3	1	212439	09-009 734-54	39	28	212662-50	09-009 804-58	92	
212004ACD	09-009 824-90	5	8	212440	09-009 734-55	33	1	212662-50	09-009 804-58	93	
212005	09-009 733-54	9	15	212441	09-009 807-99	53	18	212662-50	09-009 804-58	101	
212006	09-009 733-55	9	13	212442	09-009 808-01	53	19	212662-60	09-009 824-82	92	
212007	09-009 733-56	5	16	212443	09-009 808-02	53	22	212665-50	09-009 808-42	92	
212008	09-009 733-57	5	19	212444	09-009 808-03	53	26	212665-50	09-009 808-42	93	
212009	09-009 733-58	9	11	212445	09-009 734-56	33	30	212665-50	09-009 808-42	101	
212010-CD	09-009 813-15	5	20	212446	09-009 734-57	33	31	212665-60	09-009 805-30	92	
212011	09-009 733-60	5	21	212447	09-009 734-58	33	27	212665-60	09-009 805-30	93	
212015	09-009 733-61	33	24	212448	09-009 734-59	33	14	212665-60	09-009 805-30	101	
212019	09-009 733-62	33	19	212449	09-009 734-60	33	15	212668	09-009 804-59	39	35
212020	09-009 733-63	33	21	*212477	09-009 808-04	47	8	212669	09-009 804-60	39	32
212021	09-009 733-64	33	6	212478	09-009 808-05	49	1	212670A	09-009 804-61	11	1
212025	09-009 733-65	33	3	212479	09-009 806-33	49	2	212681	09-009 804-66	17	33
212026	09-009 733-66	33	5	212480	09-009 806-90	49	3	212682-30	09-009 808-49	92	
212028	09-009 733-67	31	1	212481	09-009 806-80	49	4	212682-30	09-009 808-49	93	
212035	09-009 733-71	35	26	212482	09-009 808-06	49	5	212682-30	09-009 808-49	97	
212036	09-009 733-72	33	9	212483	09-009 808-07	49	7	212682-30	09-009 808-49	101	
212037	09-009 733-73	3	22	212484	09-009 808-08	49	11	212682-40	09-009 808-48	92	
212038	09-009 733-74	3	23	212485	09-009 808-09	49	16	212682-40	09-009 808-48	93	
212039	09-000 152-00	35	29	212486	09-009 806-34	49	22	212682-40	09-009 808-48	97	
212042	09-009 733-78	35	10	212487	09-009 808-10	49	13	212682-40	09-009 808-48	101	
212047	09-009 733-80	39	17	*212489ACD	09-009 823-70	5	7	212682-50	09-009 804-67	92	
212048	09-009 733-81	3	7	212492	09-009 808-11	49	29	212682-50	09-009 804-67	93	
212049	09-009 733-82	39	18	212493-JA	09-009 823-71	49	30	212682-50	09-009 804-67	97	
212050	09-009 733-83	39	5	212502	09-009 804-45	23	37	212682-50	09-009 804-67	101	
212052	09-009 733-85	39	13	212504	09-009 804-32	17	34	212683-50	09-009 808-50	92	
212053	09-009 733-86	97		212545-30	09-009 808-13	92		212683-50	09-009 808-50	93	
212053	09-009 733-86	98		212545-40	09-009 808-14	92		212683-50	09-009 808-50	97	
212053A	09-009 807-84	97		212545-50	09-009 804-47	92		212683-50	09-009 808-50	101	
212056	09-009 733-87	97		212545-60	09-009 824-92	92		212683-60	09-009 805-31	92	
212056	09-009 733-87	98		212548-30	09-009 808-15	92		212683-60	09-009 805-31	93	

Notice) Parts with mark * are not for sale.

INDEX

PART NO.	PFAFF-NO	PAGE	NO. REF.	PART NO.	PFAFF-NO	PAGE	NO. REF.	PART NO.	PFAFF-NO	PAGE	NO. REF.
212683-60	09-009 805-31	97		212924-20	09-009 820-59	95					
212683-60	09-009 805-31	101		212931-50	09-009 824-84	96					
212684-16	09-009 804-69	92		212931-60	09-009 824-84	96					
212684-16	09-009 804-69	93		212933-10F	09-009 824-79	96					
212684-16	09-009 804-69	97		212938	09-009 824-05	47	42				
212684-16	09-009 804-69	98		212939	09-009 824-06	47	43				
212684-16	09-009 804-69	101		212964-30	09-009 824-07	102					
212686-13F	09-009 804-71	92		212964-40	09-009 824-07	102					
212686-13F	09-009 804-71	93		212965-30	09-009 824-08	102					
212686-13F	09-009 804-71	95		212965-40	09-009 824-08	102					
212686-13F	09-009 804-71	96		212968-13F	09-009 824-09	102					
212686-13F	09-009 804-71	100		212969-13F	09-009 824-10	102					
212686-13F	09-009 804-71	101		212970-30	09-009 824-11	102					
212687-13F	09-009 804-72	92		212970-40	09-009 824-11	102					
212687-13F	09-009 804-72	93		212971-30	09-009 824-12	102					
212687-13F	09-009 804-72	96		212971-40	09-009 824-12	102					
212687-13F	09-009 804-72	100		212972A91	09-009 820-02	41	1				
212687-13F	09-009 804-72	101		*212976	09-009 820-03	41	2				
212699-13F	09-009 808-51	98		212978-91	09-009 820-04	41	5				
212700-50	09-009 808-52	98		*212979	09-009 820-05	41	6				
212700-60	09-009 808-53	98		*212980	09-009 820-06	41	7				
212701-50	09-009 808-54	98		212981	09-009 820-07	41	9				
212701-60	09-009 808-55	98		212983-91	09-009 820-08	41	10				
212701-70	09-009 808-56	98		212987	09-009 820-09	13	11				
212702-50	09-009 808-57	98		212994-25	09-009 823-72	95					
212702-60	09-009 808-58	98		212995	09-009 823-73	17	27				
212702-70	09-009 808-59	98		212998	09-009 823-74	41	31				
212705	09-009 808-60	39	49	213222A	09-009 823-75	37	1				
212719	09-009 806-44	39	37	213526-50	09-009 823-76	95					
212721	09-009 804-75	17	18	213526-60	09-009 823-76	95					
212722A	09-009 808-62	17	21	213526-70	09-009 823-76	95					
212723A	09-009 808-64	17	16	213551	09-009 824-78	95					
212724	09-009 804-76	17	20	213578A	09-009 823-78	41	11				
212725	09-009 804-77	17	15	213579	09-009 823-79	41	12				
212726	09-009 804-78	23	35	*230047	09-400 154-00	5	25				
212727	09-009 806-47	23	17	240052	91-179 447-05	5	5				
212728	09-009 806-89	19	30	240102	09-400 167-00	13	6				
212741-40	09-009 808-78	93		240102	09-400 167-00	23	23				
212743-50	09-009 808-79	93		240102	09-400 167-00	27	13				
212745-10F	09-009 808-80	93		240148	09-009 813-80	15	18				
212745A10F	09-009 808-81	93		240172	09-009 814-64	39	10				
212753-16	09-009 804-79	92		240178	09-009 823-80	45	6				
212755-13F	09-009 804-80	92		252005	09-400 245-00	3	29				
212755-13F	09-009 804-80	94		252531	09-400 264-00	35	20				
212755-13F	09-009 804-80	96		303067	12-501 170-45	53	24				
212755-13F	09-009 804-80	99		303487	09-009 734-75	41	34				
212756-13F	09-009 806-78	92		303487	09-009 734-75	43	47				
212756-13F	09-009 806-78	93		307003	09-009 734-76	33	29				
212756-13F	09-009 806-78	94		307003	09-009 734-76	35	17				
212756-13F	09-009 806-78	95		307003	09-009 734-76	35	23				
212756-13F	09-009 806-78	99		307003	09-009 734-76	35	28				
212756-13F	09-009 806-78	100		307003	09-009 734-76	37	15				
212769-30	09-009 808-96	94		307003	09-009 734-76	39	15				
212769-30	09-009 808-96	95		9A3001	09-009 807-24	5	2				
212769-30	09-009 808-96	96		9A3002	09-009 814-81	41	51				
212769-40	09-009 808-97	94									
212769-40	09-009 808-97	95									
212769-40	09-009 808-97	96									
212769-50	09-009 808-98	94									
212769-50	09-009 808-98	95									
212769-50	09-009 808-98	96									
212769-60	09-009 824-83	94									
212773-10F	09-009 806-82	94									
212773-10F	09-009 806-82	95									
212773-10F	09-009 806-82	96									
212785	09-009 804-83	15	33								
212786-91	09-009 804-84	15	34								
212905-30	09-009 811-73	99									
212905-30	09-009 811-73	100									
212905-30	09-009 811-73	101									
212905-40	09-009 811-74	99									
212905-40	09-009 811-74	100									
212905-40	09-009 811-74	101									
212905-50	09-009 811-75	99									
212905-50	09-009 811-75	100									
212905-50	09-009 811-75	101									
212905-60	09-009 811-76	99									
212910-50	09-009 811-77	99									
212910-50	09-009 811-77	100									
212910-50	09-009 811-77	101									
212910-60	09-009 811-78	99									
212910-60	09-009 811-78	100									
212910-60	09-009 811-78	101									
212914-16	09-009 811-71	99									
212914-16	09-009 811-71	102									
212916-16	09-009 811-72	99									
212916-16	09-009 811-72	100									
212916-16	09-009 811-72	101									
212916-16	09-009 811-72	102									
212923	09-009 820-58	39	59								

Notice) Parts with mark * are not for sale.

PFAFF

**G.M. PFAFF
Aktiengesellschaft**

Postfach 3020
D-67653 Kaiserslautern

Königstr. 154
D-67655 Kaiserslautern

Telefon: (0631) 200-0
Telefax: (0631) 172 02
Telex: 45753 PFAFF D

Gedruckt in der BRD
Printed in Germany
Imprimé en R.F.A.
Impreso en la R.F.A.