

Teileliste und Näheinrichtungen  
Spare Parts List and Sewing Equipment

**550 - 767**

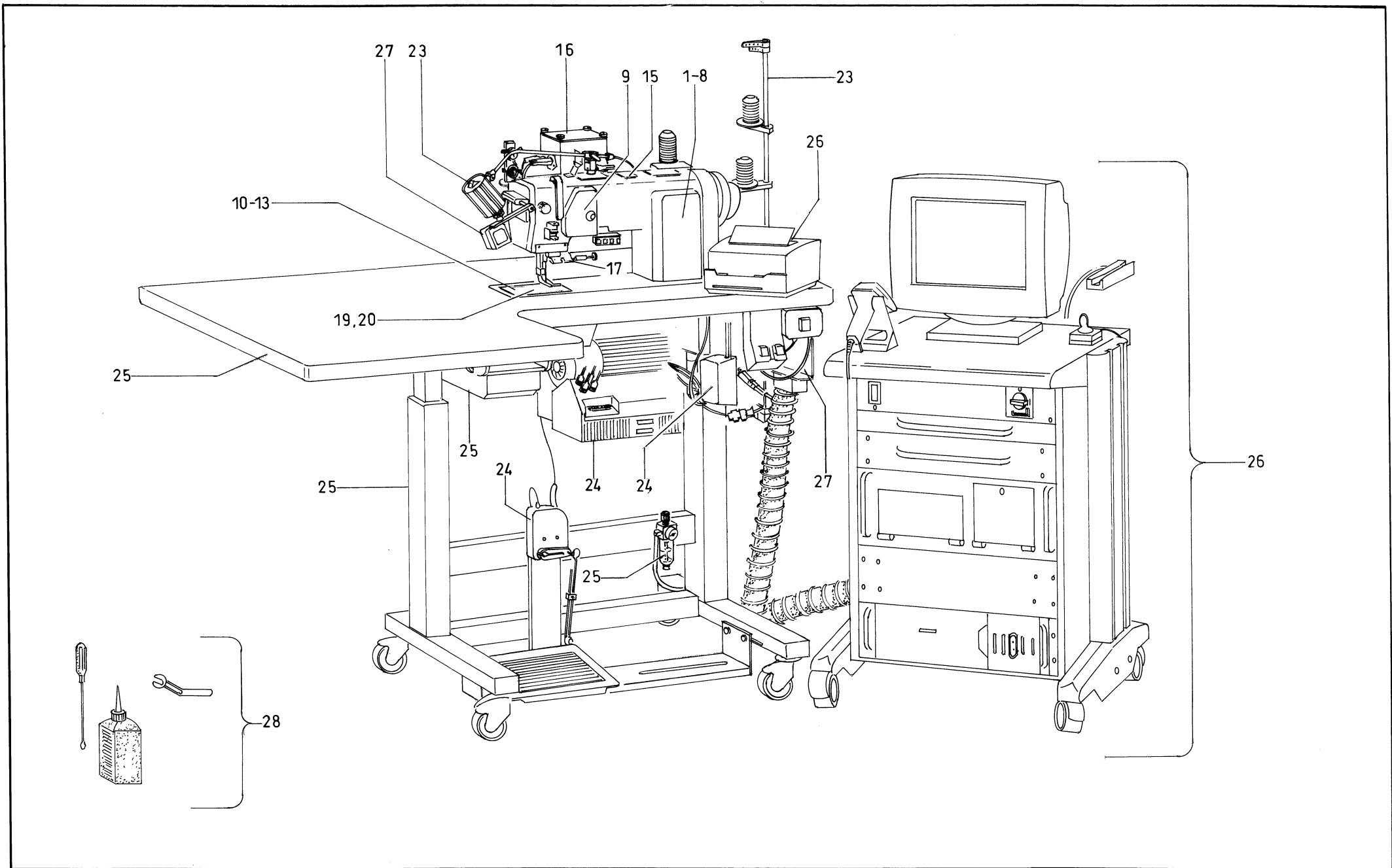
**DÜRKOPPADLER AG**

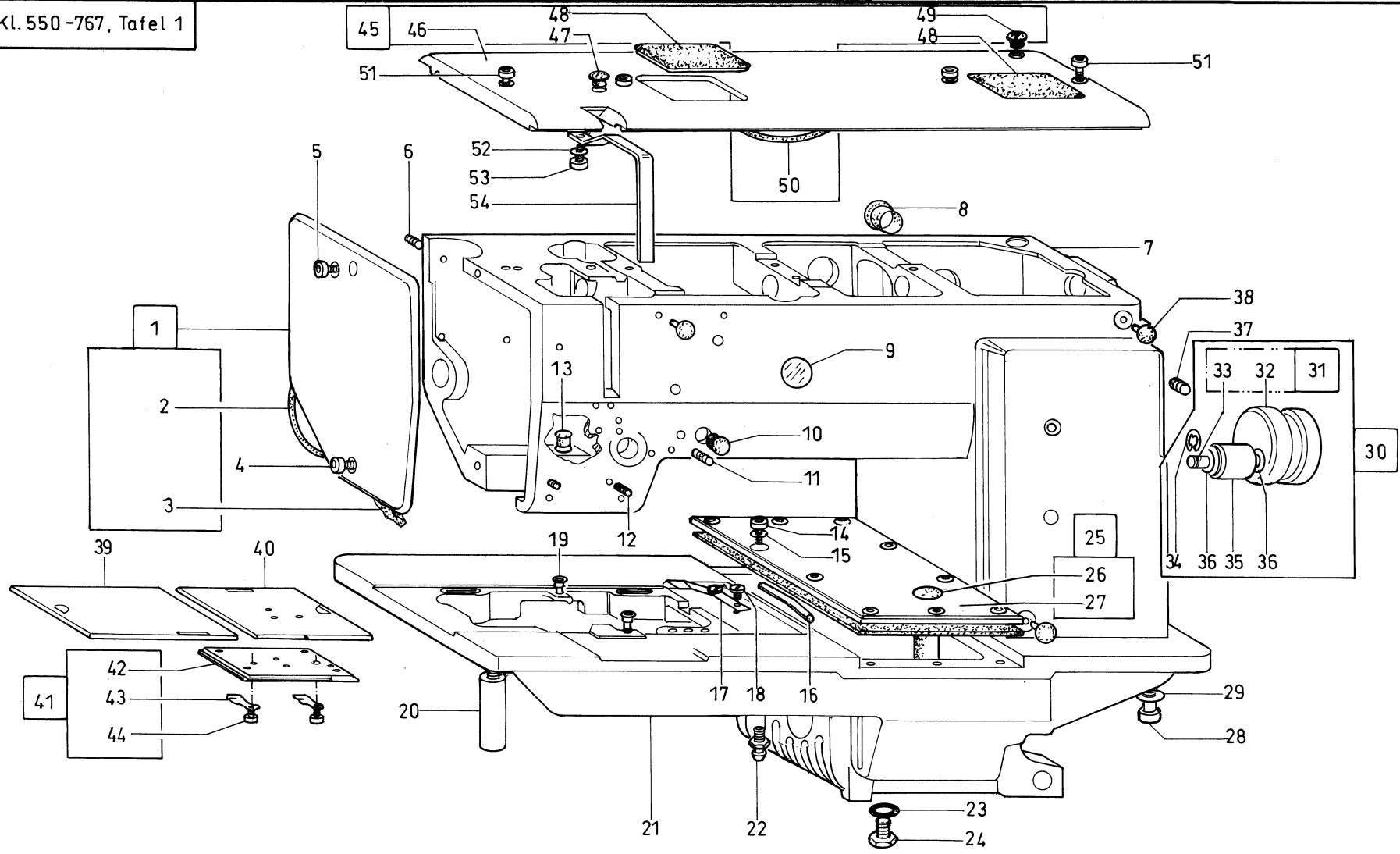
---

Postfach 17 03 51, D-33703 Bielefeld • Potsdamer Straße 190, D-33719 Bielefeld  
Telefon (05 21) 9 25-0 • Telefax (05 21) 9 25 24 35

# 550 - 767

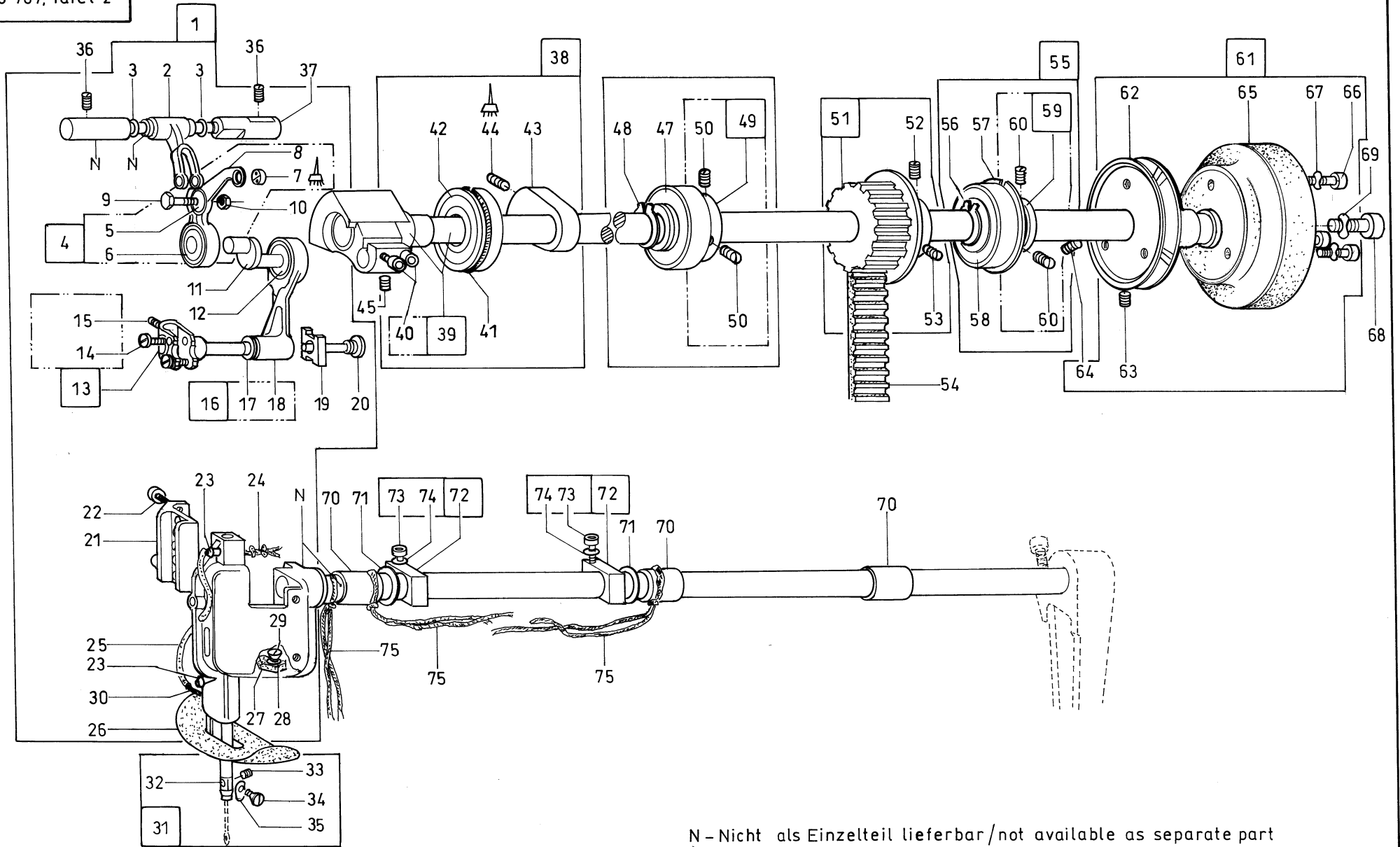
| <b>Inhaltsverzeichnis</b>  | <b>Tafel / Table</b>           | <b>Contens</b>              |
|----------------------------|--------------------------------|-----------------------------|
| Oberteil                   | 1 - 8                          | Machine head                |
| Fadenführung/Fadenspannung | 9                              | Thread guide/Thread tension |
| Greiferlager               | 10 - 12                        | Hook bearing                |
| Greifer                    | 13                             | Hook                        |
| Oelplan                    | 14                             | Oil plan                    |
| Lüftung                    | 15                             | Ventilation                 |
| Spuler                     | 16                             | Winder                      |
| Nähgutanschlag             | 17                             | Fabric stop                 |
| Elektroteile               | 18                             | Electroparts                |
| Restfadenwächter RFW       | 19 - 20                        | Remaining thread monitor    |
| RAP 550-767                | 21                             | RAP 550-767                 |
| Verteilung                 | 22                             | Distribution                |
| Leuchte / Garnständer      | 23                             | Sewing lamp / Yarn Stand    |
| Nähantrieb                 | 24                             | Sewing drive                |
| Gestell                    | 25                             | Stand                       |
| PC-System                  | 26                             | Pc-System                   |
| Scanner                    | 27                             | Scanner                     |
| Beipack                    | 28                             | Accessories                 |
| Näheinrichtungen           | Siehe Anhang!<br>See appendix! | Sewing equipment            |
| Pläne                      |                                | Plans                       |





| Pos. | Teile-Nr.   | Benennung              | Denomination            |
|------|-------------|------------------------|-------------------------|
|      |             | OBERTEIL               | MACHINE HEAD            |
| 1    | 0467 100353 | Kopfdeckel             | face cover              |
| 1    |             | (Mit Pos. 2,3)         | (with pos. 2,3)         |
| 2    | 0699 989250 | Rundschnur             | bar                     |
| 3    | 0467 100400 | Oelkissen              | oil pillow              |
| 4    | 9202 042508 | Zyl. Schr.             | cyl. screw              |
| 5    | 9202 042488 | Zyl. Schr.             | cyl. screw              |
| 6    | 9205 102468 | Gew.Stift              | stud                    |
| 7    | 0767 100110 | Arm                    | arm                     |
| 8    | 0990 240165 | Schutzstopfen          | cap                     |
| 9    | 0367 310180 | Schauglas              | inspection glass        |
| 10   | 0990 240181 | Verschl. Stopfen       | cap                     |
| 11   | 9205 101868 | Gew. Stift             | stud                    |
| 12   | 9205 102158 | Gew. Stift             | stud                    |
| 13   | 0990 240164 | Verschl.Stopfen        | cap                     |
| 14   | 9202 042488 | Zyl. Schr.             | cyl.screw               |
| 15   | 0396 140050 | Dichtscheibe           | gasket                  |
| 16   | 0296 001543 | Lueftungsrohr V        | lifting pipe cpl.       |
| 17   | 0067 001560 | Sperrfeder             | drag spring             |
| 18   | 0992 023677 | Li. Zyl. Schraube      | fillister had screw     |
| 19   | 0992 023890 | Senkschraube           | sunk screw              |
| 20   | 0367 140100 | Fuss                   | foot                    |
| 21   | 0767 140040 | Grundplatte            | bed plate               |
| 22   | 0367 160320 | Nippel                 | nipple                  |
| 23   | 9792 301010 | Dichtring              | gasket ring             |
| 24   | 0995 110210 | Verschl. Schraube      | plug                    |
| 25   | 0767 140014 | Deckel K               | cover cpl.              |
| 25   |             | (Mit Pos. 26,27)       | (with pos. 26,27)       |
| 26   | 0367 140020 | Deckel                 | cover                   |
| 27   | 0367 140040 | Oelanzeiger            | oil control             |
| 28   | 9202 003738 | Zyl. Schraube          | cyl. screw              |
| 29   | 0971 430190 | Scheibe                | washer                  |
| 30   | 0767 150144 | Spannrolle K           | belt tensioner cpl.     |
| 30   |             | (Mit Pos. 31,34,35,36) | (with pos. 31,34,35,36) |
| 31   | 0767 150143 | Spannrolle v           | belt tensioner cpl      |
| 32   | 0767 150140 | Spannrollenlager       | belt tensioner bearing  |

| Pos. | Teile-Nr.   | Benennung        | Denomination      |
|------|-------------|------------------|-------------------|
| 33   | 0767 150150 | Bolzen           | bolt              |
| 34   | 9357 000090 | Sich. Scheibe    | circlip           |
| 35   | 0296 150013 | Lager V          | bearing cpl.      |
| 36   | 0053 000350 | Scheibe          | washer            |
| 37   | 9205 102798 | Gew. Stift       | stud              |
| 38   | 0767 100010 | Stopfen          | cap               |
| 39   | 0367 142070 | Schieber         | slide             |
| 40   | 0367 140090 | Schieber         | slide             |
| 41   | 0367 140064 | App. Schieber K. | attachment slide  |
| 41   |             | (Mit Pos. 42-44) | (with pos. 42-44) |
| 42   | 0367 140060 | Schieber         | slide             |
| 43   | 0367 140070 | Blattfeder       | leaf spring       |
| 44   | 9203 001807 | Zyl. Schr.       | cyl. screw        |
| 45   | 0767 100124 | Armdeckel K      | arm cover cpl.    |
| 45   |             | (Mit Pos. 46-50) | (with pos. 46-50) |
| 46   | 0767 100123 | Armdeckel        | arm cover         |
| 47   | 0170 100030 | Schutzstopfen    | gasket            |
| 48   | 0367 100510 | Abdeckung        | cover             |
| 49   | 9840 136002 | Verschl. Stopfen | plug              |
| 50   | 0699 989250 | Rundschnur       | bar               |
| 51   | 9202 042488 | Zyl. Schr.       | cyl.screw         |
| 52   | 9330 000087 | Scheibe          | washer            |
| 53   | 9202 002067 | Zyl. Schr.       | cyl.screw         |
| 54   | 0467 100010 | Fadenh. Schutz   | protector         |



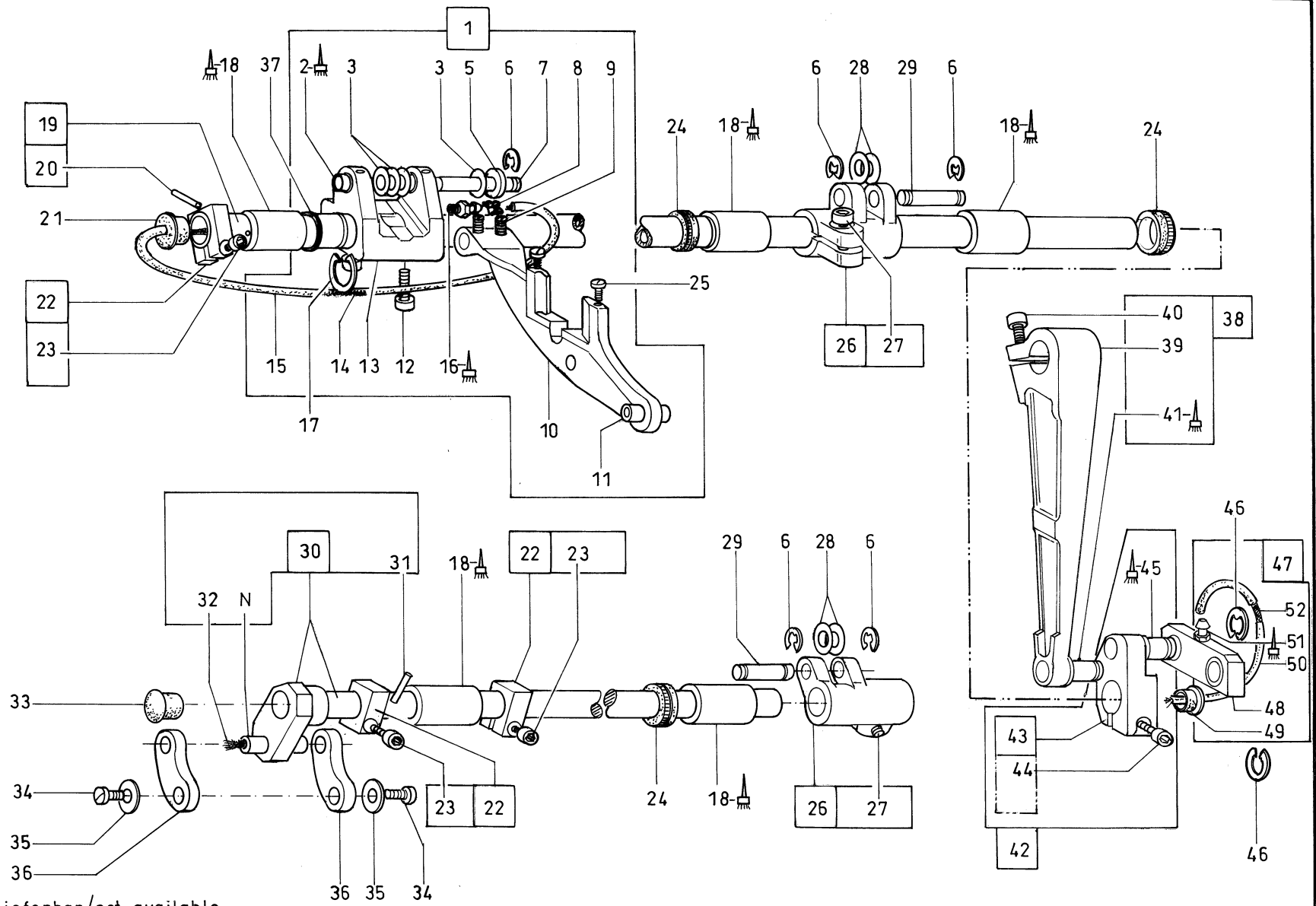
| Pos. | Teile-Nr.   | Benennung                                      | Denomination   |
|------|-------------|--|--|
|      |             | OBERTEIL                                       | MACHINE HEAD   |
| 1    | 0767 120014 | Schwinge K<br>(Mit Pos. 2-4, 10-13, 16, 19-30) | oscillator cpl.<br>(with pos. 2-4, 10-13, 16, 19-30) |
| 2    | 0367 110030 | Fadenhebellenker                               | thread guide rod                                     |
| 3    | 0367 110050 | Dichtscheibe                                   | gasket   |
| 4    | 0467 110013 | Fadenhebel K<br>(Mit Pos. 5-9)                 | thread lever cpl.<br>(with pos. 5-9)                 |
| 5    | 9120 030041 | Rillenkugellager                               | ball bearing   |
| 6    | 9120 030082 | Rillenkugellager                               | ball bearing   |
| 7    | 0367 110010 | Oese   | ring   |
| 8    | 0467 110010 | Fadenhebel                                     | threaded lever                                       |
| 9    | 0367 110040 | Lenkerbolzen                                   | guide bar  |
| 10   | 9231 000367 | 6Kt. Mutter                                    | nut  |
| 11   | 0367 110520 | Fadenhebel Kurbel                              | thread crank   |
| 12   | 9120 030082 | Rillenkugellager                               | ball bearing   |
| 13   | 0367 120023 | Nadelst. Gelenk<br>(Mit Pos. 14,15)            | needle bar joint<br>(mit pos. 14,15)                 |
| 14   | 9203 003662 | Zyl. Schr.                                     | cyl. screw   |
| 15   | 9205 161558 | Gew. Stift                                     | threaded pin   |
| 16   | 0767 120023 | Nadelst. Gelenk<br>(Mit Pos. 17, 18)           | needle bar joint<br>(with pos. 17, 18)               |
| 17   | 0367 120030 | Buchse   | bushing  |
| 18   | 0367 120010 | Nadelst. Gelenk                                | needle bar joint                                     |
| 19   | 0367 120040 | Gleitstein                                     | slide block  |
| 20   | 0367 120110 | Gew. Bolzen                                    | threaded bolt  |
| 21   | 0367 120050 | Gleitfuehrung                                  | slide guide  |
| 22   | 9202 042078 | Zyl. Schr.                                     | cyl. screw   |
| 23   | 0367 120080 | Nippel   | nipple   |
| 24   | 9041 100031 | Oeldocht , rund                                | oil wick   |
| 25   | 0699 979100 | Schlauch                                       | hose   |
| 26   | 0367 120270 | Platte   | plate  |
| 27   | 0367 120100 | Oelkissen                                      | oil disc   |
| 28   | 9330 200097 | Scheibe  | washer   |
| 29   | 9203 313668 | Senkschr.                                      | sunk screw   |
| 30   | 9041 100020 | Oeldocht, rund                                 | oil wick   |

| Pos. | Teile-Nr.   | Benennung                           | Denomination                            |
|------|-------------|-------------------------------------|---|
| 31   | 0767 120064 | Nadelstange K                       | needle bar cpl.                         |
| 32   | 0767 120060 | Nadelstange                         | needle bar                              |
| 33   | 9205 101528 | Gew. Stift                          | threaded pin                            |
| 34   | 9203 312411 | Senkschr.                           | sunk screw                              |
| 35   | 0291 000159 | Fadenfuehrung                       | threaded guide                          |
| 36   | 9205 102168 | Gew. Stift                          | threaded pin                            |
| 37   | 0367 110070 | Buchse                              | bushing                                 |
| 38   | 0767 100034 | Armwelle K<br>(Mit pos: 39,41-44)   | arm shaft cpl.<br>(with pos. 39, 41-44) |
| 39   | 0467 100284 | Armwelle V<br>(Mit Pos. 40)         | arm shaft<br>(with pos 40)              |
| 40   | 9202 042488 | Zyl. Schr.                          | cyl. screw                              |
| 41   | 9129 016050 | Sprengring                          | spring ring                             |
| 42   | 9120 080110 | Rillenkugellager                    | ball bearing                            |
| 43   | 0467 100290 | Gegengewicht                        | counter weight                          |
| 44   | 9205 102783 | Gew. Stift                          | threaded pin                            |
| 45   | 0216 000052 | Gew. Stift                          | threaded pin                            |
| 46   | 0767 100044 | Lagerhuelse K<br>(Mit Pos. 47-49)   | bearing sleeve cpl.<br>(with pos 47-49) |
| 47   | 9120 030200 | Sich. Ring                          | circlip                                 |
| 48   | 9352 000200 | Rillenkugellager                    | ball bearing                            |
| 49   | 0367 100353 | Lagerhuelse K<br>(Mit Pos. 50)      | bearing bush cpl.<br>(with pos. 50)     |
| 50   | 9205 102478 | Gew. Stift                          | threaded pin                            |
| 51   | 0367 150163 | Zahnriemenrad V<br>(Mit Pos. 52,53) | belt pulley cpl.<br>(with pos. 52, 53)  |
| 52   | 9205 102478 | Gew. Stift                          | threaded pin                            |
| 53   | 9205 122488 | Gew. Stift                          | threaded pin                            |
| 54   | 0367 150150 | Zahnriemen                          | toothed belt                            |
| 55   | 0767 100024 | Lagerhuelse<br>(Mit Pos. 56-59)     | bearing bush<br>(with pos. 56-59)       |
| 56   | 9352 000200 | Sich. Ring                          | circlip                                 |
| 57   | 9129 016050 | Sprengring                          | spring ring                             |
| 58   | 9120 080110 | Rillenkugellager                    | ball bearing                            |
| 59   | 0367 100063 | Lagerhuelse K Hi.<br>(Mit Pos. 60)  | bearing bush cpl.<br>(with pos. 60)     |
| 60   | 9205 102478 | Gew. Stift                          | threaded pin                            |

| Pos. | Teile-Nr.   | Benennung        | Denomination       |
|------|-------------|------------------|--------------------|
| 61   | 0367 100424 | Handrad K        | balance wheel cpl. |
| 61   |             | (Mit Pos. 62-67) | (with pos. 62-67)  |
| 62   | 0367 100430 | Riemenscheibe    | pulley             |
| 63   | 9205 102488 | Gew. Stift       | threaded pin       |
| 64   | 9205 122498 | Gew. Stift       | threaded pin       |
| 65   | 0367 100420 | Handrad          | handwheel          |
| 66   | 9202 002498 | Zyl. Schr.       | cyl .screw         |
| 67   | 0894 450378 | Faecherscheibe   | disc               |
| 68   | 9202 003318 | Zyl. Schr.       | cyl. screw         |
| 69   | 0894 700758 | Federring        | spring ring        |
| 70   | 0367 310330 | Buchse           | bushing            |
| 71   | 0998 880120 | Stuetzscheibe    | support disc       |
| 72   | 0367 120093 | Klemmkloben K    | block cpl.         |
| 72   |             | (Mit Pos. 73,74) | (with pos. 73,74)  |
| 73   | 9202 002097 | Zyl. Schr.       | cyl.screw          |
| 74   | 9330 000087 | Scheibe          | washer             |
| 75   | 0367 120160 | Oeldocht         | oil wick           |

| Pos. | Teile-Nr. | Benennung | Denomination |
|------|-----------|-----------|--------------|
|------|-----------|-----------|--------------|

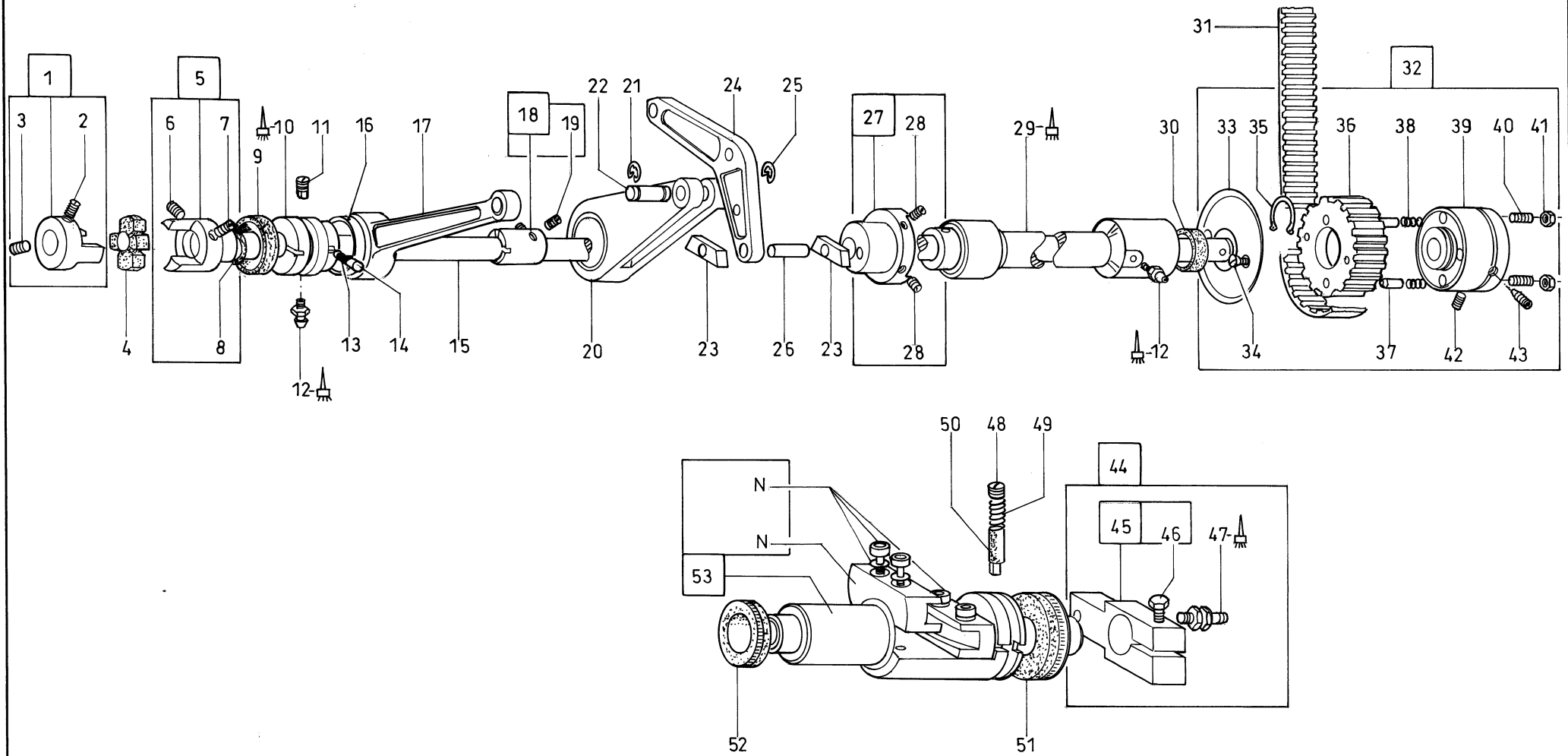




N-nicht als Einzelteil lieferbar / not available as separate part  
 ≡ -geklebt - bonded

| Pos. | Teile-Nr.   | Benennung                           | Denomination                           |
|------|-------------|-------------------------------------|--|
|      |             | OBERTEIL                            | MACHINE HEAD                           |
| 1    | 0467 160144 | Transp. Balken K<br>(Mit Pos. 2-16) | feed girder cpl.<br>(with pos. 2-16)   |
| 2    | 0367 160720 | Buchse                              | bushing                                |
| 3    | 9334 000040 | Scheibe                             | washer                                 |
| 5    | 0996 031118 | Tellerfeder                         | spring                                 |
| 6    | 9357 000070 | Sich. Scheibe                       | retainer disc                          |
| 7    | 0367 160240 | Bolzen                              | bolt                                   |
| 8    | 0999 220694 | Schlauchklemmee                     | hose clamp                             |
| 9    | 9205 023920 | Gew. Stift                          | threaded pin                           |
| 10   | 0467 160140 | Transportbalken                     | feed girder                            |
| 11   | 0467 160220 | Bolzen                              | bolt                                   |
| 12   | 9202 042908 | Zyl. Schr.                          | cyl. screw                             |
| 13   | 0367 160233 | Kloben V                            | block cpl.                             |
| 14   | 9041 100015 | Oeldocht ,rund                      | oil wick, round                        |
| 15   | 0699 979100 | Schlauch                            | hose                                   |
| 16   | 0367 160320 | Nippel                              | nipple                                 |
| 17   | 0998 830318 | Halbmondtring                       | halfmoon ring                          |
| 18   | 0367 160130 | Buchse                              | bushing                                |
| 19   | 0367 160053 | Vorschubwelle V<br>(Mit Pos. 20)    | shaft cpl.<br>(with pos. 20)           |
| 20   | 0367 160680 | Zyl. Stift                          | cyl. pin                               |
| 21   | 0367 160640 | Dichtstopfen                        | plug                                   |
| 22   | 0396 160553 | Stellkloben V<br>(Mit Pos. 23)      | block cpl.<br>(with pos. 23)           |
| 23   | 9202 002088 | Zyl. Schr.                          | cyl. screw                             |
| 24   | 0999 210834 | Dichtring                           | gasket ring                            |
| 25   | 9202 022078 | Zyl. Schr.                          | cyl. screw                             |
| 26   | 0477 160223 | Kurbel V<br>(Mit Pos. 27)           | crank cpl.<br>(with pos. 27)           |
| 27   | 9202 042888 | Zyl. Schr.                          | cyl. screw                             |
| 28   | 0998 881070 | Paszscheibe                         | washer                                 |
| 29   | 0367 160310 | Bolzen                              | bolt                                   |
| 30   | 0467 160173 | Hubwelle V<br>(Mit Pos. 31,32)      | lifter shaft cpl.<br>(with pos. 31,32) |

| Pos. | Teile-Nr.   | Benennung                     | Denomination                    |
|------|-------------|-------------------------------|---------------------------------|
| 31   | 0367 160680 | Zyl. Schr.                    | cyl. screw                      |
| 32   | 9041 100020 | Oeldocht, rund                | oil wick, round                 |
| 33   | 0467 160100 | Stopfen                       | plug                            |
| 34   | 9203 003057 | Zyl. Schr.                    | cyl. screw                      |
| 35   | 0467 160210 | Scheibe                       | washer                          |
| 36   | 0467 160200 | Schwinge                      | oscillator                      |
| 37   | 0998 881620 | Paszscheibe                   | disc                            |
| 38   | 0367 310203 | Hebel K<br>(Mit Pos. 39-41)   | lever cpl.<br>(with pos. 39-41) |
| 39   | 0367 311363 | Hebel V                       | lever                           |
| 40   | 9202 002908 | Zyl. Schr.                    | cyl. screw                      |
| 41   | 0067 160490 | Bolzen                        | bolt                            |
| 42   | 0367 310673 | Kloben K<br>(Mit Pos. 43-45)  | block cpl.<br>(with pos. 43-45) |
| 43   | 0367 310013 | Kloben K<br>(Mit Pos. 44)     | block cpl.<br>(with pos. 44)    |
| 44   | 9202 002898 | Zyl. Schr.                    | cyl. screw                      |
| 45   | 0067 160490 | Bolzen                        | bolt                            |
| 46   | 9357 000100 | Sich. Scheibe                 | retainer disc                   |
| 47   | 0367 310023 | Zugstange<br>(Mit Pos. 48-52) | lever<br>(with pos. 48-52)      |
| 48   | 0367 311343 | Zugstange                     | lever                           |
| 49   | 0367 160640 | Dichtstopfen                  | cap                             |
| 50   | 0699 979100 | Schlauch                      | hose                            |
| 51   | 0367 160320 | Nippel                        | nipple                          |
| 52   | 9041 100015 | Oeldocht, rund                | oil wick, round                 |

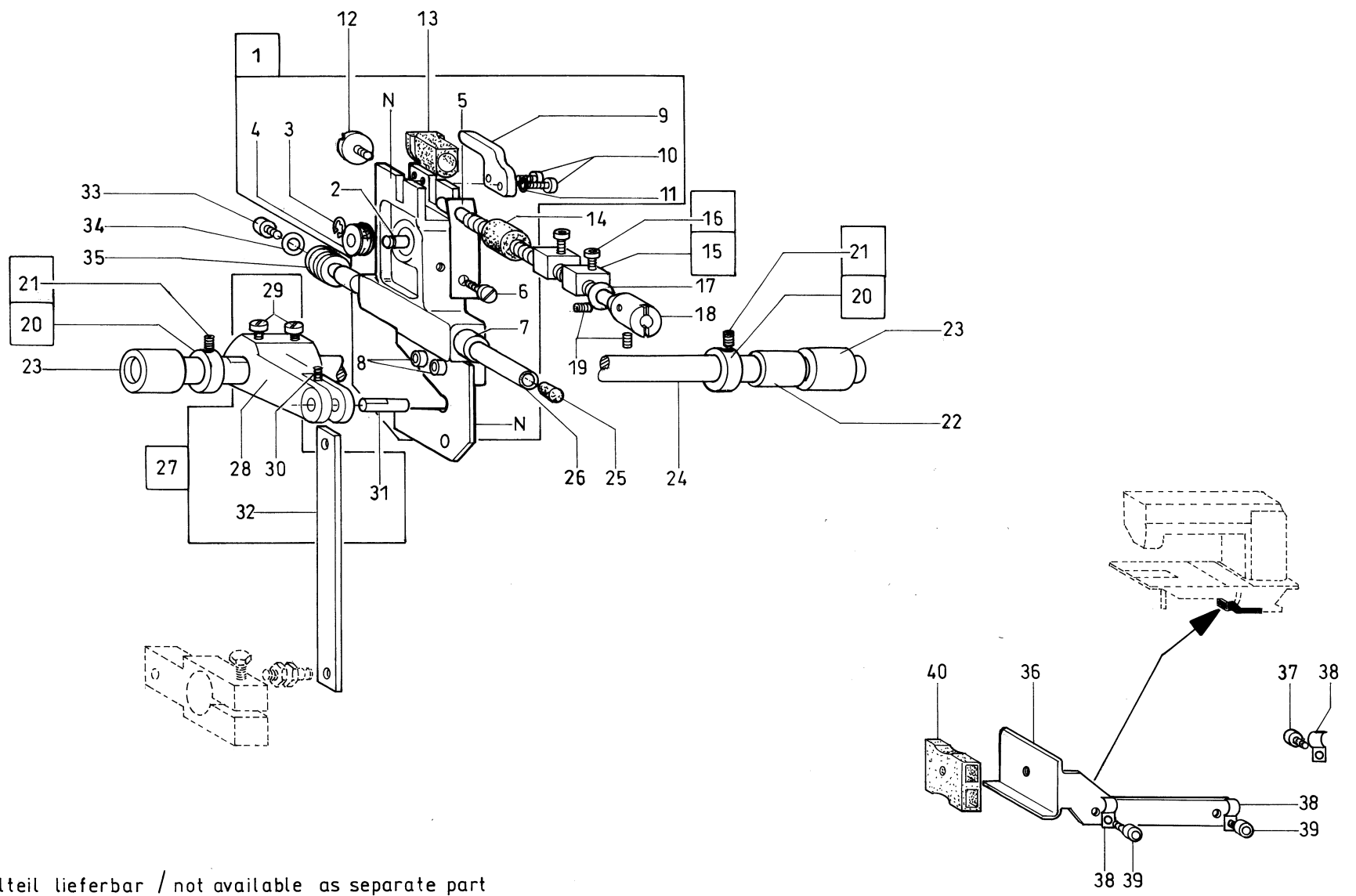


▲ -kleben / bonded

N - Nicht als Einzelteil lieferbar / not available as separate part

| Pos. | Teile-Nr.   | Benennung                           | Denomination                         |
|------|-------------|-------------------------------------|--------------------------------------|
|      |             | OBERTEIL                            | MACHINE HEAD                         |
| 1    | 0367 150103 | Kuppl. Klaue K<br>(Mit Pos. 2, 3)   | claw cpl.<br>(with pos. 2, 3)        |
| 2    | 9205 122498 | Gew. Stift                          | threaded pin                         |
| 3    | 9205 122488 | Gew. Stift                          | threaded pin                         |
| 4    | 0367 150080 | Zahnkranz                           | cog wheel                            |
| 5    | 0367 150093 | Kuppl. Klaue K<br>(Mit Pos. 6-8)    | claw cpl.<br>(with pos. 6-8)         |
| 6    | 9205 102478 | Gew. Stift                          | threaded pin                         |
| 7    | 9205 102488 | Gew. Stift                          | threaded pin                         |
| 8    | 0998 860670 | O-Ring                              | ring                                 |
| 9    | 0998 856900 | Simmerring                          | oil seal                             |
| 10   | 0367 150930 | Buchse                              | bushing                              |
| 11   | 0367 150070 | Gew. Stift mit Zapfen               | threaded pin                         |
| 12   | 0367 160320 | Nippel                              | nipple                               |
| 13   | 0370 221230 | Druckfeder                          | pressure spring                      |
| 14   | 0367 150950 | Kolben                              | piston                               |
| 15   | 0367 150960 | Welle                               | shaft                                |
| 16   | 0367 150940 | Laufgrad                            | roller                               |
| 17   | 0367 160253 | Zugstange K                         | pull rod cpl.                        |
| 18   | 0367 160183 | Hubexzenter K<br>(Mit Pos. 19)      | stroke cam cpl.<br>(with pos. 19)    |
| 19   | 9205 102468 | Gew. Stift                          | threaded pin                         |
| 20   | 0367 160273 | Zugstange V                         | pull rod cpl.                        |
| 21   | 9357 000070 | Sich. Scheibe                       | safety disc                          |
| 22   | 0367 160310 | Bolzen                              | bolt                                 |
| 23   | 0367 160090 | Gleitstein                          | slide stone                          |
| 24   | 0367 160290 | Hebel                               | lever                                |
| 25   | 0996 070088 | Sich. Scheibe                       | safety disc                          |
| 26   | 0367 160100 | Bolzen                              | bolt                                 |
| 27   | 0467 160133 | Schieberexzenter K<br>(Mit Pos. 28) | bar eccentric cpl.<br>(with pos. 28) |
| 28   | 9205 102478 | Gew. Stift                          | threaded pin                         |
| 29   | 0367 150050 | Lagerbuchse                         | bearing bush                         |
| 30   | 0998 852260 | Simmerring                          | sealing ring                         |

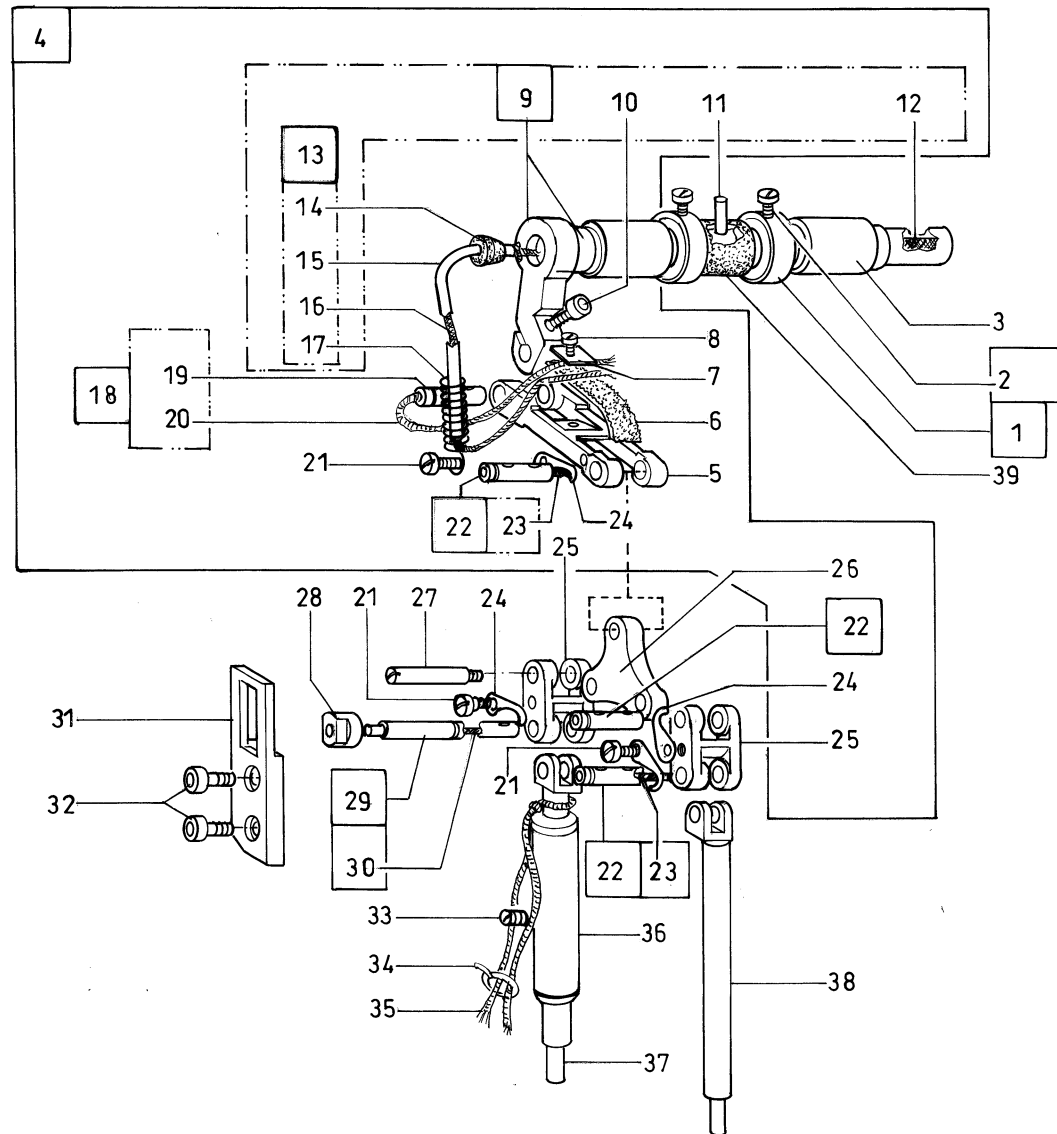
| Pos. | Teile-Nr.   | Benennung                           | Denomination                          |
|------|-------------|-------------------------------------|---------------------------------------|
| 31   | 0367 150150 | Zahnriemen                          | belt                                  |
| 32   | 0367 151004 | Zahnriemenrad K<br>(Mit Pos. 33-43) | belt pulley cpl.<br>(with pos. 33-43) |
| 33   | 0367 150780 | Scheibe                             | disc                                  |
| 34   | 9203 313021 | Senkschr.                           | sunk screw                            |
| 35   | 9352 000220 | Piston                              | piston                                |
| 36   | 0367 151010 | Huelse                              | bush                                  |
| 37   | 0367 151020 | Piston                              | piston                                |
| 38   | 0067 001770 | Druckfeder                          | pressure spring                       |
| 39   | 0367 151000 | Koerper                             | frame                                 |
| 40   | 9205 102498 | Gew. Stift                          | threaded pin                          |
| 41   | 9231 000387 | 6Kt. Mutter                         | hexagonal screw                       |
| 42   | 9205 102798 | Gew. Stift                          | threaded pin                          |
| 43   | 0993 931338 | Gew. Stift                          | threaded pin                          |
| 44   | 0367 160383 | Kloben K<br>(Mit Pos. 45,47)        | block cpl.<br>(with pos. 45,47)       |
| 45   | 0367 160373 | Kloben V<br>(Mit Pos. 46)           | block cpl.<br>(with pos. 46)          |
| 46   | 9201 113338 | 6Kt. Schr.                          | hexagonal screw                       |
| 47   | 0367 160380 | Bolzen                              | bolt                                  |
| 48   | 9205 024868 | Gew. Stift                          | threaded pin                          |
| 49   | 0367 160120 | Druckfeder                          | pressure spring                       |
| 50   | 0367 160110 | Keil                                | wedge                                 |
| 51   | 0998 857800 | Simmerring                          | sealing ring                          |
| 52   | 0998 856800 | Simmerring                          | sealing ring                          |
| 53   | 0367 160064 | Stellwelle                          | shaft                                 |



N=nicht als Einzelteil lieferbar / not available as separate part

| Pos. | Teile-Nr.   | Benennung                       | Denomination                          |
|------|-------------|---------------------------------|---------------------------------------|
|      |             | OBERTEIL                        | MACHINE HEAD                          |
| 1    | 0767 160064 | Gleitgabel K<br>(Mit Pos. 2-11) | slide fork cpl.<br>(with pos. 2-11)   |
| 2    | 0367 310190 | Bolzen                          | bolt                                  |
| 3    | 9357 000060 | Sich. Scheibe                   | safety disc                           |
| 4    | 0367 160530 | Rolle                           | roller                                |
| 5    | 0367 160410 | Blattfeder                      | leaf spring                           |
| 6    | 9203 003947 | Zyl.Schr.                       | cyl screw                             |
| 7    | 0999 210839 | Buchse                          | bushing                               |
| 8    | 9202 002477 | Zyl. Schr.                      | cyl. screw                            |
| 9    | 0767 490100 | Blech                           | sheet                                 |
| 10   | 9202 001678 | Zyl. Schr.                      | cyl. screw                            |
| 11   | 9330 200078 | Scheibe                         | washer                                |
| 12   | 0767 160070 | Linsenschr.                     | screw                                 |
| 13   | 0367 160400 | Ausgleichstueck                 | compens piece                         |
| 14   | 0367 160750 | Distanzhulse                    | distance sleeve                       |
| 15   | 0767 160044 | Klemmkloben K<br>(Mit Pos. 16)  | clamping block cpl.<br>(with pos. 16) |
| 16   | 9202 002473 | Zyl. Schr.                      | cyl. screw                            |
| 17   | 0053 000350 | Scheibe                         | washer                                |
| 18   | 0767 160030 | Gewindespindel                  | threaded spindle                      |
| 19   | 9205 101848 | Gew. Stift                      | threaded pin                          |
| 20   | 0367 130153 | Stelling K<br>(Mit Pos. 21)     | adj. ring cpl.<br>(with pos. 21)      |
| 21   | 9203 003948 | Zyl. Schr.                      | cyl. screw                            |
| 22   | 0367 160690 | Buchse                          | bushing                               |
| 23   | 0367 130170 | Buchse                          | bushing                               |
| 24   | 0367 160420 | Achse                           | axle                                  |
| 25   | 0467 160230 | Stopfen                         | plug                                  |
| 26   | 0367 160460 | Gleitstange                     | rod                                   |
| 27   | 0367 160344 | Hebel K<br>(Mit Pos. 28-32)     | level cpl.<br>(with pos. 28-32)       |
| 28   | 0367 160340 | Hebel                           | lever                                 |
| 29   | 0992 023800 | Zyl. Schr.                      | cyl. screw                            |
| 30   | 9205 101868 | Gew. Stift                      | threaded pin                          |

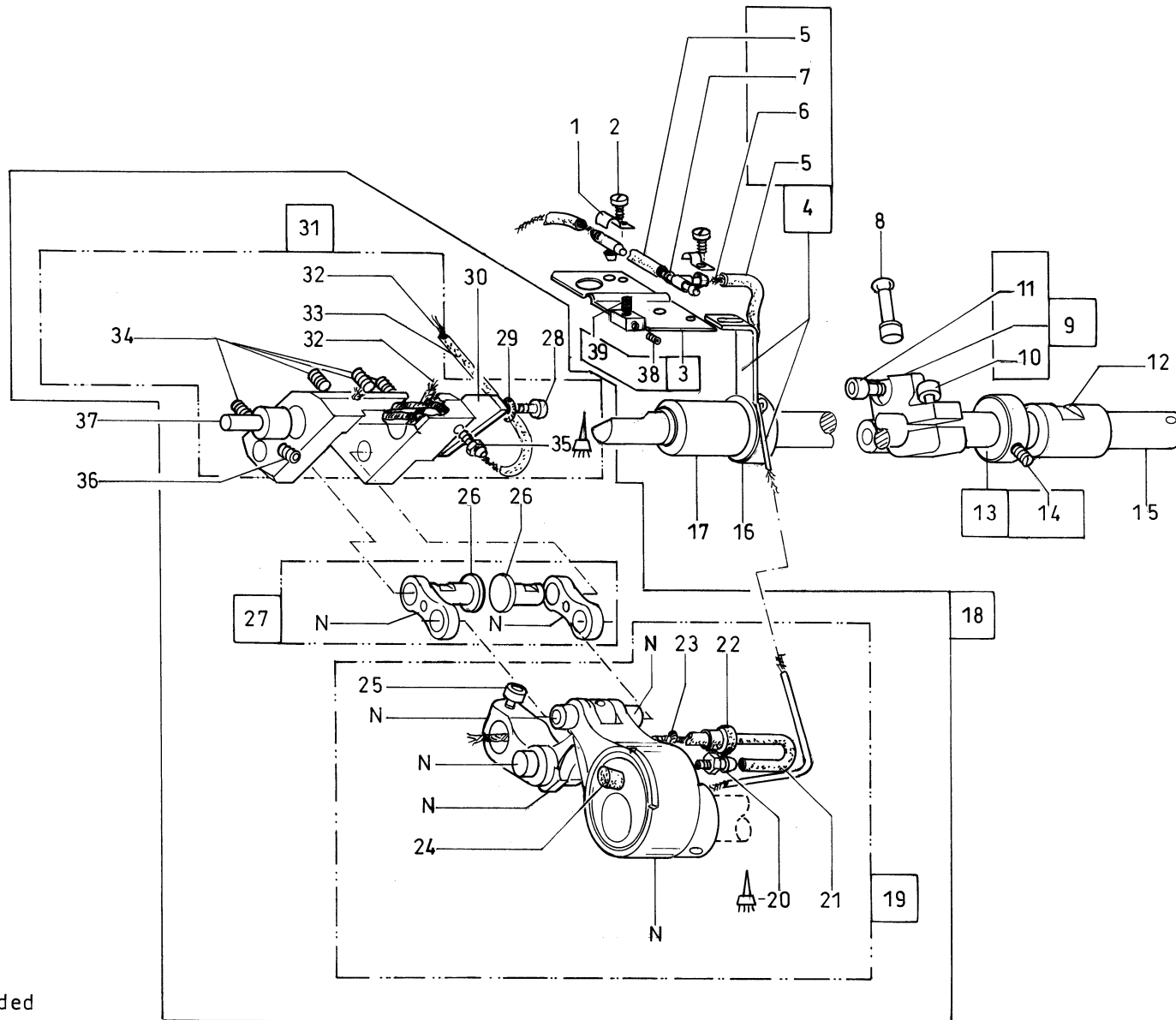
| Pos. | Teile-Nr.   | Benennung      | Denomination   |
|------|-------------|----------------|----------------|
| 31   | 0367 160360 | Bolzen         | bolt           |
| 32   | 0367 160350 | Zugstange      | pull rod       |
| 33   | 9202 002068 | Zyl. Schr.     | cyl. screw     |
| 34   | 9330 000087 | Scheibe        | washer         |
| 35   | 0367 160200 | Buchse         | bushing        |
| 36   | 0367 350270 | Winkel         | angle          |
| 37   | 9202 002057 | Zyl. Schr.     | cyl. screw     |
| 38   | 9840 120203 | Bef. Schelle   | fastening clip |
| 39   | 9202 002087 | Zyl. Schr.     | cyl. screw     |
| 40   | 9825 551102 | Steckverbinder | cuopling       |
| 41   | 9203 003107 | Zyl. Schr.     | cyl. screw     |




| Pos. | Teile-Nr.   | Benennung                     | Denomination                   |
|------|-------------|-------------------------------|--------------------------------|
|      |             | OBERTEIL                      | MACHINE HEAD                   |
| 1    | 0367 310153 | Stellring K                   | adj. ring cpl.                 |
| 1    |             | (Mit Pos. 2)                  | (with pos. 2)                  |
| 2    | 9203 003957 | Zyl. Schr.                    | cyl. screw                     |
| 3    | 0367 310330 | Buchse                        | bushing                        |
| 4    | 0767 310014 | Gelenk K                      | joint cpl.                     |
| 4    |             | (Mit Pos. 5-9,18,21,22,24-26) | (with pos. 5-9,18,21,22,24-26) |
| 5    | 0467 310130 | Zugstange                     | pull rod                       |
| 6    | 0467 310140 | Oelkissen                     | oil leather                    |
| 7    | 0467 310150 | Blech                         | plate                          |
| 8    | 9202 001653 | Zyl. Schr.                    | cyl. screw                     |
| 9    | 0467 310083 | Welle K                       | shaft cpl..                    |
| 9    |             | (Mit Pos. 10-13)              | (with pos. 10-13)              |
| 10   | 9202 042087 | Zyl. Schr.                    | cyl. screw                     |
| 11   | 0467 310100 | Stift                         | pin                            |
| 12   | 9041 100050 | Oelldocht, rund               | oil wick, round                |
| 13   | 0467 310123 | Oleschlauch K                 | oil hose cpl..                 |
| 14   | 0367 310370 | Dichtstopfen                  | plug                           |
| 15   | 0699 979100 | Schlauch                      | hose                           |
| 16   | 9041 100015 | Oledocht, rund                | oil wick, round                |
| 17   | 0467 310220 | Feder                         | spring                         |
| 18   | 0467 310173 | Bolzen K                      | bolt cpl.                      |
| 18   |             | (Mit Pos. 19, 20)             | (with pos. 19, 20)             |
| 19   | 0367 310190 | Bolzen                        | bolt                           |
| 20   | 9041 100015 | Oledocht, rund                | oil wick, round                |
| 21   | 9203 003627 | Zyl. Schr.                    | cyl. screw                     |
| 22   | 0467 310163 | Bolzen K                      | bolt cpl.                      |
| 22   |             | (Mit Pos. 23)                 | (with pos. 23)                 |
| 23   | 9041 100015 | Oeldocht, rund                | oil wick, round                |
| 24   | 0367 310280 | Sicherungsblech               | plate                          |
| 25   | 0367 310210 | Gelenk                        | joint                          |
| 26   | 0467 310180 | Lenker                        | pull rod                       |
| 27   | 0467 310200 | Bolzen                        | bolt                           |
| 28   | 0376 130640 | Gleitstein                    | slide stone                    |

| Pos. | Teile-Nr.   | Benennung             | Denomination              |
|------|-------------|-----------------------|---------------------------|
| 29   | 0467 310213 | Bolzen K              | bolt cpl.                 |
| 29   |             | (Mit Pos. 30)         | (with pos. 30)            |
| 30   | 0699 991582 | Pfeifenreiniger       | part                      |
| 31   | 0367 130630 | Fuehrung              | guide                     |
| 32   | 9202 022488 | Zyl. Schr.            | cyl. screw                |
| 33   | 0993 952948 | Gew. Stift            | cyl.screw                 |
| 34   | 9840 121001 | Kabelbinder           | clamp                     |
| 35   | 0367 130680 | Oeldocht              | oil wick, round           |
| 36   | 0367 130920 | Buchse                | bushing                   |
| 37   | 0467 130283 | Stoffdr. Stange V     | presser foot shaft cpl.   |
| 38   | 0467 310233 | Transportfuszstange V | transport foot shaft cpl. |
| 39   | 0467 310110 | Ring                  | ring                      |



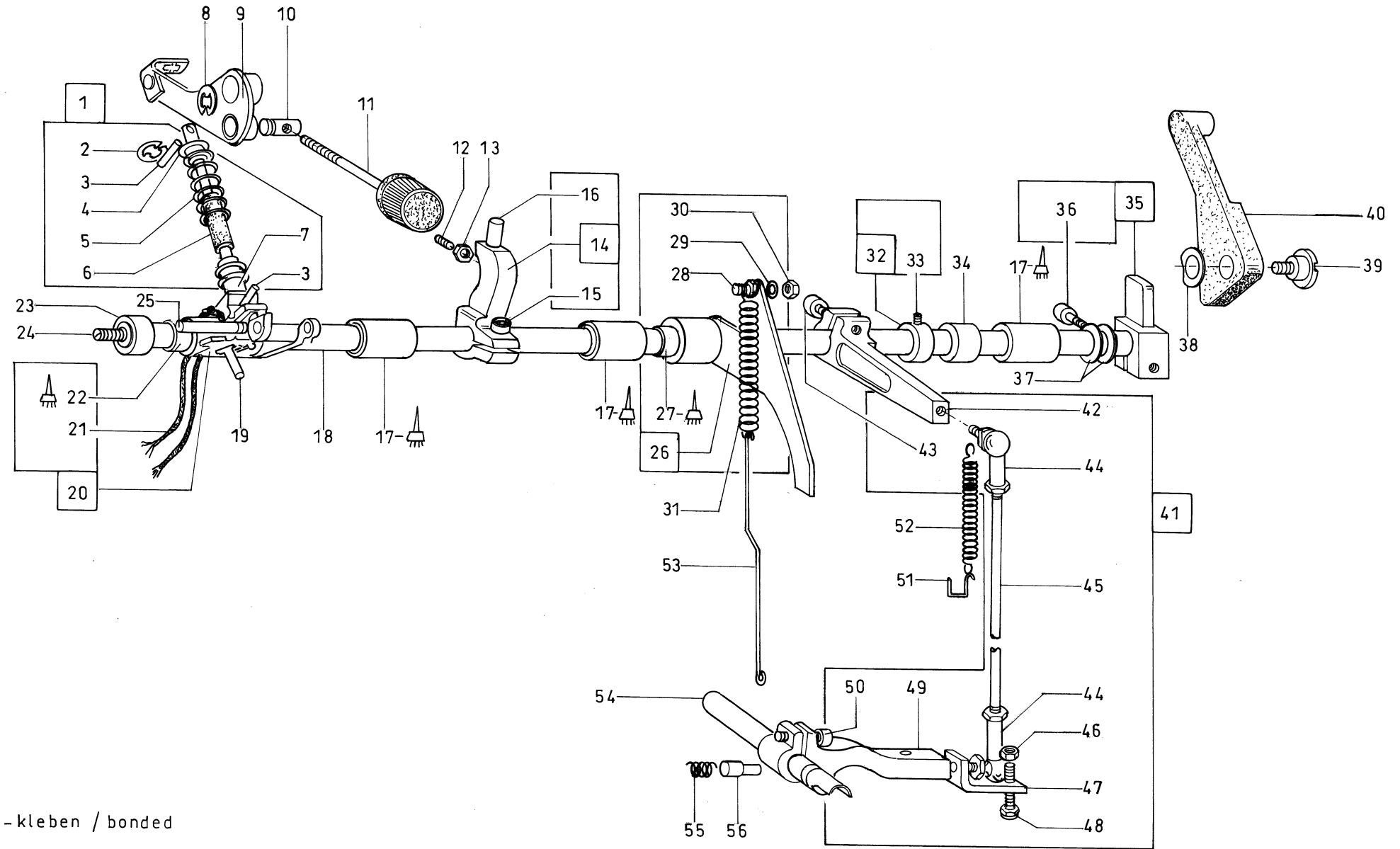



 - kleben / bonded

N - Nicht als Einzelteil lieferbar / not available as separate part

| Pos. | Teile-Nr.   | Benennung                 | Denomination               |
|------|-------------|---------------------------|----------------------------|
|      |             | OBERTEIL                  | MACHINE HEAD               |
| 1    | 9202 002078 | Zyl. Schr.                | cyl.screw                  |
| 2    | 9840 120203 | Bef. Schelle              | clamp                      |
| 3    | 0767 310164 | Blech                     | plate                      |
| 3    |             | (Mit Pos. 38, 39)         | (with pos. 38, 39)         |
| 4    | 0367 311163 | Oelrohr K                 | oil pipe cpl.              |
| 4    |             | (Mit Pos. 5-7)            | (with pos. 5-7)            |
| 5    | 0699 979100 | Schlauch                  | hose                       |
| 6    | 9041 100020 | Oeldocht, rund            | oil wick, round            |
| 7    | 9790 020010 | T-Verb. Stueck            | coupling                   |
| 8    | 0367 311240 | Kugelbolzen               | ball pin                   |
| 9    | 0367 311223 | Hebel K                   | lever cpl.                 |
| 9    |             | (Mit Pos. 10,11)          | (with pos. 10,11)          |
| 10   | 9202 002908 | Zyl. Schr.                | cyl. screw                 |
| 11   | 9202 002488 | Zyl. Schr.                | cyl. screw                 |
| 12   | 0367 311060 | Buchse                    | bushing                    |
| 13   | 0367 310933 | Stellring K               | adj. ring cpl.             |
| 13   |             | (Mit Pos. 14)             | (with pos. 14)             |
| 14   | 9205 102158 | Gew. Stift                | threaded pin               |
| 15   | 0367 311150 | Welle                     | shaft                      |
| 16   | 0367 310933 | Stellring K               | adj. ring cpl.             |
| 17   | 0367 310330 | Buchse                    | bushing                    |
| 18   | 0767 310034 | Hubgetriebe K             | stroke gearing cpl.        |
| 18   |             | (Mit Pos. 19,26,31,35,36) | (with pos. 19,26,31,35,36) |
| 19   | 0477 310084 | Zugstange K               | traction rod cpl.          |
| 19   |             | (Mit Pos. 20-25)          | (with pos. 20-25)          |
| 20   | 0367 160320 | Nippel                    | nipple                     |
| 21   | 0699 979100 | Schlauch                  | hose                       |
| 22   | 0367 310360 | Dichtstopfen              | plug                       |
| 23   | 9041 100015 | Oeldocht, rund            | oil wick, round            |
| 24   | 0069 120020 | Stopfen                   | plug                       |
| 25   | 9202 002907 | Zyl. Schr.                | cyl. screw                 |
| 26   | 0367 311130 | Bolzen                    | bolt                       |
| 27   | 0367 311103 | Lasche                    | shackle                    |
| 28   | 9202 002478 | Zyl. Schr.                | cyl.screw                  |

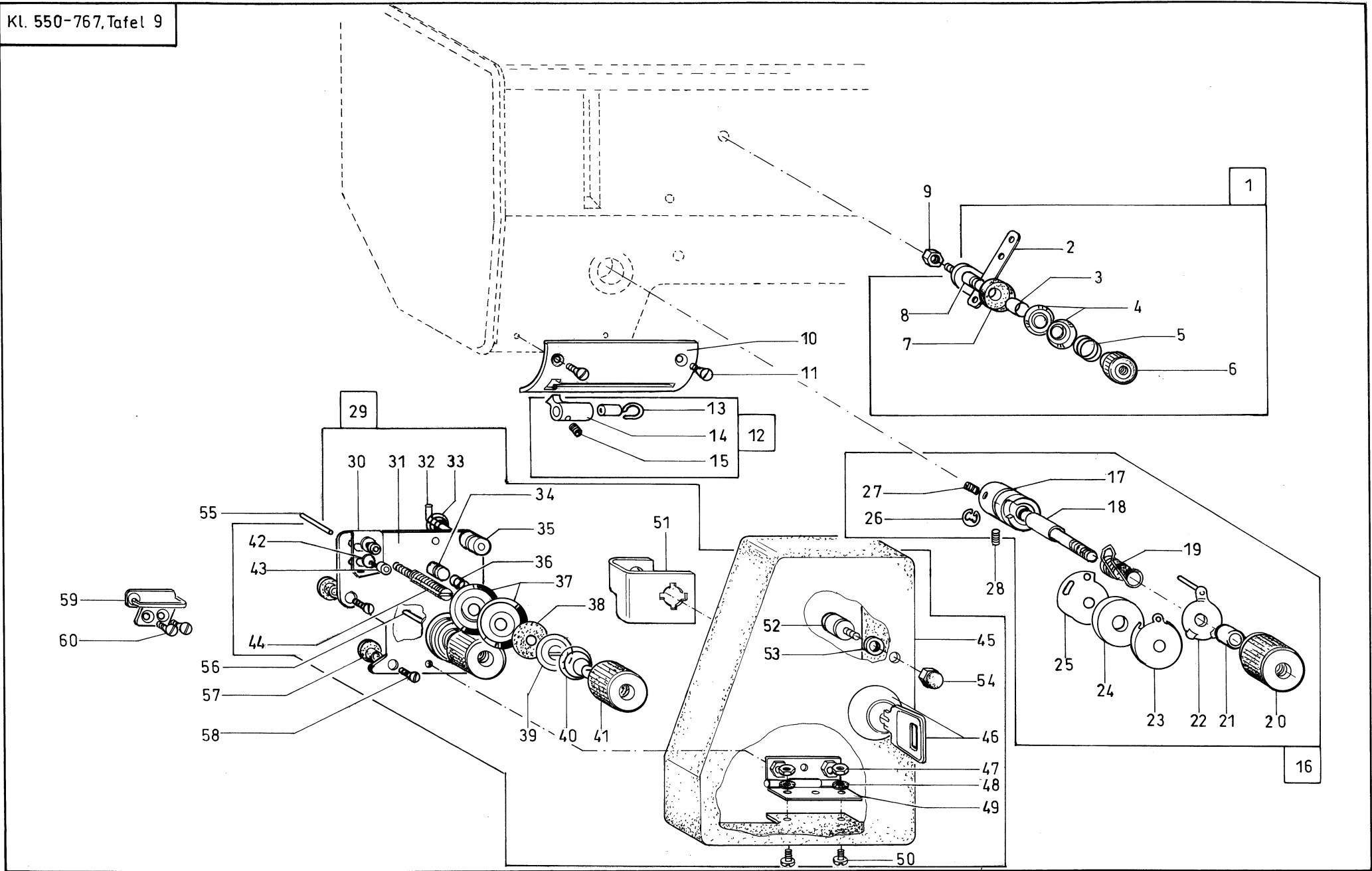
| Pos. | Teile-Nr.   | Benennung        | Denomination      |
|------|-------------|------------------|-------------------|
| 29   | 0894 450378 | Faecherscheibe   | disc              |
| 30   | 0467 310070 | Blech            | plate             |
| 31   | 0367 311193 | Rahmen K         | frame cpl.        |
| 31   |             | (Mit Pos. 32-35) | (with pos. 32-35) |
| 32   | 9041 100015 | Oeldocht, rund   | oil wick, round   |
| 33   | 0699 979100 | Schlauch         | hose              |
| 34   | 9205 102178 | Gew. Stift       | threaded pin      |
| 35   | 0367 160320 | Nippel           | nipple            |
| 36   | 9205 102488 | Gew. Stift       | threaded pin      |
| 37   | 0367 311170 | Bolzen           | bolt              |
| 38   | 0993 530740 | Gew. Stift       | threaded pin      |
| 39   | 0202 000708 | Gew. Stift       | threaded pin      |



 -kleben / bonded

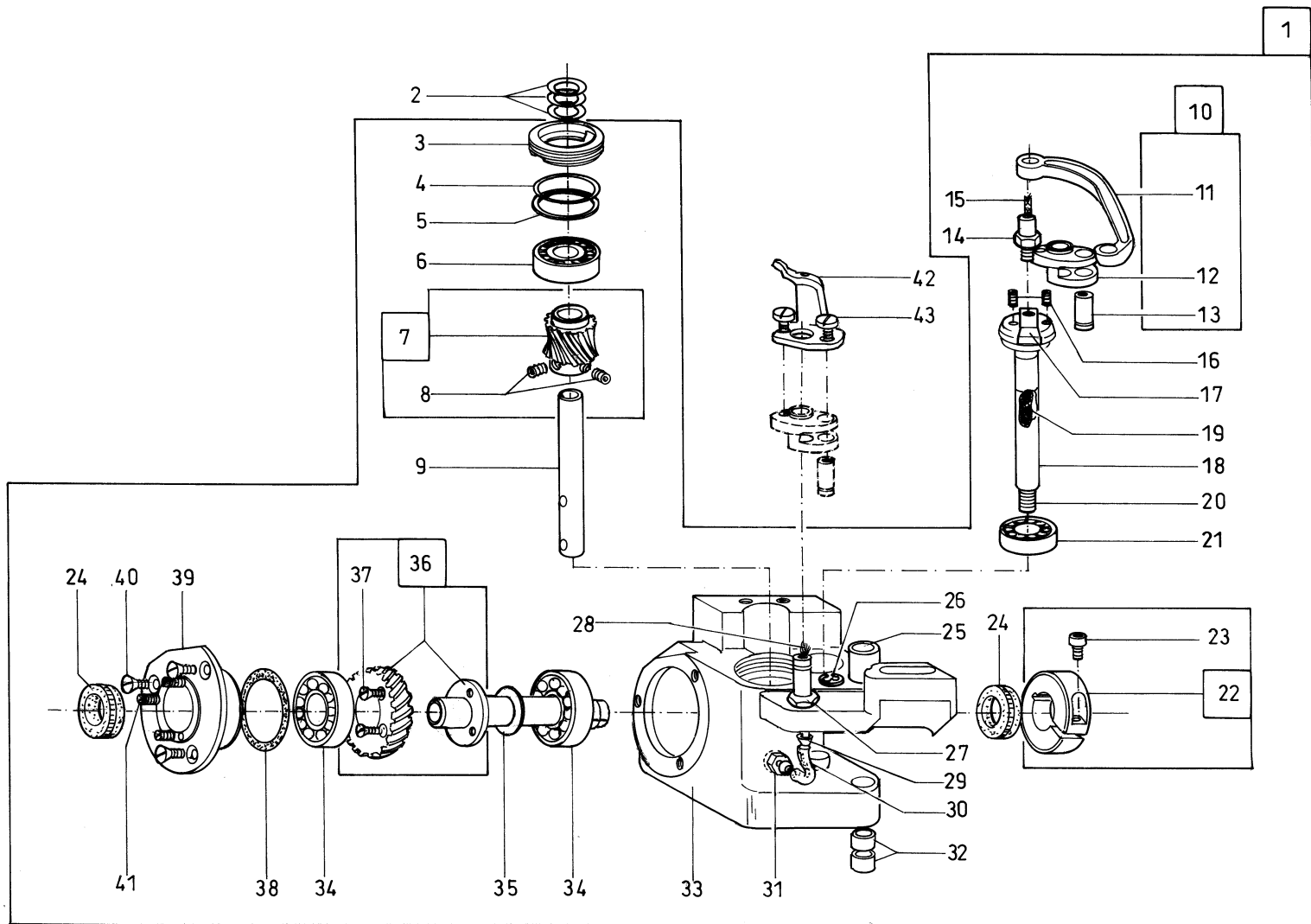
| Pos. | Teile-Nr.   | Benennung        | Denomination         |
|------|-------------|------------------|----------------------|
|      |             | OBERTEIL         | MACHINE HEAD         |
| 1    | 0467 130354 | Druckfeder K     | pressure spring cpl. |
| 1    |             | (Mit Pos. 2-7)   | (with pos. 2-7)      |
| 2    | 9357 000070 | Sich. Scheibe    | safety disc          |
| 3    | 0935 004395 | Spannstift       | pin                  |
| 4    | 0568 330100 | Bundbuchse       | bushing              |
| 5    | 0367 130600 | Druckfeder       | pressure spring      |
| 6    | 0367 130710 | Huelse           | bush                 |
| 7    | 0467 130340 | Federfuehrung    | guide                |
| 8    | 9357 000090 | Sich. Scheibe    | washer               |
| 9    | 0467 130304 | Federhebel V     | spring lever cpl.    |
| 10   | 0367 130130 | Bolzen           | bolt                 |
| 11   | 0367 130273 | Spindel V        | spindle cpl.         |
| 12   | 0993 521090 | Gew. Stift       | threaded pin         |
| 13   | 9231 000377 | 6Kt. Mutter      | hexagonal nut        |
| 14   | 0367 110593 | Hebel K          | lever cpl.           |
| 14   |             | (Mit Pos. 15,16) | (with pos15,16)      |
| 15   | 9202 002898 | Zyl. Schr.       | cyl.screw            |
| 16   | 0367 110100 | Zapfen           | stud                 |
| 17   | 0367 130170 | Buchse           | bushing              |
| 18   | 0467 130320 | Welle            | shaft                |
| 19   | 9301 102243 | RGKPF Zyl. Stift | pin                  |
| 20   | 0467 310193 | Gabelhebel K     | Fork lever cpl.      |
| 20   |             | (Mit Pos. 21,22) | (with pos. 21,22)    |
| 21   | 9041 100015 | Oeldocht, rund   | oil wick, round      |
| 22   | 0367 130340 | Buchse           | bushing              |
| 23   | 0367 130180 | Buchse           | bushing              |
| 24   | 9205 102798 | Gew. Stift       | threaded pin         |
| 25   | 0467 310200 | Bolzen           | bolt                 |
| 26   | 0367 160493 | Federbuegel V    | spring bow cpl.      |
| 26   |             | (Mit Pos. 27-30) | (with pos. 27-30)    |
| 27   | 0367 130340 | Buche            | bushing              |
| 28   | 0367 160660 | Bolzen           | bolt                 |
| 29   | 9330 000088 | Scheibe          | washer               |
| 30   | 9231 110058 | 6Kt. Mutter      | hexagonal nut        |

| Pos. | Teile-Nr.   | Benennung        | Denomination      |
|------|-------------|------------------|-------------------|
| 31   | 0367 160480 | Zugfeder         | spring            |
| 32   | 0367 130153 | Stellring K      | adj. ring cpl.    |
| 32   |             | (Mit Pos. 33)    | (with pos. 33)    |
| 33   | 9205 102158 | Gew. Stift       | threaded pin      |
| 34   | 0467 160040 | Buchse           | bushing           |
| 35   | 0367 130253 | Luefterkloben K  | lifter block cpl. |
| 35   |             | (Mit Pos. 36)    | (with pos. 36)    |
| 36   | 9202 002908 | Zyl. Schr.       | cyl. screw        |
| 37   | 0998 881110 | Paszscheibe      | washer            |
| 38   | 9332 500150 | Federscheibe     | washer            |
| 39   | 0993 991910 | Fl. Kopfschr.    | screw             |
| 40   | 0367 130240 | Luefterhebel     | lifter lever      |
| 41   | 0367 130964 | Hebel K          | lever cpl.        |
| 41   |             | (Mit Pos. 42-50) | (with pos. 42-50) |
| 42   | 0477 130040 | Hebel            | lever             |
| 43   | 9202 002898 | Zyl. Schr.       | cyl. screw        |
| 44   | 9357 200002 | Winkelgelenk     | angle joint       |
| 45   | 0367 130960 | Stange           | rod               |
| 46   | 9231 000388 | 6Kt. Mutter      | hexagonal nut     |
| 47   | 0467 130330 | Winkel           | angle             |
| 48   | 0367 130970 | Kugelbolzen      | ball pin          |
| 49   | 0367 110460 | Hebel            | lever             |
| 50   | 9202 002898 | Zyl. Schr.       | cyl. screw        |
| 51   | 0067 002470 | Haken            | hook              |
| 52   | 0367 130440 | Zugfeder         | spring            |
| 53   | 0367 160430 | Federhaken       | spring hook       |
| 54   | 0367 130140 | Fuehr. Buchse    | guide bushing     |
| 55   | 0068 001830 | Feder            | spring            |
| 56   | 0367 130290 | Arretierbolzen   | retention bolt    |



| Pos. | Teile-Nr.   | Benennung           | Denomination              |
|------|-------------|---------------------|---------------------------|
|      |             | FADENFUEHRUNG       | THREAD GUIDE              |
|      |             | FADENSPANNUNG       | THREAD TENSION            |
| 1    | 0221 110154 | Vorspannung K       | pretension cpl.           |
| 1    |             | (Mit Pos. 2-8)      | (with pos. 2-8)           |
| 2    | 0396 170160 | Fadenfuehrung       | thread guide              |
| 3    | 0221 110160 | Buchse              | bushing                   |
| 4    | 0037 001280 | Fadensp. Scheibe    | thread disc               |
| 5    | 0396 110470 | Druckfeder          | pressure spring           |
| 6    | 0993 411208 | Raendelmutter       | knurled nut               |
| 7    | 0221 110150 | Scheibe             | disc                      |
| 8    | 0396 170170 | Gew. Bolzen         | threaded bolt             |
| 9    | 9231 000377 | 6Kt. Mutter         | hexagonal nut             |
| 10   | 0367 110310 | Fadenfuehrungsblech | thread plate              |
| 11   | 9203 313657 | Senkschr.           | sunk screw                |
| 12   | 0367 110334 | Fadenfuehrung K     | thread guide cpl.         |
| 12   |             | (Mit Pos. 13-15)    | (with pos. 13-15)         |
| 13   | 0367 110333 | Haken K             | hook cpl.                 |
| 14   | 0367 110300 | Fadenf. Koerper     | thread guide part         |
| 15   | 0893 520720 | Gew. Stift          | threaded pin              |
| 16   | 0367 110164 | Fadenfuehrung K     | thread guide cpl.         |
| 16   |             | (Mit Pos. 17-27)    | (with pos. 17-27)         |
| 17   | 0367 110160 | Verstellbuchse      | bushing                   |
| 18   | 0367 110170 | Bolzen              | bolt                      |
| 19   | 0068 004910 | Fadenanz. Feder     | tension spring            |
| 20   | 0381 110043 | Raendelmutter       | knurled nut               |
| 21   | 0367 110290 | Buchse              | bushing                   |
| 22   | 0367 110183 | Deckscheibe V       | cover disc                |
| 23   | 0367 110360 | Scheibe             | washer                    |
| 24   | 0367 110340 | Fadenanz. Rolle     | roller                    |
| 25   | 0367 110350 | Zwischenscheibe     | washer                    |
| 26   | 9357 000060 | Sich. Scheibe       | washer                    |
| 27   | 0993 520940 | Gew. Stift          | threaded pin              |
| 28   | 9205 102158 | Gew. Stift          | threaded pin              |
| 29   | 0767 110064 | Fadensp. Platte K   | thread tension plate cpl. |
| 29   |             | (Mit Pos. 30-54)    | (with pos. 30-54)         |

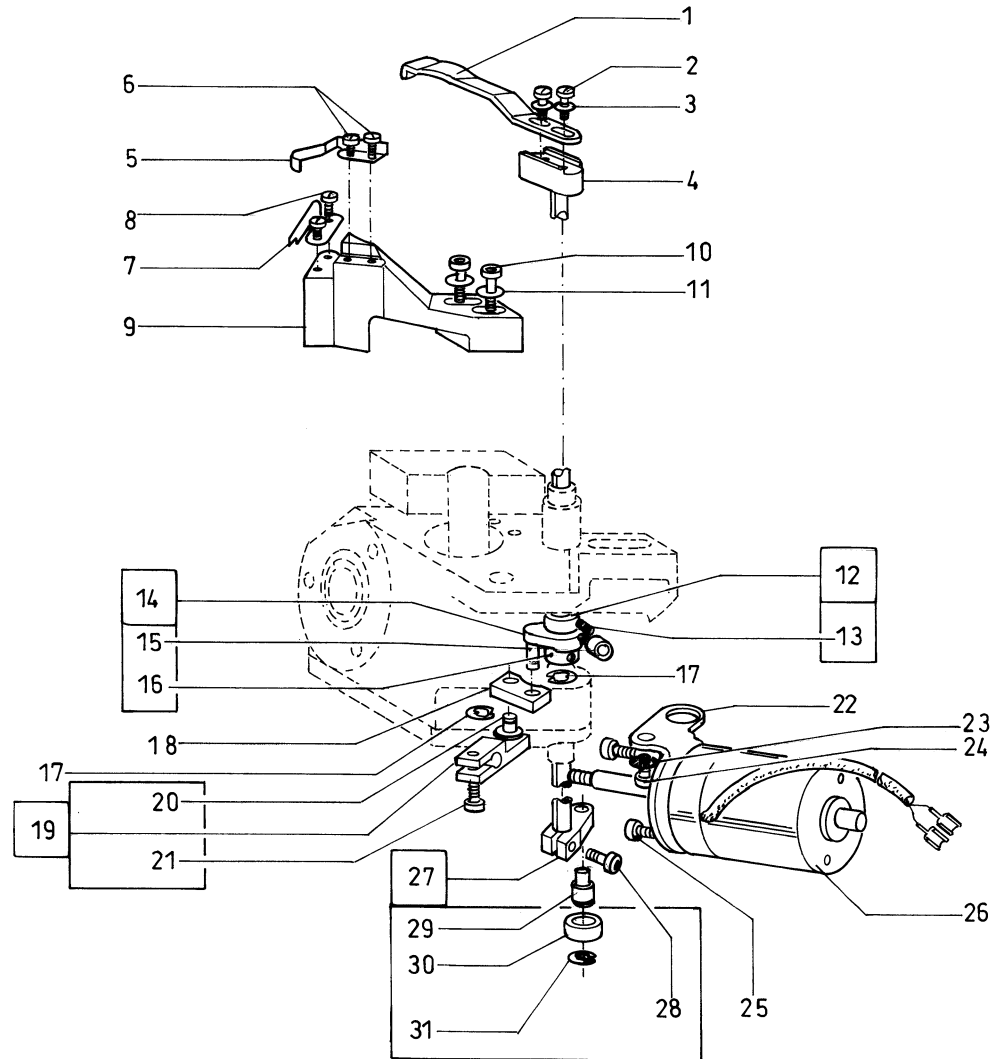
| Pos. | Teile-Nr.   | Benennung            | Denomination   |
|------|-------------|----------------------|----------------|
| 30   | 0367 110580 | Fadenfuehrung        | thread guide   |
| 31   | 0767 110060 | Spannungsplatte      | tension plate  |
| 32   | 0367 110150 | Zughaken             | hook           |
| 33   | 0367 110570 | Kegelst. Feder       | spring         |
| 34   | 0367 110230 | Umlenkstift          | pin            |
| 35   | 0367 110240 | Druckknopf           | pushbutton     |
| 36   | 0367 110560 | Drehfeder            | torsion spring |
| 37   | 0467 110220 | Fadensp. Scheibe     | tension washer |
| 38   | 0016 004010 | Scheibe              | washer         |
| 39   | 0061 001050 | Stegscheibe          | disc           |
| 40   | 0099 004800 | Kegelfeder           | spring         |
| 41   | 0381 110043 | Raendelmutter        | knurled nut    |
| 42   | 9330 000087 | Scheibe              | washer         |
| 43   | 0993 087008 | Halbrd. Schr.        | screw          |
| 44   | 0367 110120 | Fadensp. Bolzen      | tension bolt   |
| 45   | 0767 110050 | Deckel               | cover          |
| 46   | 9401 000016 | Schloss              | lock           |
| 47   | 9231 110038 | 6Kt. Mutter          | hexagonal nut  |
| 48   | 0894 440948 | Zahnscheibe          | washer         |
| 49   | 0767 110080 | Scharnier            | hinge          |
| 50   | 0993 087138 | Halbrd. Schr.        | screw          |
| 51   | 0767 110070 | Winkel               | angle          |
| 52   | 0576 003091 | Schwingmetall Puffer | metal buffer   |
| 53   | 9330 200097 | Scheibe              | washer         |
| 54   | 0994 395110 | Hutmutter            | special nut    |
| 55   | 0367 110380 | Zyl. Stift           | cyl. pin       |
| 56   | 0767 110030 | Zyl. Stift           | cyl. pin       |
| 57   | 0367 110130 | Huelse               | bush           |
| 58   | 9203 313667 | Senkschr.            | sunk screw     |
| 59   | 0367 110370 | Fadenf. Oese         | thread loop    |
| 60   | 9203 313657 | Senkschr.            | sunk screw     |



| Pos. | Teile-Nr.   | Benennung         | Denomination       |
|------|-------------|-------------------|--------------------|
|      |             | GREIFERLAGER K    | HOOK BEARING CPL.  |
| 1    | 0767 150244 | Greiferlager K    | hook bearing cpl.  |
| 1    |             | (Mit Pos. 3-41)   | (with pos. 3-41)   |
| 2    | 0367 150900 | Paszscheibe (0,3) | washer (0,3)       |
| 2    | 0367 150910 | Paszscheibe (0,4) | washer (0,4)       |
| 3    | 0767 150050 | Oelfangring       | ring               |
| 4    | 0767 150060 | Scheibe (0,6)     | washer (0,6)       |
| 5    | 0767 150070 | Scheibe (0,3)     | washer (0,3)       |
| 6    | 9120 010100 | Rillenkugellager  | ball bearing       |
| 7    | 0367 150403 | Stirnrad K        | wheel cpl.         |
| 7    |             | (Mit Pos. 8)      | (with pos. 8)      |
| 8    | 9205 102158 | Gew. Stift        | threaded pin       |
| 9    | 0367 150340 | Greiferwelle      | hook shaft         |
| 10   | 0367 150453 | Zugstange         | pull rod           |
| 10   |             | (Mit Pos. 11-13)  | (with pos. 11-13)  |
| 11   | 0367 150450 | Zugstange         | pull rod           |
| 12   | 0367 150370 | Schwenkhebel      | lever              |
| 13   | 0367 150380 | Bolzen            | bolt               |
| 14   | 0367 150830 | Bolzen            | bolt               |
| 15   | 9041 100015 | Bauwolldocht      | wick               |
| 16   | 0893 520720 | Gew. Stift        | threaded pin       |
| 17   | 0367 150840 | Prisma            | prisma             |
| 18   | 0367 150820 | Exz. Welle        | eccenter shaft     |
| 19   | 9041 100212 | Baumwolldocht     | wick               |
| 20   | 9205 024010 | Gew. Stift        | threaded pin       |
| 21   | 9120 020100 | Rillenkugellager  | ball bearing       |
| 22   | 0367 150193 | Klemmring K       | clamping ring cpl. |
| 22   |             | (Mit Pos. 23)     | (with pos. 23)     |
| 23   | 9202 002908 | Zyl. Schr.        | cyl. screw         |
| 24   | 0999 230518 | Dichtring         | gasket ring        |
| 25   | 0367 350100 | Buchse            | bushing            |
| 26   | 9357 000060 | Sich. Scheibe     | safety disc        |
| 27   | 0367 150360 | Bolzen            | bolt               |
| 28   | 0699 991582 | Pfeifenreiniger   | part               |
| 29   | 0367 120080 | Nippel            | nipple             |

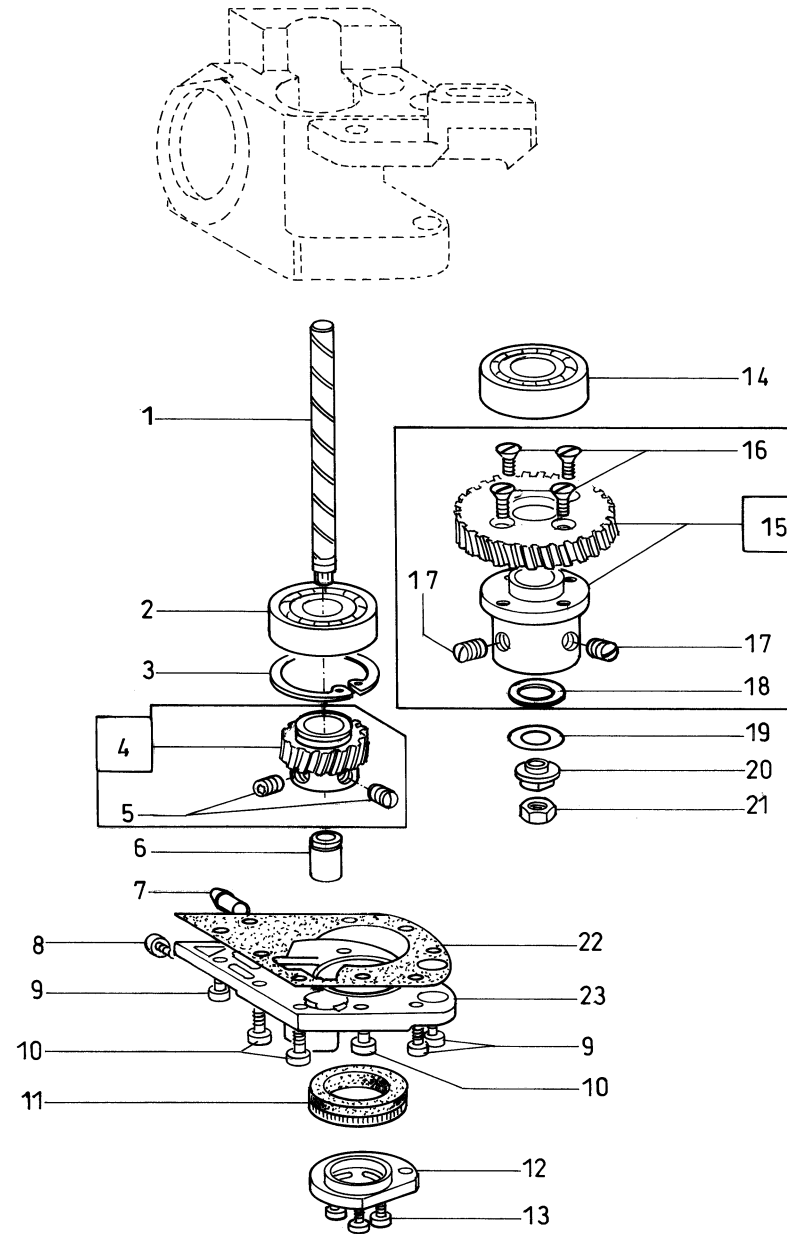
| Pos. | Teile-Nr.   | Benennung        | Denomination   |
|------|-------------|------------------|----------------|
| 30   | 0699 979100 | Schlauch         | hose           |
| 31   | 0367 160320 | Nippel           | nipple         |
| 32   | 0367 160410 | Buchse           | bushing        |
| 33   | 0367 150610 | Greiferlager     | hook bearing   |
| 34   | 9120 010150 | Rillenkugellager | ball bearing   |
| 35   | 0998 881620 | Paszscheibe      | washer         |
| 36   | 0367 150433 | Antr. Welle      | driving shaft  |
| 36   |             | (Mit Pos. 37)    | (with pos. 37) |
| 37   | 9203 313052 | Senkschr.        | sunk screw     |
| 38   | 0998 863300 | O-Ring           | o-ring         |
| 39   | 0367 150330 | Lagerdeckel      | bearing cap    |
| 40   | 9203 313647 | Senkschr.        | sunk screw     |
| 41   | 9205 023620 | Gew. Stift       | threaded pin   |
| 42   | 0367 150490 | Spgh. Luefter    | lifter lever   |
| 43   | 9203 003354 | Zyl. Schr.       | cyl. screw     |





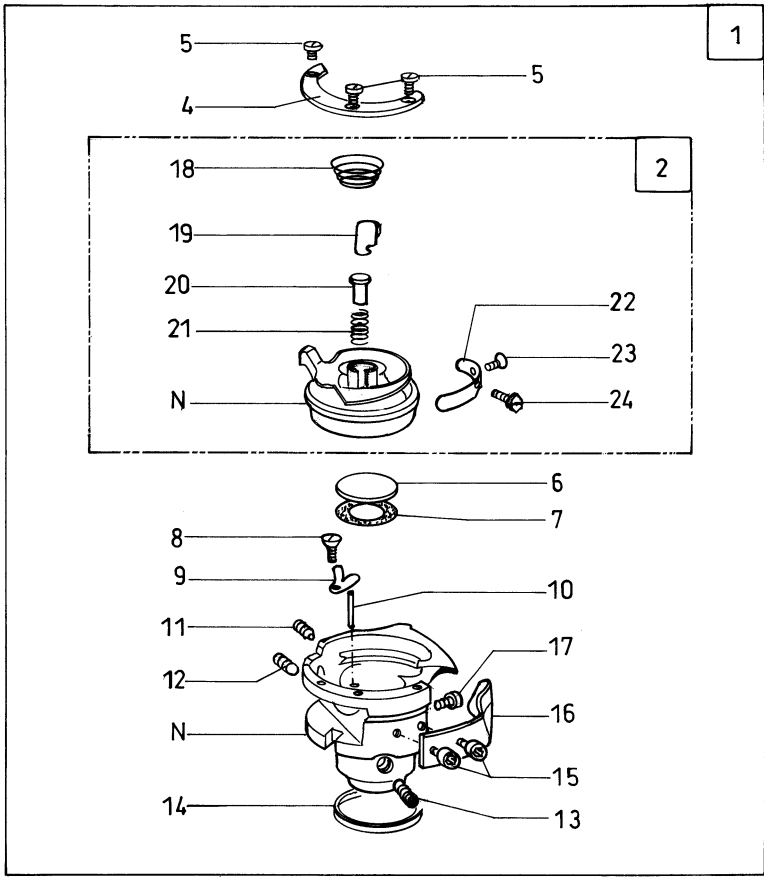
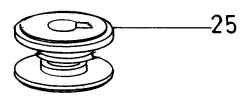
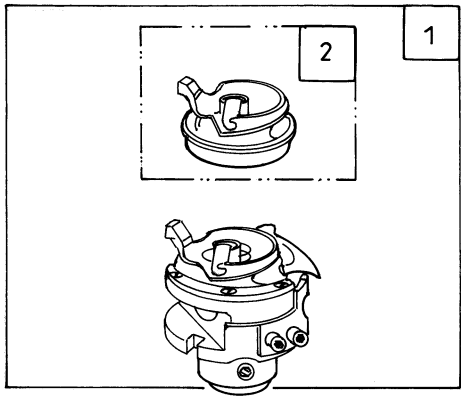
| Pos. | Teile-Nr.   | Benennung         | Denomination       |
|------|-------------|-------------------|--------------------|
|      |             | GREIFERLAGER K    | HOOK BEARING CPL.  |
| 1    | 0367 350070 | Fadenz. Messer    | knife              |
| 2    | 9202 001658 | Zyl. Schr.        | cyl. screw         |
| 3    | 9330 000067 | Scheibe           | washer             |
| 4    | 0367 350083 | Fadenz. Traeger V | carrier cpl.       |
| 5    | 0367 350060 | Klemmfeder        | spring             |
| 6    | 0993 066540 | Zyl. Schr.        | cyl. screw         |
| 7    | 0367 350050 | Messer            | knife              |
| 8    | 0993 066540 | Zyl. Schr.        | cyl. screw         |
| 9    | 0367 350040 | Messertraeger     | knife bearer       |
| 10   | 9202 002517 | Zyl. Schr.        | cyl. screw         |
| 11   | 9330 000097 | Scheibe           | washer             |
| 12   | 0367 350113 | Stelling V        | adj. ring cpl.     |
| 12   |             | (Mit Pos. 13)     | (with pos. 13)     |
| 13   | 9205 102158 | Gew. Stift        | threaded pin       |
| 14   | 0367 350123 | Hebel K           | lever cpl.         |
| 14   |             | (Mit Pos. 15,16)  | (with pos. 15,16)  |
| 15   | 9202 002088 | Zyl. Schr.        | cyl. screw         |
| 16   | 0067 351680 | Bolzen            | bolt               |
| 17   | 9357 000060 | Sich. Scheibe     | safety disc        |
| 18   | 0367 350130 | Zugstange         | traction rod       |
| 19   | 0367 350143 | Kloben K          | block cpl.         |
| 19   |             | (Mit Pos. 20, 21) | (with pos. 20, 21) |
| 20   | 0067 351680 | Bolzen            | bolt               |
| 21   | 9202 002088 | Zyl. Schr.        | cyl. screw         |
| 22   | 0367 350150 | Magnettraeger     | magnet carrier     |
| 23   | 0894 450388 | Faecherscheibe    | disc               |
| 24   | 9202 002887 | Zyl. Schr.        | cyl. screw         |
| 25   | 9202 002068 | Zyl. Schr.        | cyl. screw         |
| 26   | 0999 201573 | Magnet GS Hub     | magnet             |
| 27   | 0367 350163 | Hebel K           | lever cpl.         |
| 27   |             | (Mit Pos. 28-31)  | (with pos. 28-31)  |
| 28   | 9202 002088 | Zyl.Schr.         | cyl. screw         |
| 29   | 0367 350170 | Bolzen            | bolt               |
| 30   | 0767 350010 | Rolle             | roller             |

| Pos. | Teile-Nr.   | Benennung     | Denomination |
|------|-------------|---------------|--------------|
| 31   | 9357 000050 | Sich. Scheibe | safety disc  |



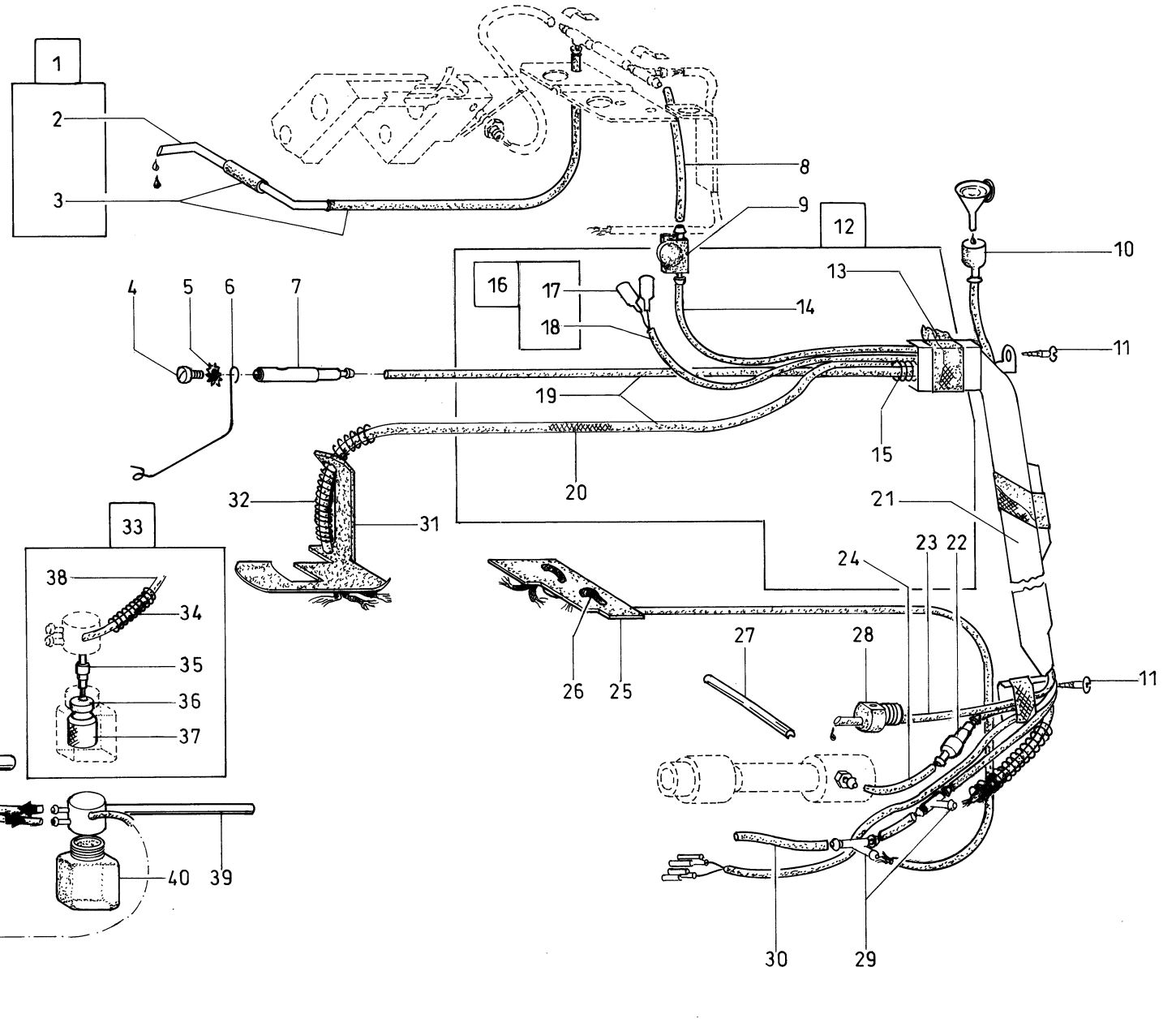
| Pos. | Teile-Nr.   | Benennung        | Denomination              |
|------|-------------|------------------|---------------------------|
|      |             | GREIFERLAGER K   | HOOK BEARING CPL.         |
| 1    | 0367 150530 | Spindel          | spindle                   |
| 2    | 9120 010100 | Rillenkugellager | ball bearing              |
| 3    | 9353 000198 | Sich. Ring       | safety ring               |
| 4    | 0367 150403 | Stirnrad K       | whell cpl.                |
| 4    |             | (Mit Pos. 5)     | (with pos. 5)             |
| 5    | 9205 102158 | Gew. Stift       | threaded pin              |
| 6    | 0367 150770 | Buchse           | bushing                   |
| 7    | 0367 150550 | Nippel           | nipple                    |
| 8    | 9203 003028 | Zyl. Schr.       | cyl. screw                |
| 9    | 9202 002068 | Zyl. Schr.       | cyl. screw                |
| 10   | 9202 002088 | Zyl. Schr.       | cyl. screw                |
| 11   | 0998 859400 | Simmerring       | sealing ring              |
| 12   | 0367 350180 | Kurvenscheibe    | cam disc                  |
| 13   | 9202 002077 | Zyl. Schr.       | cyl. screw                |
| 14   | 9120 010100 | Rillenkugellager | ball bearing              |
| 15   | 0367 150413 | Stirnrad         | wheel                     |
| 15   |             | (Mit Pos. 16-18) | (with pos. 16-18)         |
| 16   | 9203 313047 | Senkschr.        | sunk screw                |
| 17   | 9205 023940 | Gew. Stift       | threaded pin              |
| 18   | 0998 860530 | O-Ring           | o-ring                    |
| 19   | 0933 000587 | Tellerfeder      | belleville spring wascher |
| 20   | 0367 150540 | Mutter           | nut                       |
| 21   | 0992 023820 | 6Kt. Mutter      | hexagonal nut             |
| 22   | 0367 150590 | Dichtung         | gasket                    |
| 23   | 0367 150580 | Deckel           | cover                     |

| Pos. | Teile-Nr. | Benennung | Denomination |
|------|-----------|-----------|--------------|
|------|-----------|-----------|--------------|



| Pos. | Teile-Nr.   | Benennung          | Denomination        |
|------|-------------|--------------------|---------------------|
|      |             | GREIFER            | HOOK                |
| 1    | 0767 150294 | Greifer K          | hook cpl.           |
| 1    |             | (Mit Pos. 2, 4-17) | (with pos. 2, 4-17) |
| 2    | 0767 150824 | Spulengehaeuse V   | hook housing cpl.   |
| 13   |             | (Mit Pos. 18-24)   | (with pos. 18-24)   |
| 3    | 0767 150260 | Spule              | bobbin              |
| 4    | 0467 150040 | Deckring           | cover ring          |
| 5    | 0992 016580 | Zyl. Schr.         | cyl. screw          |
| 6    | 0367 150240 | Deckel             | cover               |
| 7    | 0998 860470 | O-Ring             | o-ring              |
| 8    | 9203 211830 | Li.-Senkschr.      | screw               |
| 9    | 0467 150130 | Abdeckblech        | cover plate         |
| 10   | 0467 150030 | Oelrohr            | oil pipe            |
| 11   | 0993 940758 | Gew. Stift         | threaded pin        |
| 12   | 9205 023043 | Gew. Stift         | threaded pin        |
| 13   | 0992 023810 | Gew. Stift         | threaded pin        |
| 14   | 0367 150220 | Ring               | ring                |
| 15   | 9202 001658 | Zyl. Schr.         | cyl. screw          |
| 16   | 0467 150230 | Nadelschutz        | needle protect      |
| 17   | 9202 001653 | Zyl. Schr.         | cyl. screw          |
| 18   | 0367 150270 | Kegelstumpffeder   | spring              |
| 19   | 0467 150070 | Spgh. Klappe       | flap                |
| 20   | 0068 001840 | Druckstift         | pin                 |
| 21   | 0068 001830 | Feder              | spring              |
| 22   | 0467 150120 | Spannungsfeder     | tension spring      |
| 23   | 0992 023577 | Li. Senkschr       | screw               |
| 24   | 0992 023560 | Li. Senkschr.      | screw               |
| 25   | 0767 150260 | Spule              | bobbin              |

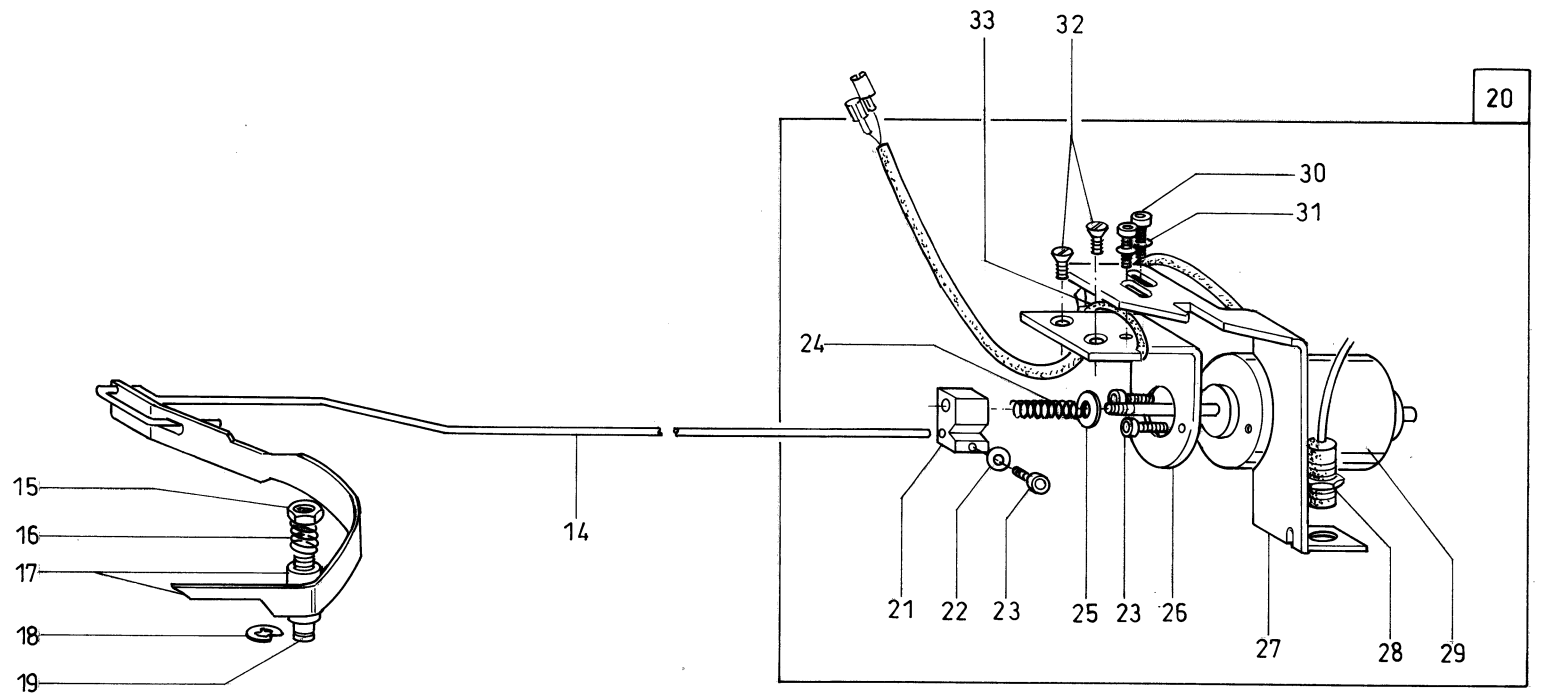
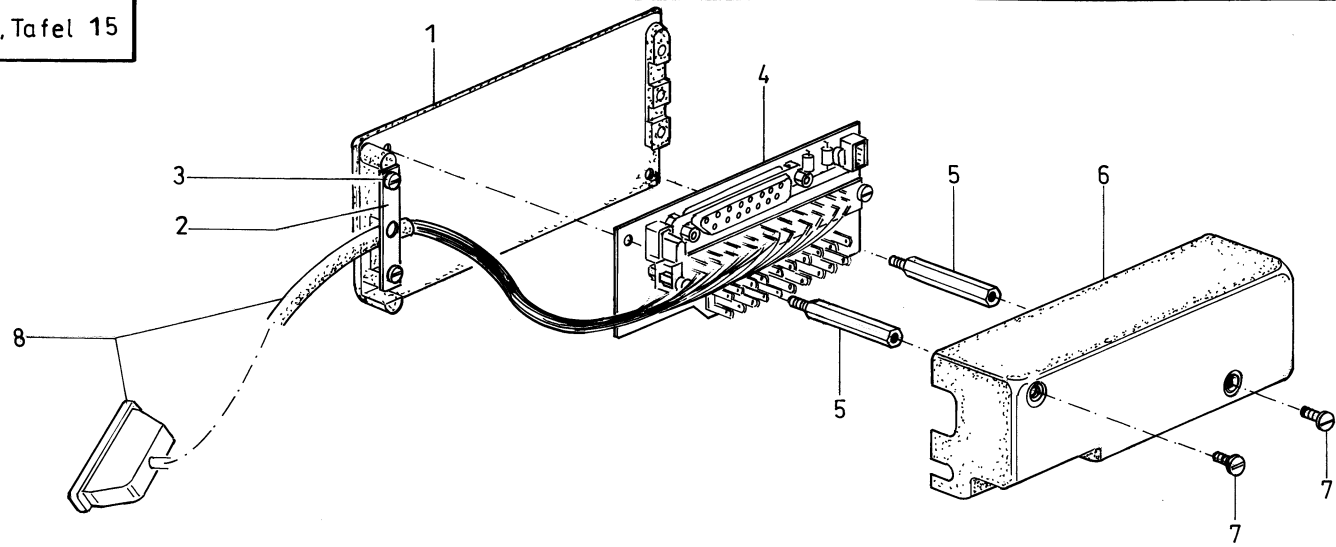
| Pos. | Teile-Nr. | Benennung | Denomination |
|------|-----------|-----------|--------------|
|------|-----------|-----------|--------------|



| Pos. | Teile-Nr.   | Benennung                                   | Denomination                                 |
|------|-------------|---|--|
|      |             | OELPLAN                                     | OIL PLAN                                     |
| 1    | 0367 100593 | Oelrohr K<br>(Mit Pos. 2, 3)                | oil pipe cpl.<br>(with pos. 2, 3)            |
| 2    | 0367 100260 | Oelrohr                                     | oil pipe                                     |
| 3    | 0699 979100 | Schlauch                                    | hose   |
| 4    | 9203 003957 | Zyl. Schr.                                  | cyl. screw                                   |
| 5    | 0894 450378 | Faecherscheibe                              | disc   |
| 6    | 0367 100390 | Federbuegel                                 | spring bow                                   |
| 7    | 0367 100170 | Oelnippel                                   | oil nipple                                   |
| 8    | 0367 100610 | Oelschlauch                                 | oil hose                                     |
| 9    | 0367 310180 | Schauglas                                   | inspektion glass                             |
| 10   | 0367 100250 | Einfuelltrichter                            | funnel                                       |
| 11   | 0894 582430 | Senkblechschr.                              | screw  |
| 12   | 0367 100243 | Schlauchhalter K<br>(Mit Pos. 13-16, 19-24) | hose holder cpl.<br>(with pos. 13-16, 19-24) |
| 13   | 9840 791001 | Isolierband                                 | scotch                                       |
| 14   | 0699 979100 | Schlauch 5,0LW                              | hose   |
| 15   | 0467 100360 | Stuetzfeder                                 | spring                                       |
| 16   | 0367 360123 | Leitung K<br>(Mit Pos. 17, 18)              | cable cpl.<br>(with pos. 17, 18)             |
| 17   | 9840 111003 | Flachst. H.- Band                           | tab  |
| 18   | 9840 304003 | Leitung                                     | cable  |
| 19   | 0699 979104 | Schlauch 2,5 LW                             | hose   |
| 20   | 9041 100212 | Baumwolldocht                               | oil wick, round                              |
| 21   | 0367 100240 | Schutzblech                                 | guard plate                                  |
| 22   | 0999 220710 | Ventil                                      | valve  |
| 23   | 0699 979104 | Schlauch 2,5 LW                             | hose   |
| 24   | 0699 979100 | Schlauch 5,0 LW                             | hose   |
| 25   | 0467 100390 | Oelkissen                                   | oil satchel                                  |
| 26   | 9041 100212 | Baumwolldocht                               | oil wick, round                              |
| 27   | 0296 001543 | Lueftungsrohr V                             | pipe cpl.                                    |
| 28   | 0367 150140 | Stopfen                                     | plug   |
| 29   | 0367 100190 | Abzweigrohr                                 | pipe   |
| 30   | 0367 150700 | Schlauch                                    | hose   |
| 31   | 0467 100410 | Oelkissen                                   | oil satchel                                  |

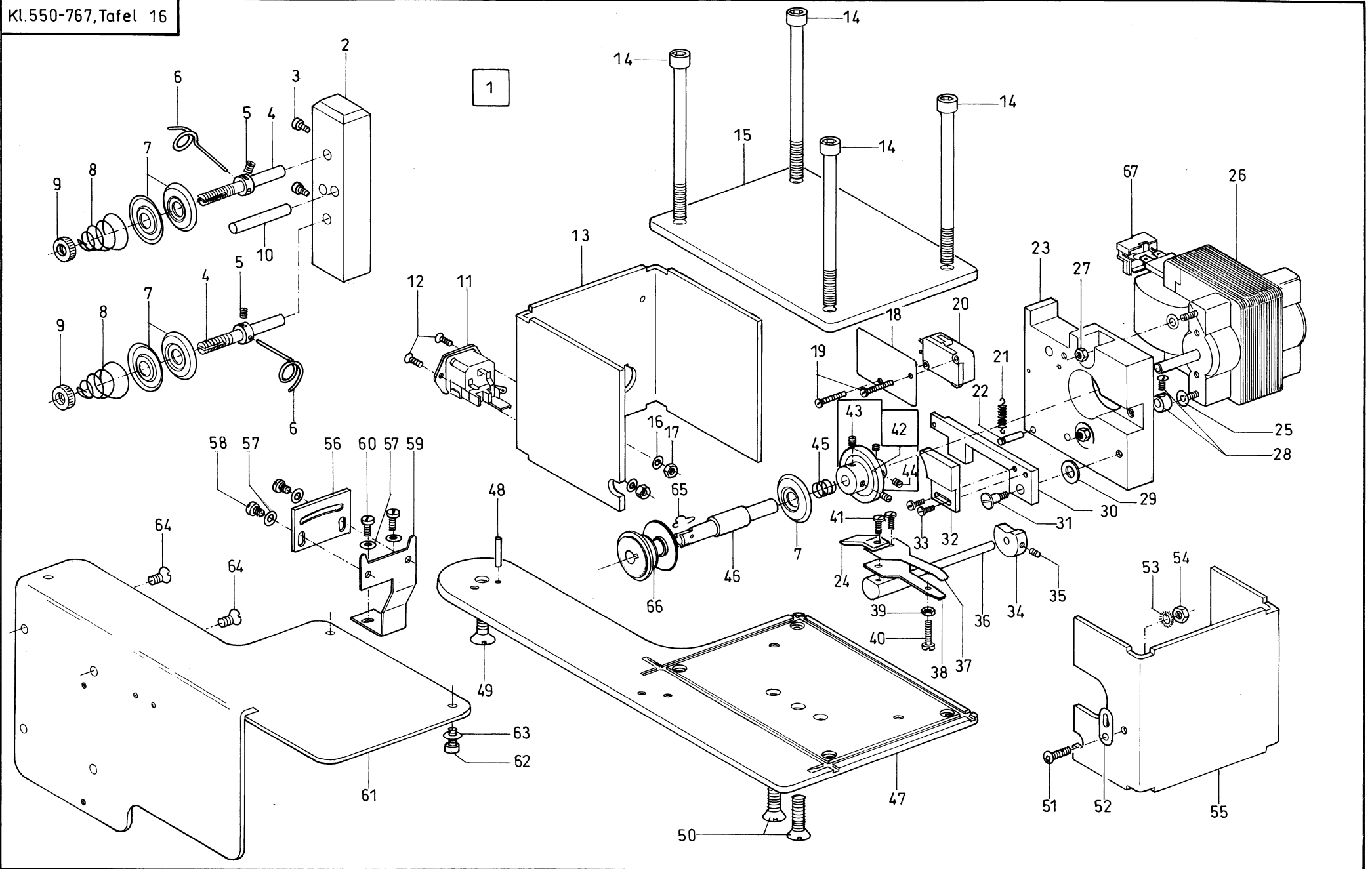
| Pos. | Teile-Nr.   | Benennung                         | Denomination                       |
|------|-------------|-----------------------------------|------------------------------------|
| 32   | 0367 100300 | Druckfeder                        | pressure spring                    |
| 33   | 0367 150973 | Oelschlauch K<br>(Mit Pos. 35-38) | oil hose cpl.<br>(with pos. 35-38) |
| 34   | 0367 151030 | Stuetzfeder                       | spring                             |
| 35   | 0999 220710 | Ventil                            | valve                              |
| 36   | 0367 151050 | Huelse                            | bush                               |
| 37   | 0367 151040 | Filtertopf                        | pot                                |
| 38   | 0699 979100 | Schlauch                          | hose                               |
| 39   | 0367 150570 | Oelrohr                           | oil pipe                           |
| 40   | 0999 190245 | Plastikflasche                    | plastic bottle                     |
| 41   | 9202 003187 | Zyl. Schr.                        | cyl. screw                         |
| 42   | 0367 150460 | Exz. Buchse                       | eccenter bushing                   |
| 43   | 0367 150980 | Oelschlauch                       | oil hose                           |
| 44   | 0367 150120 | Welle                             | shaft                              |
| 45   | 0367 150850 | Stuetzfeder                       | spring                             |
| 46   | 0367 150470 | Scheibe                           | washer                             |
| 47   | 0767 150234 | Filter K<br>(Mit Pos. 48-54)      | filter cpl.<br>(with pos. 48-54)   |
| 48   | 0767 150230 | Filtertasche                      | filtering bag                      |
| 49   | 0367 151040 | Filtertopf                        | filter pot                         |
| 50   | 0367 151050 | Huelse                            | bush                               |
| 51   | 0999 220710 | Ventil                            | valve                              |
| 52   | 9840 121002 | Kabelbinder                       | cable band                         |
| 53   | 0699 979100 | Schlauch                          | hose                               |
| 54   | 0797 002214 | T-Verbindung                      | coupling                           |





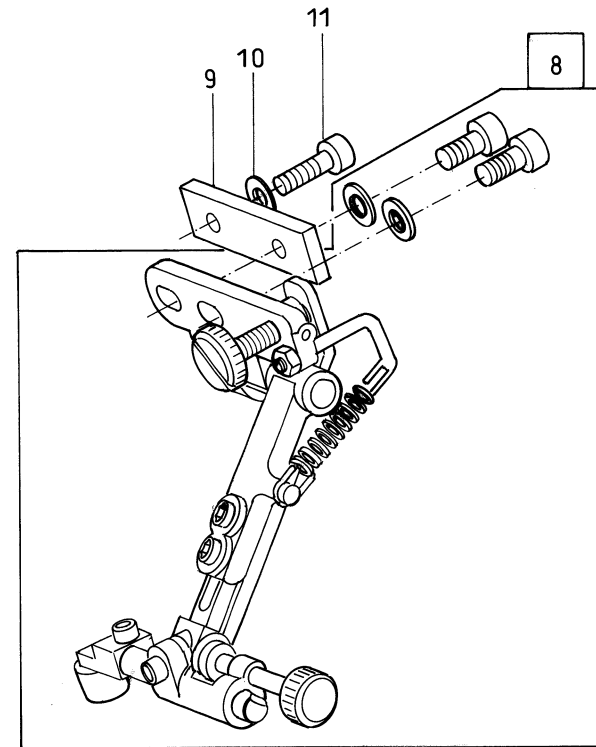
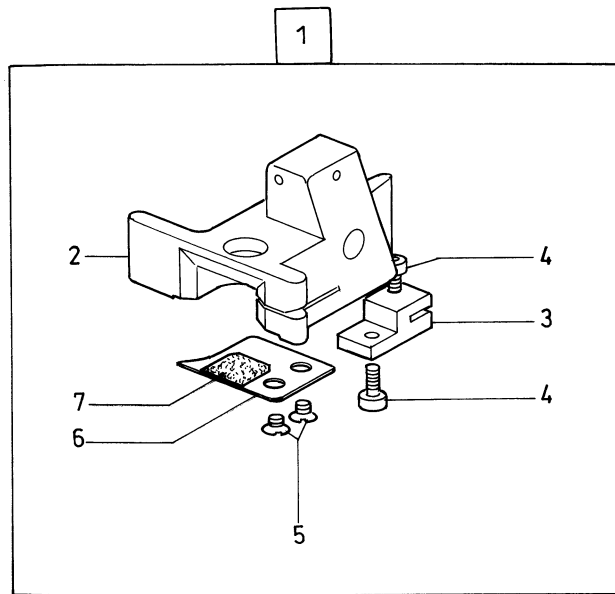
| Pos. | Teile-Nr.   | Benennung        | Denomination          |
|------|-------------|------------------|-----------------------|
|      |             | LUEFTUNG K       | VENTILATION CPL.      |
| 1    | 0767 490010 | Gehaeuse         | housing               |
| 2    | 0467 360260 | Leiste           | reglet                |
| 3    | 9203 003667 | Zyl. Schr.       | cyl. screw            |
| 4    | 9850 767006 | Leiterplatte     | printed circuit board |
| 5    | 0767 490020 | Bolzen           | bolt                  |
| 6    | 0767 490030 | Deckel           | cover                 |
| 7    | 9203 003037 | Zyl. Schr.       | cyl. screw            |
| 8    | 9870 767006 | Leitung K        | cable cpl.            |
| 14   | 0767 110100 | Haken            | hook                  |
| 15   | 9231 000377 | 6Kt. Mutter      | hexagonal nut         |
| 16   | 0296 110030 | Spannungsfeder   | spring                |
| 17   | 0367 110633 | Ausloesehebel V  | release lever cpl.    |
| 18   | 0996 070088 | Sich. Scheibe    | safety washer         |
| 19   | 0367 110610 | Bolzen           | bolt                  |
| 20   | 0767 350304 | Lueftung K       | ventilation cpl.      |
| 20   |             | (Mit Pos. 21-31) | (with pos. 21-31)     |
| 21   | 0367 110640 | Kloben           | block                 |
| 22   | 9330 000087 | Scheibe          | washer                |
| 23   | 9202 002068 | Zyl. Schr.       | cyl. screw            |
| 24   | 0396 350840 | Druckfeder       | pressure spring       |
| 25   | 0998 881020 | Paszscheibe      | washer                |
| 26   | 0767 490120 | Magnettraeger    | magnet bearer         |
| 27   | 0767 490110 | Winkel           | angle                 |
| 28   | 9815 710100 | Induktivgeber    | proximity switch      |
| 29   | 0999 201517 | Magnet           | magnet                |
| 30   | 9202 002508 | Zyl. Schr.       | cyl. screw            |
| 31   | 9330 200097 | Scheibe          | washer                |
| 32   | 9203 313977 | Senkschr.        | sunk washer           |
| 33   | 9840 121001 | Kabelbinder      | cable clamp           |

| Pos. | Teile-Nr. | Benennung | Denomination |
|------|-----------|-----------|--------------|
|------|-----------|-----------|--------------|



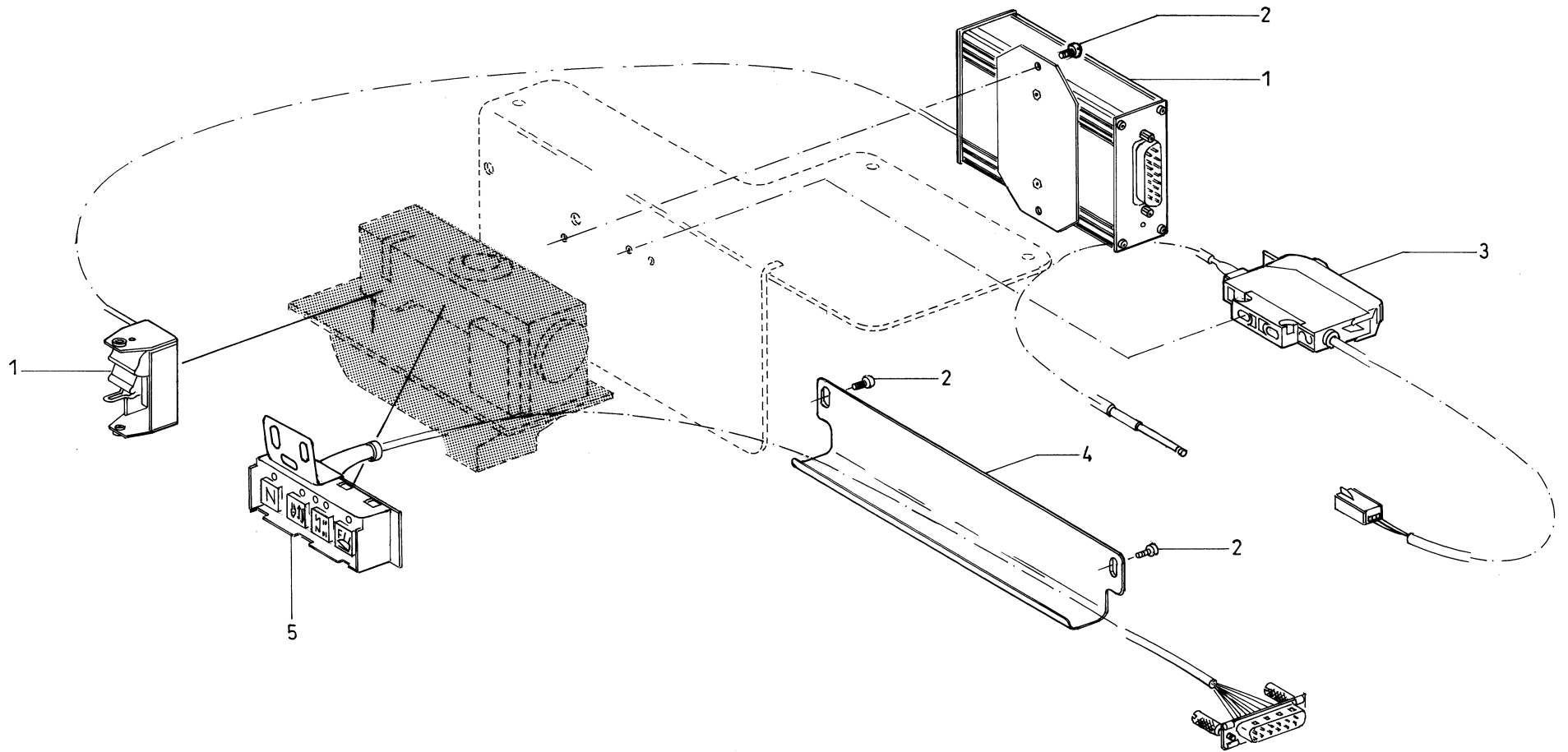
| Pos. | Teile-Nr.   | Benennung                   | Denomination                    |
|------|-------------|-----------------------------|---------------------------------|
|      |             | SPULER                      | WINDER                          |
| 1    | 0767 170104 | Spuler K<br>(Mit Pos. 2-65) | winder cpl.<br>(with pos. 2-65) |
| 2    | 0504 170820 | Staender                    | stand                           |
| 3    | 9203 003667 | Zyl. Schr.                  | cyl. screw                      |
| 4    | 0097 002830 | Spannungsbolzen             | tension bolt                    |
| 5    | 0992 001110 | Gew. Stift                  | threaded pin                    |
| 6    | 0097 002840 | Fadenoese                   | thread ring                     |
| 7    | 0467 110220 | Fadenspannungsscheibe       | thread tension disc             |
| 8    | 0037 001290 | Fadensp. Feder              | thread tension spring           |
| 9    | 0992 002377 | Raendelmutter               | knurled nut                     |
| 10   | 9301 102243 | RGKPF Zyl. Stift            | cyl. pin                        |
| 11   | 9825 190005 | Stecker, Netz               | plug                            |
| 12   | 9203 313077 | Senkschr.                   | sunk screw                      |
| 13   | 0767 170080 | Verkleidung                 | sheathing                       |
| 14   | 9202 003027 | Zyl. Schr.                  | cyl. screw                      |
| 15   | 0504 170740 | Deckel                      | cover                           |
| 16   | 0894 450348 | Faecherscheibe              | disc                            |
| 17   | 9231 110037 | 6Kt. Mutter                 | hexagonal nut                   |
| 18   | 9815 510049 | Isolierplatte               | insulating plate                |
| 19   | 9203 003097 | Zyl. Schr.                  | cyl. screw                      |
| 20   | 9815 510026 | Mikroschalter               | micro switch                    |
| 21   | 0697 000274 | Zugfeder                    | pulling spring                  |
| 22   | 0294 000888 | Federstift                  | pin                             |
| 23   | 0506 170030 | Lagerbock                   | fit bracket                     |
| 24   | 0767 170030 | Winkel                      | angle                           |
| 25   | 9330 900097 | Scheibe                     | washer                          |
| 26   | 9800 190001 | Motor, Spaltpol             | motor                           |
| 27   | 9800 900097 | Thermoschalter o. Abb.      | switch not illustr.             |
| 27   | 9231 110057 | 6Kt. Mutter                 | hexagonal nut                   |
| 28   | 0996 120367 | Stelling                    | adj. ring                       |
| 29   | 0998 881580 | Paszscheibe                 | washer                          |
| 30   | 0504 170800 | Klinke                      | catch                           |
| 31   | 0993 991700 | Fl. Kopfschr.               | screw                           |
| 32   | 0504 170810 | Bremse                      | brake                           |

| Pos. | Teile-Nr.     | Benennung         | Denomination       |
|------|---------------|-------------------|--------------------|
| 33   | 9203 003067   | Zyl. Schr.        | cyl. screw         |
| 34   | 0504 170790   | Schaltnocke       | switching cam      |
| 35   | 9205 101868   | Gew. Stift        | threaded pin       |
| 36   | 0266 170030   | Ausloesewelle     | shaft              |
| 37   | 0767 170040   | Schaltblech       | switching plate    |
| 38   | 0767 170020   | Hebel             | lever              |
| 39   | 9231 110037   | 6Kt. Mutter       | hexagonal nut      |
| 40   | 9203 003095   | Zyl. Schr.        | cyl. screw         |
| 41   | 9204 201658   | Linsenschr.       | screw              |
| 42   | 0504 170783   | Spulerrad V       | winder wheel cpl.  |
| 42   |               | (Mit Pos. 43, 44) | (with pos. 43, 44) |
| 43   | 9205 101868   | Gew. Stift        | threaded pin       |
| 44   | 9205 101848   | Gew. Stift        | threaded pin       |
| 45   | 0211 050410 B | Druckfeder        | pressure spring    |
| 46   | 0767 170010   | Spulerwelle       | winder shsft       |
| 47   | 0504 170730   | Platte            | plate              |
| 48   | 9305 001650   | Spannstift        | dowel pin          |
| 49   | 9203 314277   | Senkschr.         | sunk screw         |
| 50   | 9203 314267   | Senkschr.         | sunk screw         |
| 51   | 9204 201958   | Linsenschr.       | screw              |
| 52   | 0271 000260   | Abreissmesser     | tear off knife     |
| 53   | 0894 450378   | Faecherscheibe    | disc               |
| 54   | 9231 110107   | 6Kt. Mutter       | hexagonal nut      |
| 55   | 0504 170760   | Verkleidung       | panelling          |
| 56   | 0504 170720   | Leitblech         | plate              |
| 57   | 9330 000087   | Scheibe           | washer             |
| 58   | 9203 003637   | Zyl. Schr.        | cyl. screw         |
| 59   | 0104 170050   | Leitblechhalter   | plate holder       |
| 60   | 9203 003657   | Zyl. Schr.        | cyl. screw         |
| 61   | 0767 170090   | Winkel            | angle              |
| 62   | 9202 002478   | Zyl. Schr.        | cyl. screw         |
| 63   | 9330 200107   | Scheibe           | washer             |
| 64   | 9203 314257   | Senkschr.         | sunk screw         |
| 65   | 0367 170040   | Klemmfeder        | spring             |
| 66   | 0767 150260   | Spule             | bobbin             |
| 67   | 9800 190002   | Thermoschalter    | switch             |



| Pos. | Teile-Nr.   | Benennung         | Denomination     |
|------|-------------|-------------------|------------------|
|      |             | NAEHGUTANSCHLAG   | FABRIC STOP      |
| 1    | N800 005700 | Naehgutanschlag K | fabric stop cpl. |
| 1    |             | (Mit Pos. 2-7)    | (with pos. 2-7)  |
| 2    | N800 005701 | Naehgutanschlag   | fabric stop      |
| 3    | N800 005703 | Kloben            | block            |
| 4    | 9202 002068 | Zyl. Schr.        | cyl. screw       |
| 5    | 9203 313037 | Senkschr          | sunk screw       |
| 6    | N800 005704 | Blech             | plate            |
| 7    | 0805 410970 | Codierfolie       | code foil        |
| 8    | N800 075006 | Lineal K          | ruler cpl.       |
| 9    | N800 005702 | Lasche            | shackle          |
| 10   | 9330 200107 | Scheibe           | washer           |
| 11   | 9202 002508 | Zyl. Schr.        | cyl. screw       |

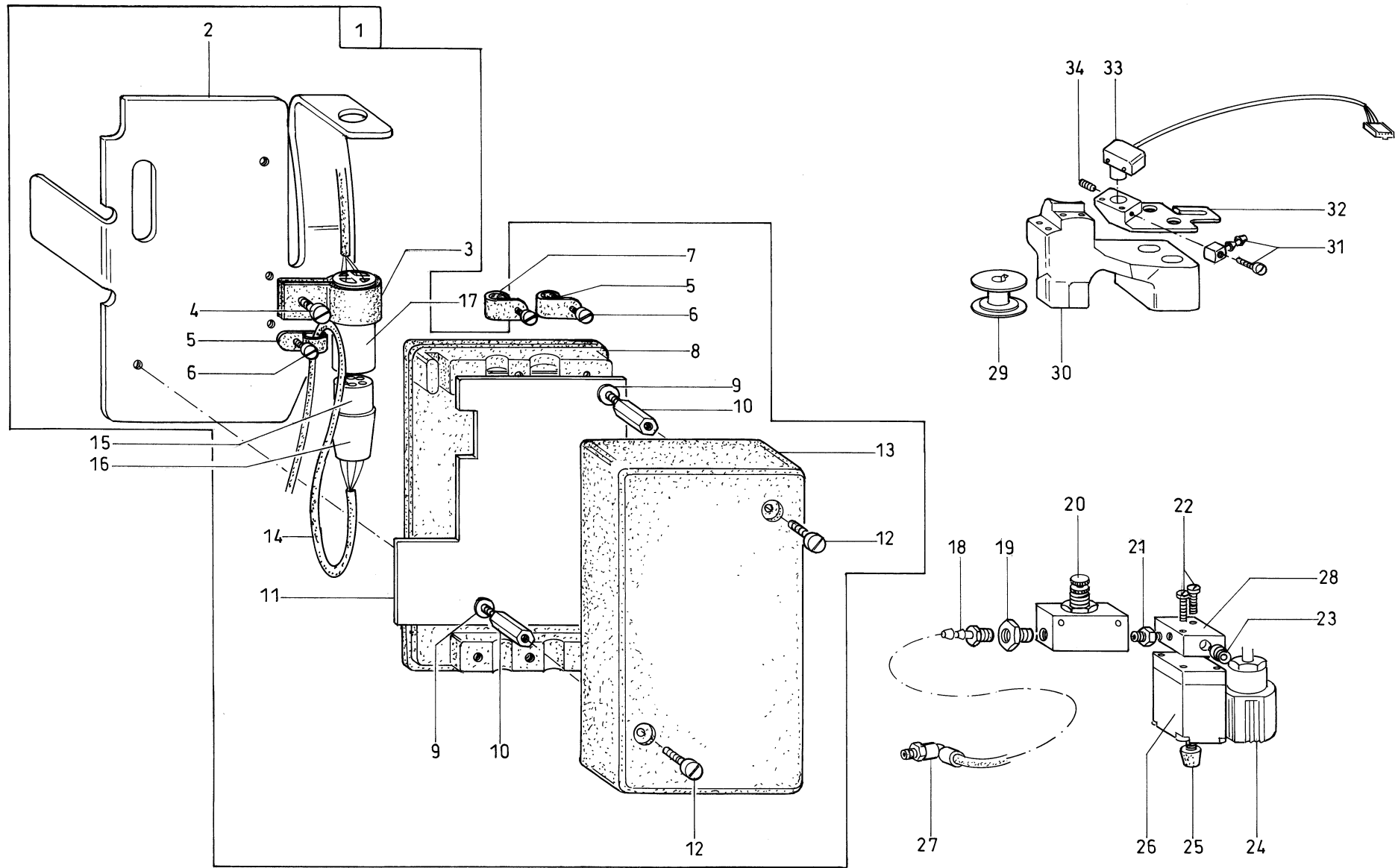
| Pos. | Teile-Nr. | Benennung | Denomination |
|------|-----------|-----------|--------------|
|------|-----------|-----------|--------------|



| Pos. | Teile-Nr.   | Benennung           | Denomination                   |
|------|-------------|---------------------|--------------------------------|
|      |             | ELEKTROTEILE        | ELECTROPARTS                   |
| 1    | 9835 200304 | Fadensp. Messgeraet | thread tension measuring instr |
| 2    | 9217 300528 | Linsenschr. MLS     | screw                          |
| 3    | 9815 920015 | Lichtschrinke K     | light barrier cpl.             |
| 4    | 0467 100330 | Schutzblech         | guard plate                    |
| 5    | 9880 767003 | Taster K            | feel cpl.                      |

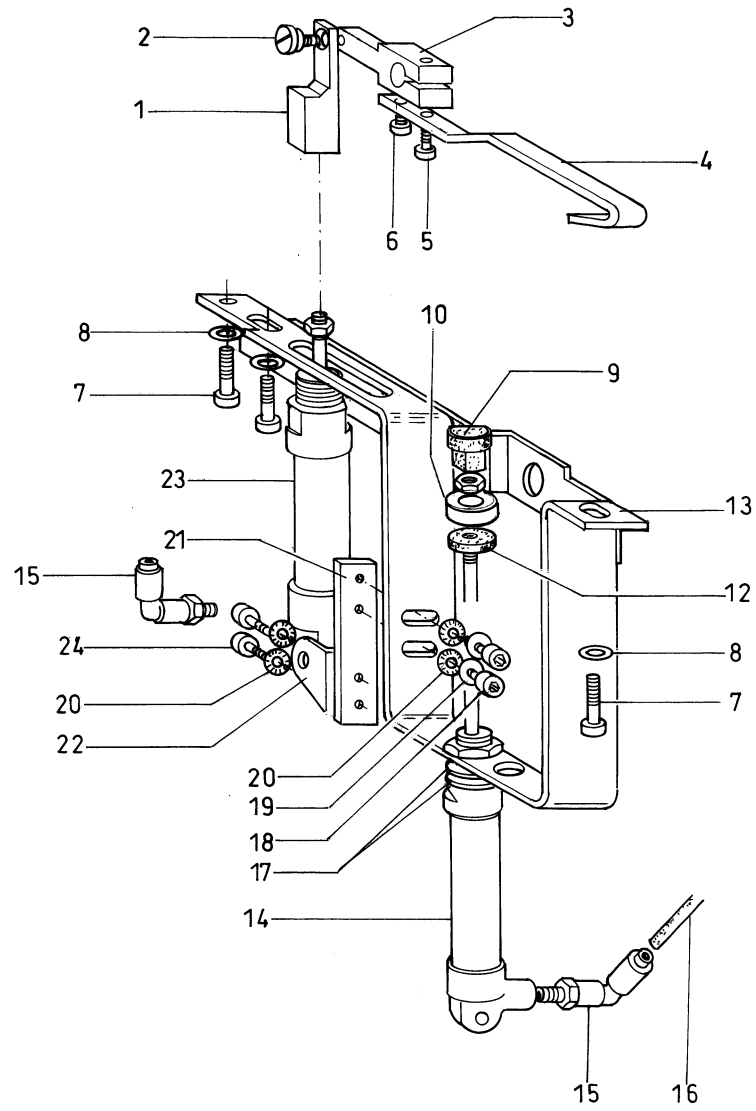
| Pos. | Teile-Nr. | Benennung | Denomination |
|------|-----------|-----------|--------------|
|------|-----------|-----------|--------------|





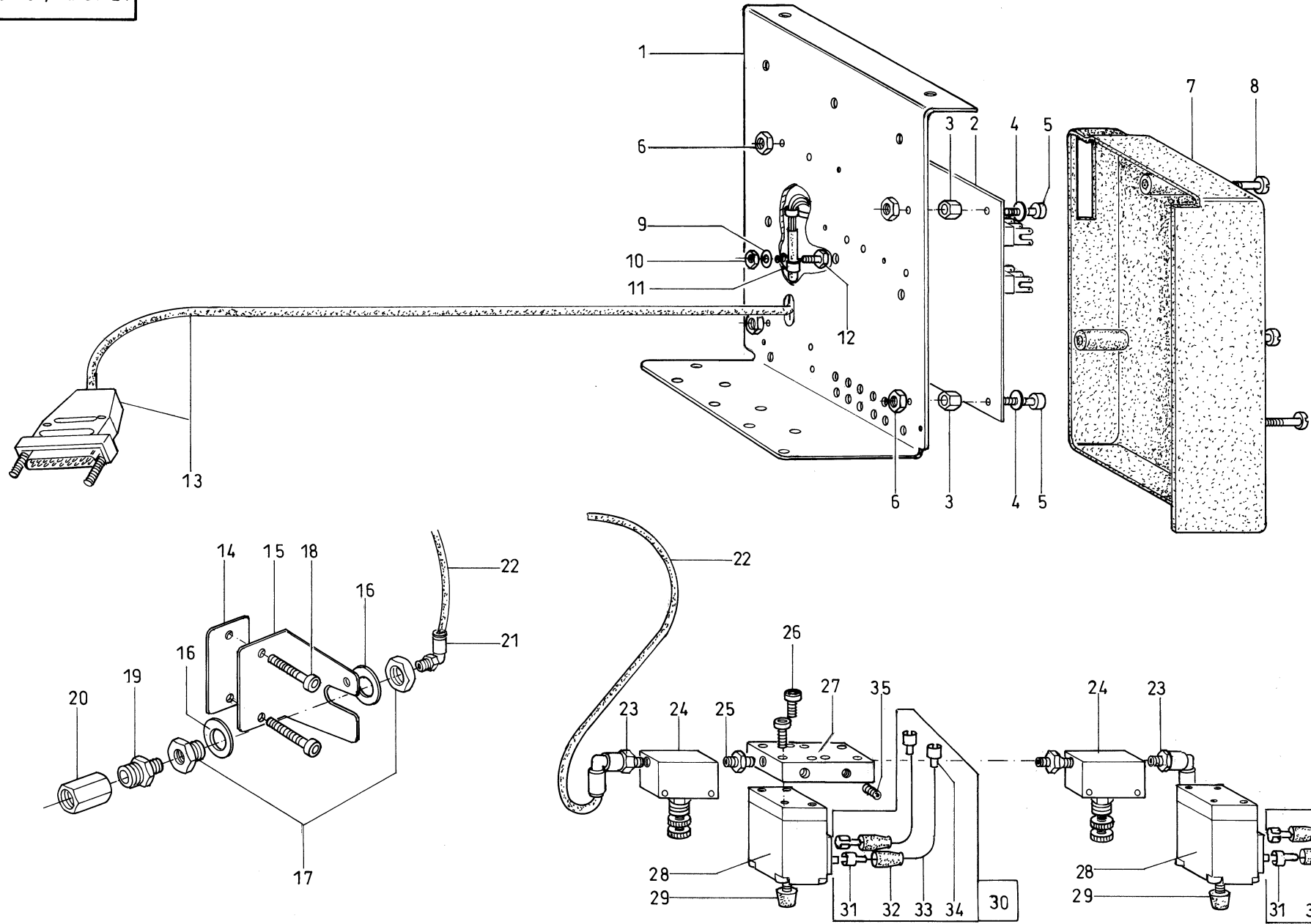
| Pos. | Teile-Nr.   | Benennung             | Denomination             |
|------|-------------|-----------------------|--------------------------|
|      |             | RESTFADENWAECHTER RFW | REMAINING THREAD MONITOR |
| 1    | 9850 767008 | Steuerung K           | control cpl.             |
| 10   |             | (Mit Pos.2-14)        | (with pos. 2-14)         |
| 2    | 0767 350060 | Halter                | holder                   |
| 3    | 0917 030510 | Schelle               | clip                     |
| 4    | 9202 002478 | Zyl. Schr.            | cyl. screw               |
| 5    | 9840 120025 | Bef. Schelle          | clip                     |
| 6    | 9203 003647 | Zyl. Schr.            | cyl. screw               |
| 7    | 9840 120026 | Bef. Schelle          | clip                     |
| 8    | 0767 350050 | Gehaeuse              | housing                  |
| 9    | 9343 000080 | Scheibe               | washer                   |
| 10   | 0467 360250 | Bolzen                | bolt                     |
| 11   | 9850 767009 | Leiterplatte K        | printed card cpl.        |
| 12   | 9203 003037 | Zyl. Schr.            | cyl. screw               |
| 13   | 0767 360010 | Deckel                | cover                    |
| 14   | 9870 767015 | Leitung K             | cable cpl.               |
| 15   | 0999 201313 | Buchse                | bushing                  |
| 16   | 0999 201312 | Buchsengehaeuse       | bushing housing          |
| 17   | 0999 201311 | Steckergehaeuse       | plug housing             |
| 18   | 0999 240389 | Schlauchtuelle        | socket                   |
| 19   | 9792 001030 | Reduziernippel        | reducing nipple          |
| 20   | 9710 920120 | Ventil, Drossel       | valve                    |
| 21   | 0999 240302 | Doppelnippel          | double nipple            |
| 22   | 9202 002478 | Zyl. Schr.            | cyl. screw               |
| 23   | 9790 000400 | Stecknippel           | nipple                   |
| 24   | 9825 180302 | Kabelkopf             | cable head               |
| 25   | 9710 981010 | Schalldaempfer        | silencer                 |
| 26   | 9710 061110 | Ventil, Magnet        | solenoid valve           |
| 27   | 0999 240392 | Wi-E-Verschraubung    | angle-coupling           |
| 28   | 0999 220705 | Anschlussplatte       | connection plate         |
| 29   | 0767 150170 | Spule                 | bobbin                   |
| 30   | 0767 350020 | Messertraeger         | Knife holder             |
| 31   | 9790 315103 | Schlauchtuelle        | socket                   |
| 32   | 0767 350033 | Halter V              | holder cpl.              |
| 33   | 9815 925002 | Lichtschranke K       | light barrier cpl.       |

| Pos. | Teile-Nr.   | Benennung  | Denomination |
|------|-------------|------------|--------------|
| 34   | 0993 330710 | Gew. Stift | threaded pin |



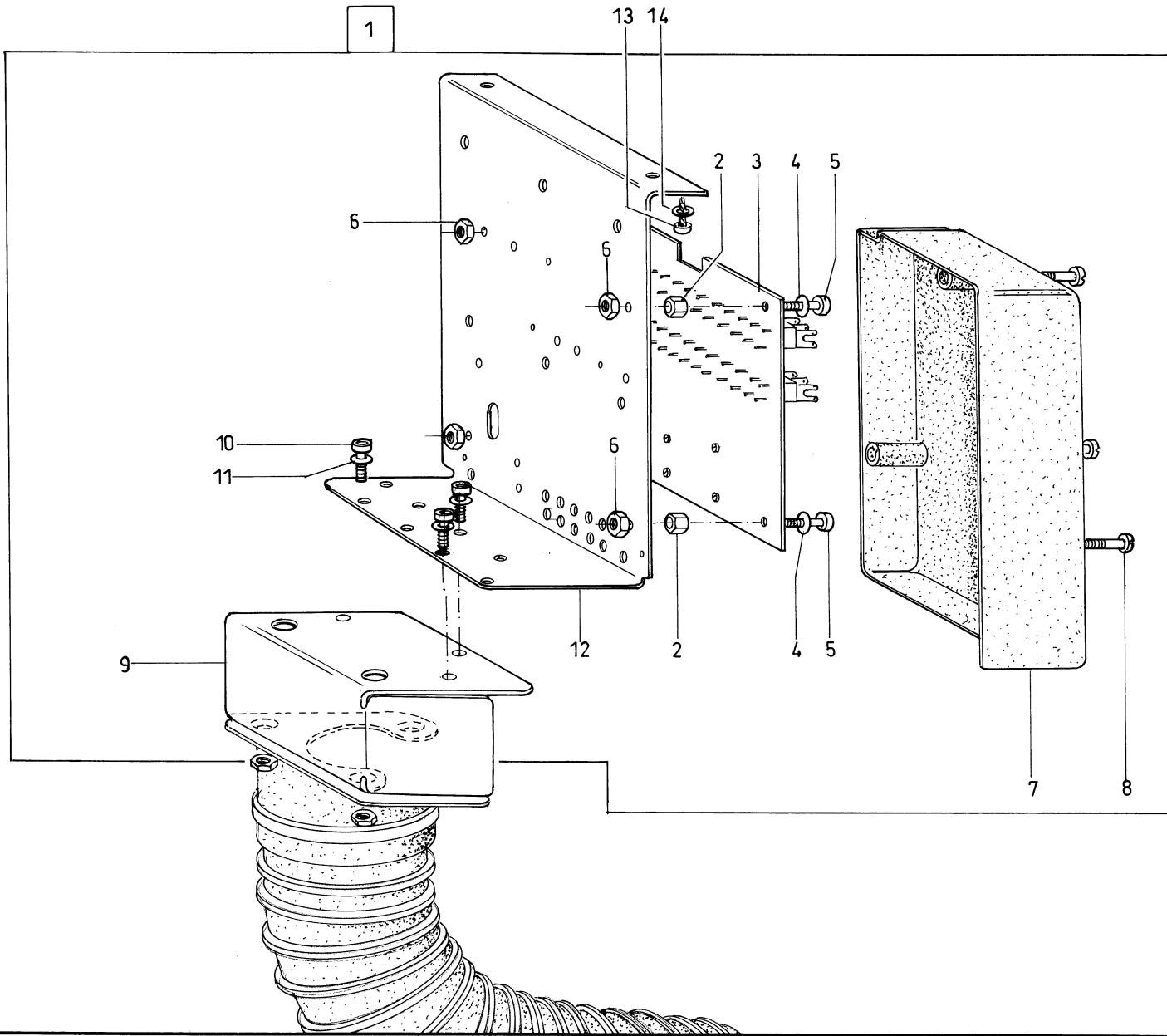
| Pos. | Teile-Nr.   | Benennung        | Denomination    |
|------|-------------|------------------|-----------------|
|      |             | R A P 550-767    | R A P 550-767   |
| 1    | 0367 350320 | Anschraubkloben  | block           |
| 2    | 0992 023760 | Zyl. Schr.       | cyl. screw      |
| 3    | 0367 350290 | Stichst. Hebel   | lever           |
| 4    | 0367 350300 | Zeigerblech      | indicator plate |
| 5    | 9202 003187 | Zyl. Schr.       | cyl. screw      |
| 6    | 9202 002058 | Zyl. Schr.       | cyl. screw      |
| 7    | 9330 000127 | Scheibe          | washer          |
| 8    | 9202 003307 | Zyl. Schr.       | cyl. screw      |
| 9    | 0367 350330 | Stoessel         | tappet          |
| 10   | 0767 130020 | Buchse           | bushing         |
| 12   | 0801 510930 | Daempfring       | damper          |
| 13   | 0367 350023 | Buegel V         | bow cpl.        |
| 14   | 9700 001020 | Zylinder, Einf.  | cylinder        |
| 15   | 9790 201001 | Verschr. Wi. - E | coupling        |
| 16   | 9731 005004 | Schlauch         | hose            |
| 17   | 0367 350490 | Scheibe          | washer          |
| 18   | 9202 002478 | Zyl. Schr.       | cyl. screw      |
| 19   | 9330 000097 | Scheibe          | washer          |
| 20   | 0894 450378 | Faecherscheibe   | disc            |
| 21   | 0367 350280 | Lasche           | shackle         |
| 22   | 0999 220654 | Befestigung L.   | fastening       |
| 23   | 0999 220721 | Zylinder, Einf.  | cylinder        |
| 24   | 9202 002478 | Zyl. Schr.       | cyl. screw      |

| Pos. | Teile-Nr. | Benennung | Denomination |
|------|-----------|-----------|--------------|
|------|-----------|-----------|--------------|



| Pos. | Teile-Nr.   | Benennung            | Denomination          |
|------|-------------|----------------------|-----------------------|
|      |             | R A P 550-767        | R A P 550-767         |
| 1    | 0767 360020 | Blech                | plate                 |
| 2    | 9850 767005 | Leiterplatte         | printed circuit board |
| 3    | 0999 202637 | Distanzbolzen        | bolt                  |
| 4    | 9330 000087 | Scheibe              | washer                |
| 5    | 9203 003637 | Zyl. Schr.           | cyl. screw            |
| 6    | 9231 110057 | 6Kt. Mutter          | hexagonal nut         |
| 7    | 0767 490060 | Abdeckung            | cover                 |
| 8    | 9203 003737 | Zyl. Schr.           | cyl. screw            |
| 9    | 9330 000087 | Scheibe              | washer                |
| 10   | 9231 110057 | 6Kt. Mutter          | hexagonal nut         |
| 11   | 9840 120028 | Bef. Schelle         | clamp                 |
| 12   | 9204 201667 | Linsenschr.          | screw                 |
| 13   | 9870 767005 | Leitung K            | cable cpl.            |
| 14   | MG53 007922 | Lasche               | shackle               |
| 15   | MG53 007921 | Winkel               | angle                 |
| 16   | 9330 000167 | Scheibe              | washer                |
| 17   | 0999 240341 | Schottverschr.       | coupling              |
| 18   | 9202 002927 | Zyl. Schr.           | cyl screw             |
| 19   | 0999 240303 | Doppelnippel         | double nipple         |
| 20   | 9792 051020 | Muffe                | bushing               |
| 21   | 0999 240392 | Wi.-E.-Verschraubung | angle coupling        |
| 22   | 9731 006004 | Schlauch             | hose                  |
| 23   | 9790 201001 | Versch. Wi.-E        | angle coupling        |
| 24   | 9710 920120 | Ventil, Drossel      | valve                 |
| 25   | 0999 240302 | Doppelnippel         | double nipple         |
| 26   | 9202 002478 | Zyl. Schr.           | cyl. screw            |
| 27   | 0999 220706 | Anschlussplatte      | connection plate      |
| 28   | 9710 061110 | Ventil, Magnet       | solenoid valve        |
| 29   | 9710 981010 | Schalldaempfer       | silencer              |
| 30   | 9780 001105 | Leitung K            | cable cpl.            |
| 30   |             | (Mit Pos. 31-34)     | (with pos. 31-34)     |
| 31   | 9840 111003 | Flachst.-Band        | band                  |
| 32   | 9840 104212 | Schutzhuelse         | sheating              |
| 33   | 9840 301052 | Leitung              | cable                 |

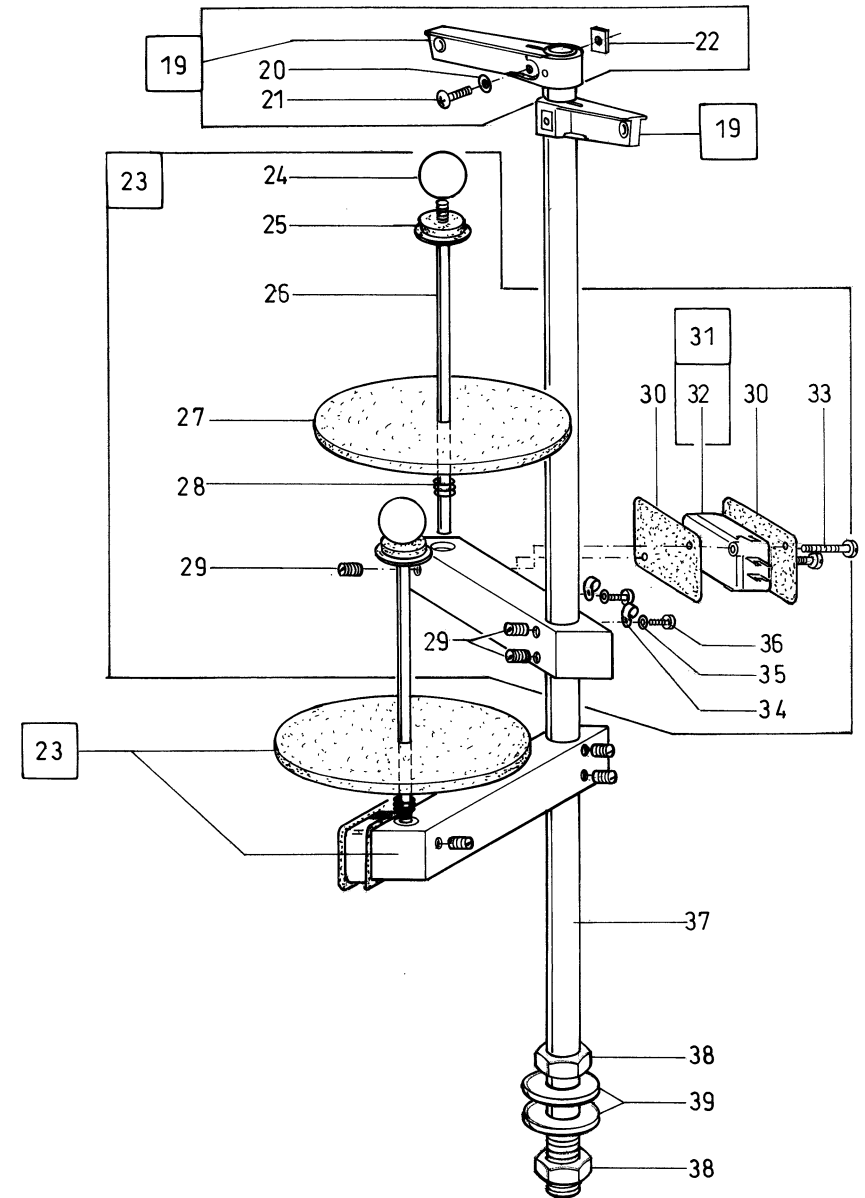
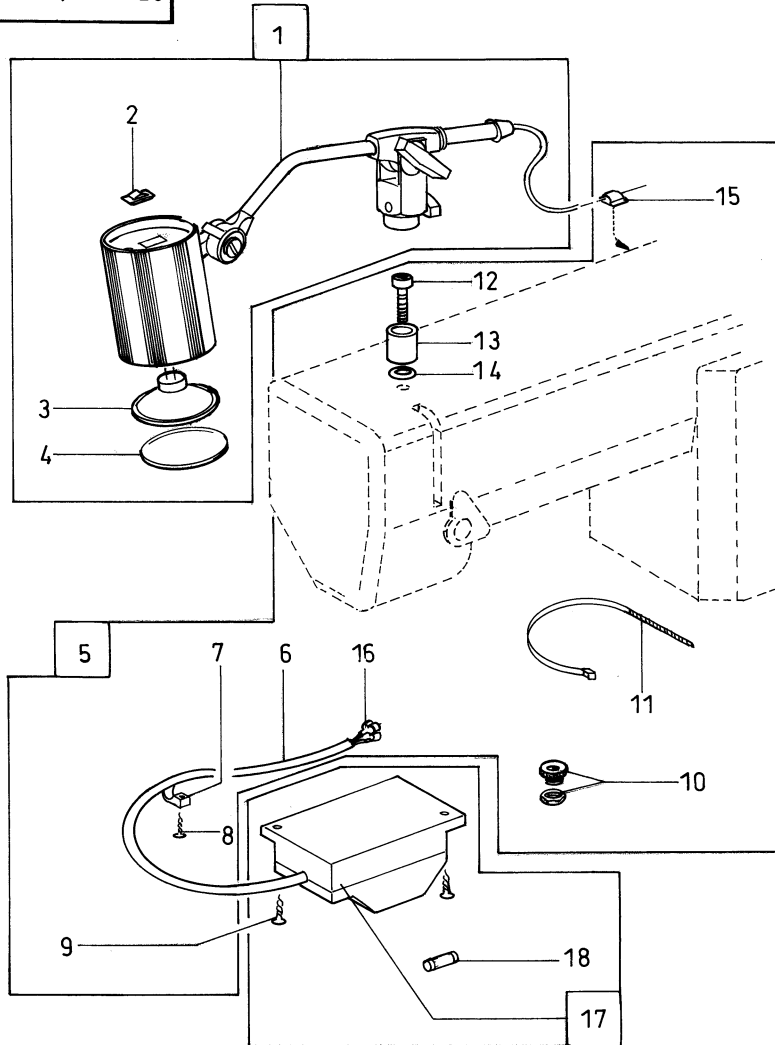
| Pos. | Teile-Nr.   | Benennung       | Denomination |
|------|-------------|-----------------|--------------|
| 34   | 9840 104205 | Flachst. Huelse | receptacle   |
| 35   | 9792 071010 | Blindstopfen    | plug         |



| Pos. | Teile-Nr.   | Benennung       | Denomination          |
|------|-------------|-----------------|-----------------------|
|      |             | VERTEILUNG      | DISTRIBUTION          |
| 1    | 9870 767011 | Verteilung K    | distribution cpl.     |
| 0    |             | (Mit Pos. 2-12) | (with pos. 2-12)      |
| 2    | 0999 202637 | Distanzbolzen   | bolt                  |
| 3    | 9850 767007 | Leiterplatte    | printed circuit board |
| 4    | 9330 000087 | Scheibe         | washer                |
| 5    | 9203 003637 | Zyl. Schr.      | cyl. screw            |
| 6    | 9231 110057 | 6Kt. Mutter     | hexagonal nut         |
| 7    | 0467 360420 | Abdeckung       | cover                 |
| 8    | 9203 003737 | Zyl. Schr.      | cyl. screw            |
| 9    | 0767 490163 | Winkel K        | angle cpl.            |
| 10   | 9202 002488 | Zyl. Schr.      | cyl. screw            |
| 11   | 9330 000098 | Scheibe         | washer                |
| 12   | 0767 360020 | Blech           | plate                 |
| 13   | 9207 170847 | Spanpl. Schr.   | screw                 |
| 14   | 0894 450378 | Faecherscheibe  | washer                |

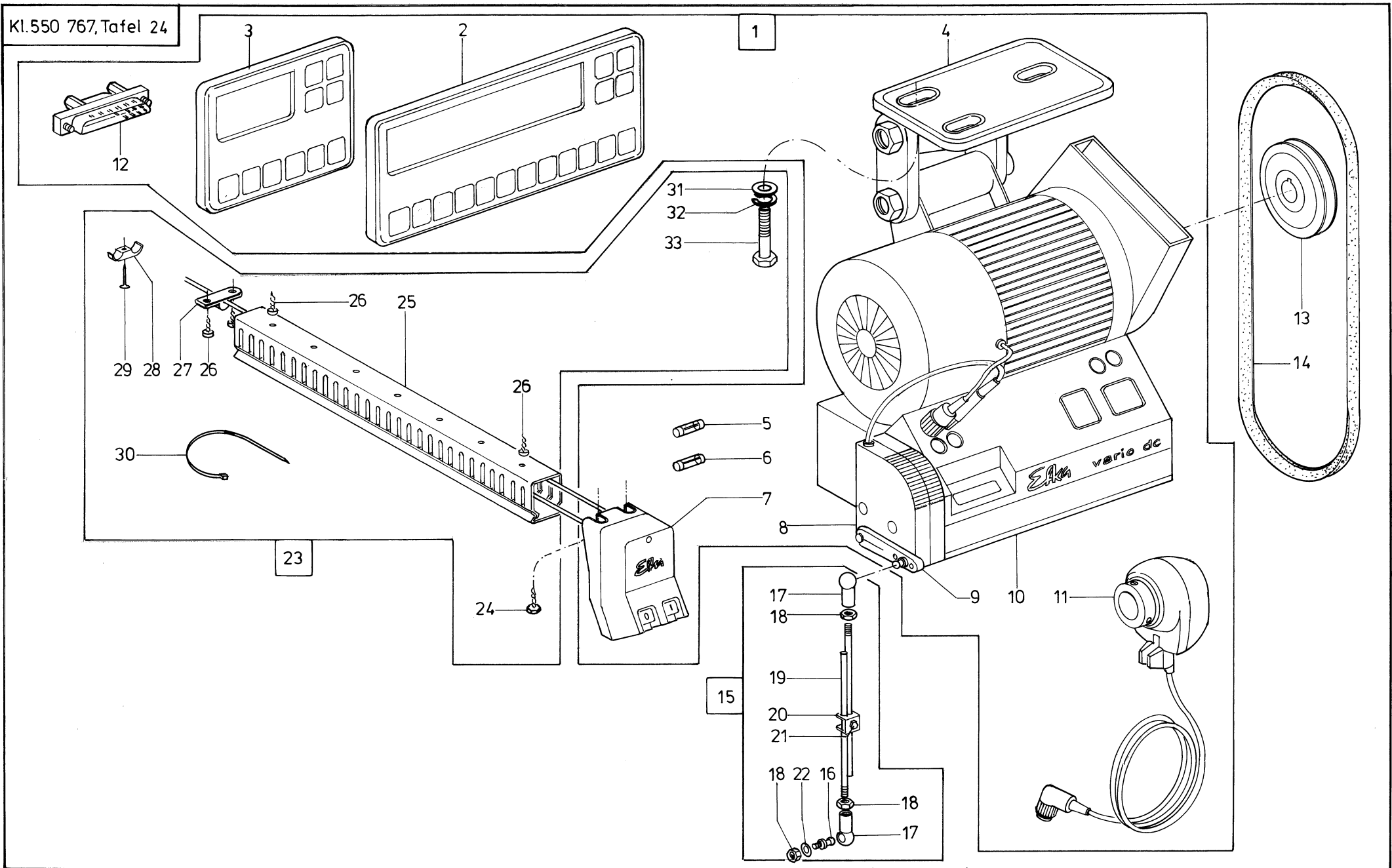
| Pos. | Teile-Nr. | Benennung | Denomination |
|------|-----------|-----------|--------------|
|------|-----------|-----------|--------------|





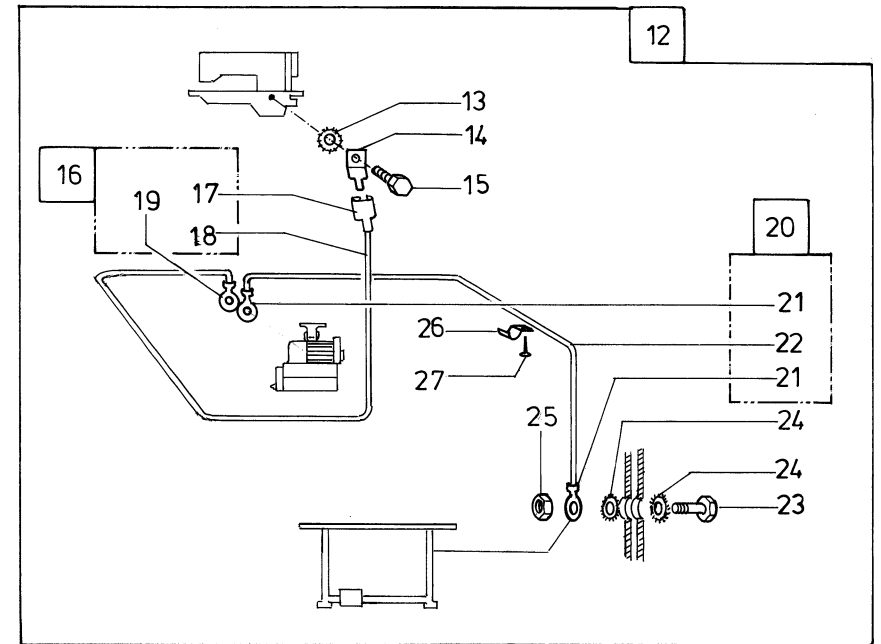
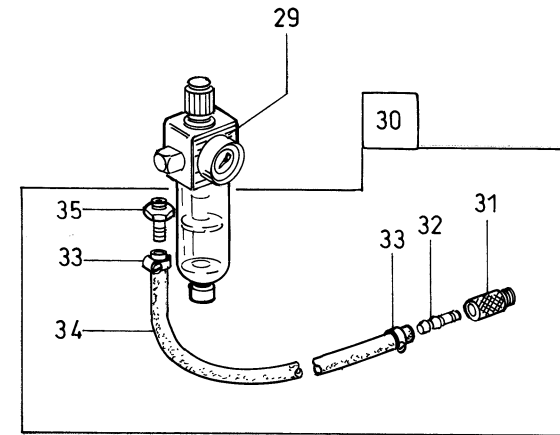
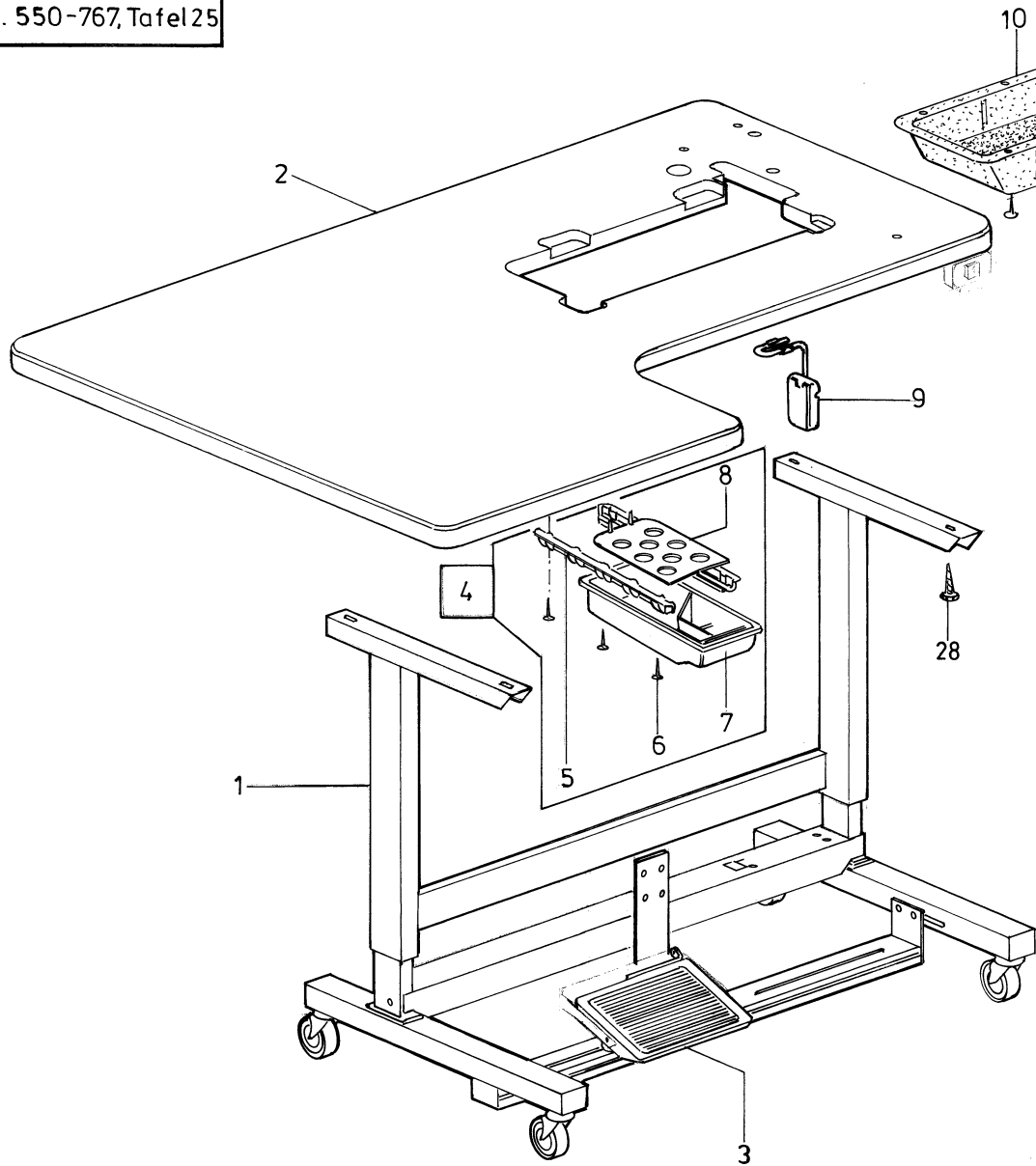
| Pos. | Teile-Nr.        | Benennung        | Denomination            |
|------|------------------|------------------|-------------------------|
|      |                  | NAEHLEUCHTE      | SEWING LAMPE            |
|      |                  | GARNSTAENDER     | YARN STAND              |
| 1    | 9822 510001      | Naehleuchte      | sewing lamp             |
| 1    |                  | (Mit Pos. 2-4)   | (with pos. 2-4)         |
| 2    | 0002 007504 9500 | Wippschalter     | switch                  |
| 3    | 9822 642024      | Halogenlampe     | lamp                    |
| 4    | 9822 510012      | Glasscheibe      | pane                    |
| 5    | 0907 487519      | Anbausatz K      | set of parts cpl.       |
| 5    |                  | (Mit Pos. 6-16)  | (with pos. 6-16)        |
| 6    | 9840 302005      | Leitung          | cable .                 |
| 7    | 9840 120003      | Nagelschelle     | clip                    |
| 8    | 9840 123003      | Stahlnagel       | nail                    |
| 9    | MG41 004073      | Spanpl. Schr.    | screw                   |
| 10   | 9840 133001      | Wuergernippel    | plug                    |
| 11   | 9840 121001      | Kabelbinder      | cable binder            |
| 12   | 9202 003317      | Zyl. Schr.       | cyl. screw              |
| 13   | OAPP 001132      | Haltestueck      | holder piece            |
| 14   | 0894 450418      | Faecherscheibe   | washer                  |
| 15   | 0798 120401      | Cord-Clip        | clip                    |
| 16   | 9840 104201      | Flachst. Huelse  | bush                    |
| 17   | 0798 500088      | Trafo, Naehlicht | trafo, sewing lampe     |
| 17   |                  | (Mit Pos. 18)    | (with pos. 18)          |
| 18   | 9825 810302      | Sicherung M0,16  | safety M0,16            |
| 19   | 0767 170074      | Fadenfuehrung K  | thread guide cpl.       |
| 19   |                  | (Mit Pos. 20-22) | (with pos. 20-22)       |
| 20   | 0791 001093 A    | Scheibe          | washer                  |
| 21   | 9204 202038      | Linsenschr.      | screw                   |
| 22   | 0791 001095      | Mutter           | nut                     |
| 23   | 0767 170064      | Garnhaltearm K   | thread reel holder cpl. |
| 23   |                  | (Mit Pos. 24-36) | (with pos. 24-36)       |
| 24   | 0216 000688      | Kugelknopf       | ballbutton              |
| 25   | 0767 170130      | Scheibe          | washer                  |
| 26   | 0767 170110      | Stift            | pin                     |
| 27   | 0767 170120      | Teller           | washer                  |
| 28   | 0396 110470      | Druckfeder       | pressure spring         |

| Pos. | Teile-Nr.   | Benennung     | Denomination         |
|------|-------------|---------------|----------------------|
| 29   | 9205 102468 | Gew. Stift    | threaded pin         |
| 30   | 9815 510049 | Isolierplatte | plate                |
| 31   | 9870 767021 | Leitung K     | cable cpl.           |
| 31   |             | (Mit Pos. 32) | (with pos. 32)       |
| 32   | 9815 510025 | Mikroschalter | micro switch         |
| 33   | 9203 003107 | Zyl. Schr.    | cyl. screw           |
| 34   | 9840 120025 | Bef. Schelle  | clip                 |
| 35   | 9330 900077 | Scheibe       | washer               |
| 36   | 9203 003057 | Zyl. Schr.    | cyl. screw           |
| 37   | 0791 001081 | Garnst. Rohr  | thread unwinder tube |
| 38   | 0995 340617 | 6Kt. Mutter   | hexagonal nut        |
| 39   | 9330 000177 | Scheibe       | washer               |



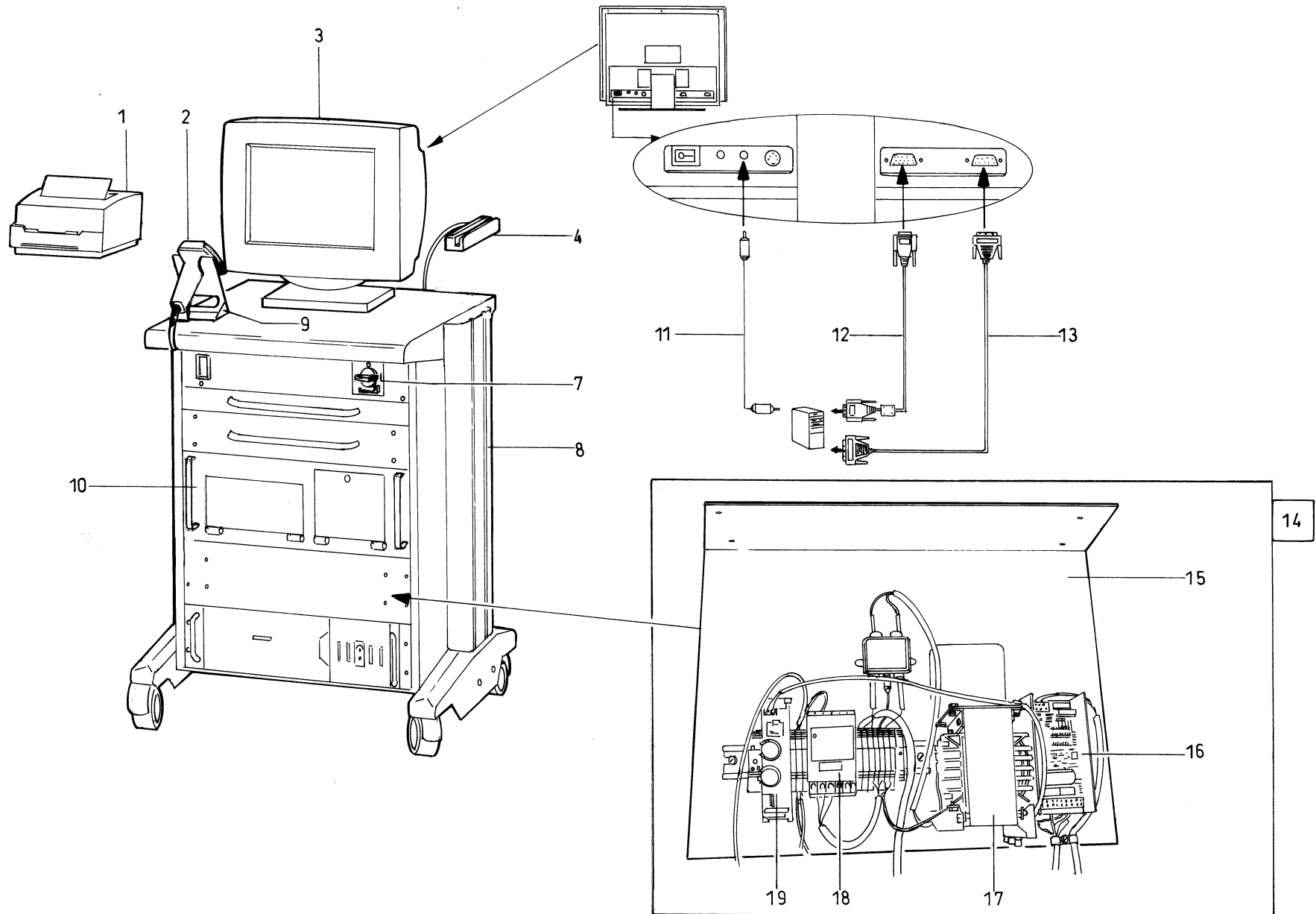
| Pos. | Teile-Nr.     | Benennung               | Denomination         |
|------|---------------|-------------------------|----------------------|
|      |               | NAEHANTRIEB             | SEWING DRIVE         |
| 1    | 9800 130016 R | Naehantrieb             | sewing drive         |
| 1    |               | (Mit Pos. 2-12)         | (with pos. 2-12)     |
| 2    | 9800 330010   | Bedienfeld              | control box          |
| 3    | 9800 330009   | Bedienfeld              | control box          |
| 4    | 9800 310006   | Motorfuss               | motor foot           |
| 5    | 9825 810319   | Sicherung M8/250E       | fuse M8/250E         |
| 6    | 9825 810412   | Sicherung T1,25/250G    | fuse T1.25/150G      |
| 7    | 9800 330002   | Netzschalter            | switch               |
| 8    | 9800 330008   | Ext. Betaetigung        | ext. switch          |
| 9    | 0798 003292   | Betaetig. Hebel         | lever                |
| 10   | 9800 331016   | Steuerkasten            | control instrument   |
| 11   | 0990 254306   | Positionsgeber          | position transmitter |
| 12   | 9800 330011   | Adapter                 | adapter              |
| 13   | 9130 500020   | Keilriemenscheibe 63m m | belt pulley 63mm     |
| 14   | 9130 120410   | Keilriemen 1120LW       | belt 1120            |
| 15   | MG43 000451   | Gestaenge K             | rods cpl.            |
| 15   |               | (Mit Pos. 16-22)        | (with pos. 16-22)    |
| 16   | 9357 200056   | Kugelzapfen             | ball pin             |
| 17   | 9357 200106   | Kugelpfanne             | ball socket          |
| 18   | 9231 110127   | 6Kt. Mutter             | hexagonal nut        |
| 19   | 0798 000254   | Druckstange             | rods                 |
| 20   | MG43 000403   | Klemme                  | clamp                |
| 21   | 9201 250027   | 6Kt. Schr.              | hexagonal nut        |
| 22   | MG43 002510   | Scheibe                 | washer               |
| 23   | 0907 050104   | Befestigungsmaterial K  | fastening parts cpl. |
| 23   |               | (Mit Pos. 24-33)        | (with pos. 24-33)    |
| 24   | 0993 601037   | 6Kt. Holzschr.          | hexagonal nut        |
| 25   | 0798 000677   | Kabelkanal              | cable duct           |
| 26   | 0713 000302   | Spannplattensch.        | screw                |
| 27   | 9840 120060   | Zugentlastungschelle    | clamp                |
| 28   | 9840 120002   | Schelle                 | clip                 |
| 29   | 9840 123003   | Stahlnadel              | pin                  |
| 30   | 9840 121001   | Kabelbinder             | cable tie            |
| 31   | 9330 300027   | Scheibe                 | washer               |

| Pos. | Teile-Nr.     | Benennung  | Denomination          |
|------|---------------|------------|-----------------------|
| 32   | 0725 000520 B | Federring  | spring-locking washer |
| 33   | 9201 013767   | 6Kt. Schr. | hexagonal nut         |



| Pos. | Teile-Nr.   | Benennung             | Denomination                           |
|------|-------------|-----------------------|--|
|      |             | GESTELL               | STAND                                  |
| 1    | MG58 000601 | Gestell K             | stand cpl.                             |
| 2    | 0700 076712 | Tischplatte           | table plate                            |
| 3    | MG58 002521 | Pedal                 | pedal                                  |
| 4    | 0907 021044 | Bef. Teile K          | fastening parts cpl.                   |
| 4    |             | (Mit Pos. 5-8)        | (with pos. 5-8)                        |
| 5    | 0700 000044 | Fuehrungsleiste       | guide reglet                           |
| 6    | 0713 000302 | Spannplatten Schraube | screw                                  |
| 7    | 0700 000043 | Schubkasten           | drawer                                 |
| 8    | 0700 000045 | Platte                | plate                                  |
| 9    | 0990 254269 | Knieschalter KN16     | knee switch KN16                       |
| 10   | 0367 250010 | Oelfangmulde          | oil tray                               |
| 11   | 9840 123003 | Stahlnadel            | pin                                    |
| 12   | 0907 050114 | Teilesatz K Erdung    | set of parts / connecting<br>to ground |
| 12   |             | (Mit Pos. 13-27)      | (with pos. 13-27)                      |
| 13   | 9330 000090 | Zahnscheibe           | washer                                 |
| 14   | 0999 201114 | Flachstecker          | switch                                 |
| 15   | 0994 520020 | Schneidschr.          | screw                                  |
| 16   | 9870 001108 | Leitung K             | cable cpl.                             |
| 16   |             | (Mit Pos. 17-19)      | (with pos. 17-19)                      |
| 17   | 9840 104204 | Flachst. Huelse       | bush                                   |
| 18   | 9840 301150 | Leitung               | cable                                  |
| 19   | 9840 102062 | Kabelschuh, Ring      | ring                                   |
| 20   | 9870 001104 | Leitung K             | cable cpl.                             |
| 20   |             | (Mit Pos. 21, 22)     | (with pos. 21,22)                      |
| 21   | 9840 102062 | Kabelschuh, Ring      | ring                                   |
| 22   | 9840 301150 | Leitung               | cable                                  |
| 23   | 9201 112867 | 6Kt. Schr.            | hexagonal nut                          |
| 24   | 0744 050242 | Zahnscheibe           | disc                                   |
| 25   | 9231 110107 | 6Kt. Mutter           | hexagonal nut                          |
| 26   | 9840 120003 | Nagelschelle          | clip                                   |
| 27   | 9840 123002 | Stahlnadel            | pin                                    |
| 28   | 9206 200097 | 6Kt. Blechschr.       | screw                                  |
| 29   | 9781 000002 | Filterregler          | control filter                         |

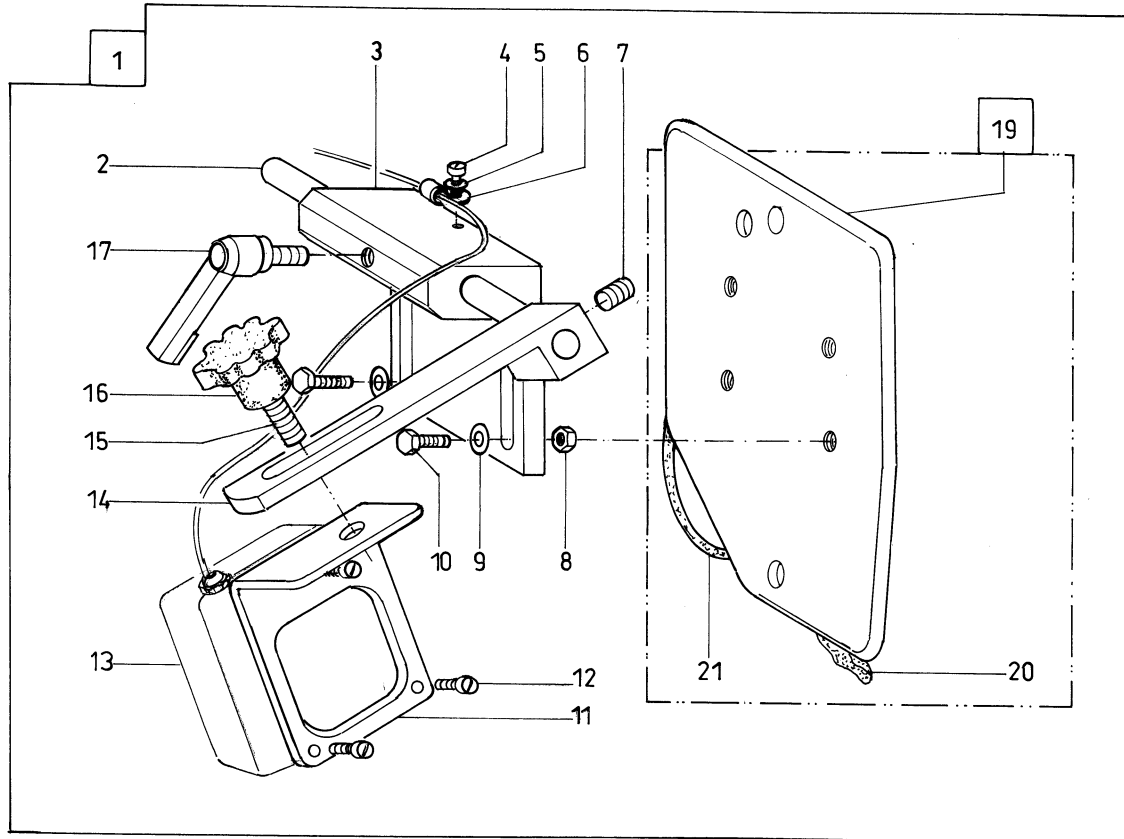
| Pos. | Teile-Nr.     | Benennung           | Denomination      |
|------|---------------|---------------------|-------------------|
| 30   | 0797 003031   | Druckluftschlauch K | hose cpl.         |
| 30   |               | (Mit Pos. 31-35)    | (with pos. 31-35) |
| 31   | 0744 001793 A | Kupplungsdose       | coupling socket   |
| 32   | 0744 001793 B | Kupplungsstecker    | coupling plug     |
| 33   | 0742 002096   | Schlauchklemme      | clip              |
| 34   | 9731 002001   | Schlauch            | hose              |
| 35   | 9790 130010   | Schlauchtuelle      | socket            |



| Pos. | Teile-Nr.   | Benennung        | Denomination      |
|------|-------------|------------------|-------------------|
|      |             | PC - SYSTEM      | PC - SYSTEM       |
| 1    | 9835 200305 | Drucker          | printer           |
| 2    | 9835 200328 | Handscanner      | handscanner       |
| 3    | 9835 200310 | Monitor          | monitor           |
| 4    | 9835 200330 | Anmeldesystem    | request system    |
| 7    | 9815 580005 | Schalter, Netz   | switch            |
| 8    | 9835 200301 | Computertisch    | computer table    |
| 9    | 0767 400050 | Scannerhalter    | scanner holding   |
| 10   | 9835 200322 | PC, Industrie    | pc, industrial    |
| 11   | 9835 200311 | Kabel            | cable             |
| 12   | 9835 200234 | Kabel, Monitor   | cable, monitor    |
| 13   | 9835 200233 | Kabel, RS-232    | cable, RS-232     |
| 14   | 9870 767007 | Montageplatte K  | plate cpl.        |
| 14   |             | (Mit Pos. 15-19) | (with pos. 15-19) |
| 15   | 9830 400401 | Montageplatte    | plate             |
| 16   | 9835 101007 | Verstaerker      | power pack        |
| 17   | 9810 820003 | Trafo            | trafo             |
| 18   | 9835 001021 | Netzteil         | power pac         |
| 19   | 9850 001035 | Netzteil         | power pac         |

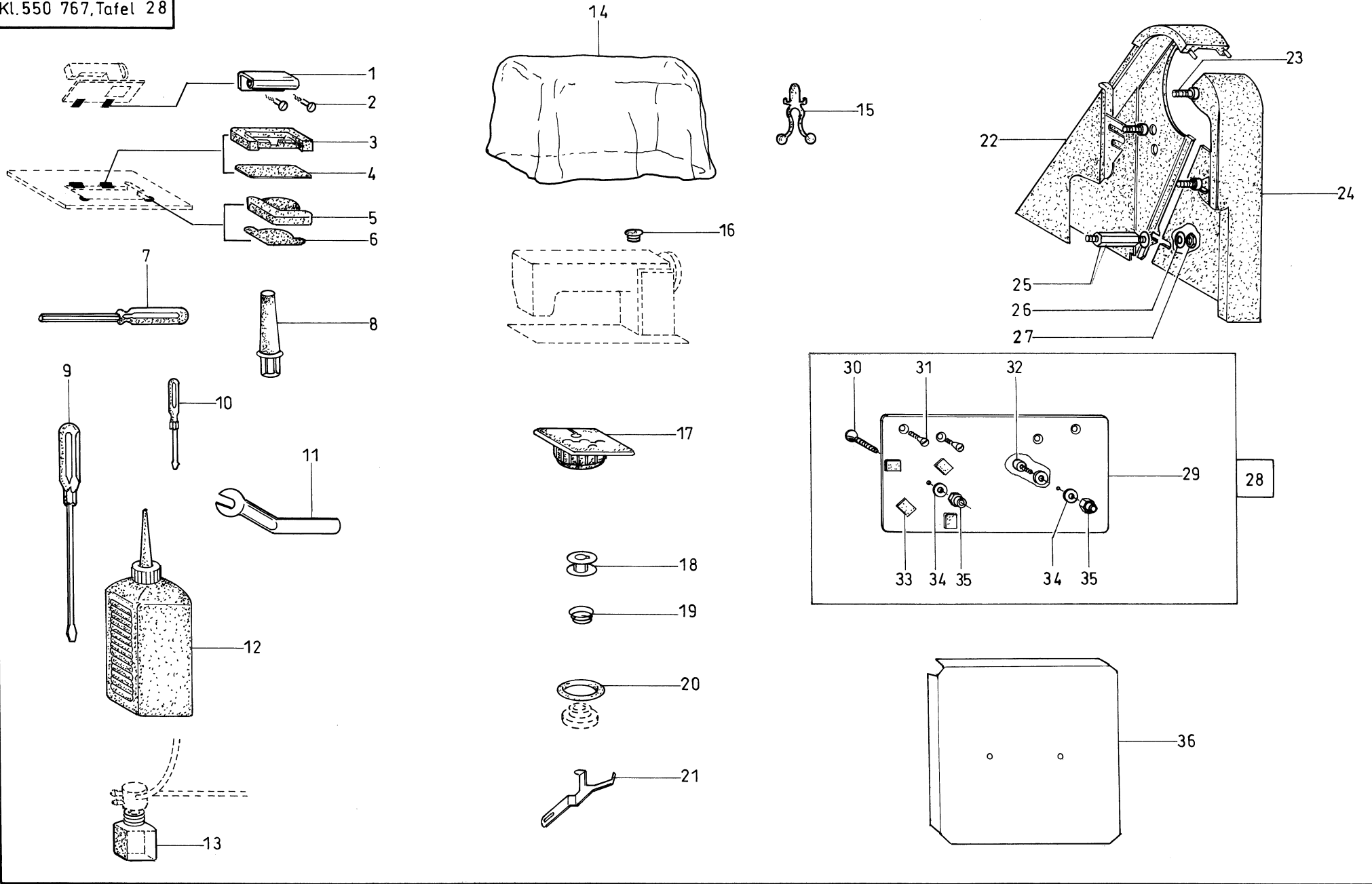
| Pos. | Teile-Nr. | Benennung | Denomination |
|------|-----------|-----------|--------------|
|------|-----------|-----------|--------------|





| Pos. | Teile-Nr.   | Benennung              | Denomination            |
|------|-------------|------------------------|-------------------------|
|      |             | SCANNER                | SCANNER                 |
| 1    | 0767 100134 | Scanner mit Kopfdeckel | scanner with head cover |
| 1    |             | (Mit Pos. 2-19)        | (with pos. 2-19)        |
| 2    | 0744 001364 | Welle                  | shaft                   |
| 3    | 0767 100140 | Halter                 | holder                  |
| 4    | 9202 002057 | Zyl. Schr.             | cyl. screw              |
| 5    | 9330 000087 | Scheibe                | washer                  |
| 6    | 9840 120026 | Bef. Schelle           | clamp                   |
| 7    | 9205 102468 | Gew. Stift             | threaded pin            |
| 8    | 9231 110107 | 6Kt. Mutter            | hexagonal nut           |
| 9    | 9330 000097 | Scheibe                | washer                  |
| 10   | 9201 112877 | 6Kt. Schr.             | hexagonal nut           |
| 11   | 0767 100173 | Winkel V               | angle cpl.              |
| 12   | 9203 002441 | Zyl. Schr.             | cyl. screw              |
| 13   | 9835 200327 | Scanner SV             | scanner SV              |
| 14   | 0767 100160 | Lasche                 | shackle                 |
| 15   | 9205 102558 | Gew. Stift             | threaded pin            |
| 16   | 0744 001559 | Sterngriff             | star haft               |
| 17   | 0238 017325 | Klemmhebel             | clamping lever          |
| 18   | 0998 881010 | Paszscheibe            | washer                  |
| 19   | 0467 100623 | Kopfdeckel K           | cover plate             |
| 19   |             | (Mit Pos. 20, 21)      | (with pos. 20, 21)      |
| 20   | 0467 100400 | Oellkissen             | oil filz                |
| 21   | 0699 989250 | Rundschnur             | gummi                   |

| Pos. | Teile-Nr. | Benennung | Denomination |
|------|-----------|-----------|--------------|
|------|-----------|-----------|--------------|



| Pos. | Teile-Nr.   | Benennung            | Denomination                    |
|------|-------------|----------------------|---------------------------------|
|      |             | BEIPACK              | ACCESSORIES                     |
| 1    | 0367 140050 | Scharnier            | hinge                           |
| 2    | 9203 314257 | Senkschr.            | sunk screw                      |
| 3    | 0100 010300 | Obert. Auflage       | support                         |
| 4    | 0907 010070 | Ausgleichstueck      | compens piece                   |
| 5    | 0907 010050 | Obert. Auflage       | support                         |
| 6    | 0907 010060 | Ausgleichstueck      | compens piece                   |
| 7    | 9081 100251 | Schr. Dreher, gerade | screw driver                    |
| 8    | 0791 001055 | Stuetze              | supporting piece                |
| 9    | 9081 500051 | Schraubendreher      | screw driver                    |
| 10   | 9081 500010 | Schraubendreher      | screw driver                    |
| 11   | 0367 250030 | Maulschluessel       | wrench                          |
| 12   | 9047 000011 | Naehm. Oil           | oil                             |
| 13   | 0999 190245 | Plastikflasche       | plastic bottle                  |
| 14   | OAPP 000301 | Schutzhuelle         | socket                          |
| 15   | 9840 120103 | Kabelhalter          | cable clip                      |
| 16   | 9840 136002 | Verschl. Stopfen     | plug                            |
| 17   | 0907 030670 | Stopfen              | plug                            |
| 18   | 0767 150260 | Spule                | bobbin                          |
| 19   | 0367 150270 | Kegelst. Feder       | spring                          |
| 20   | 0998 861590 | O- Ring              | ring                            |
| 21   | 0367 350260 | Posi. Halter         | holder for position transmitter |
| 22   | 0367 100360 | Riemenschutz         | belt guard                      |
| 23   | 9203 004277 | Zyl. Schr.           | cyl. screw                      |
| 24   | 0367 100130 | Riemenschutz         | belt guard                      |
| 25   | 0367 100150 | Bolzen               | bolt                            |
| 26   | 9330 900117 | Scheibe              | washer                          |
| 27   | 9231 000387 | 6Kt. Mutter          | hexagonal nut                   |
| 28   | 0767 400034 | Blech K              | plate cpl.                      |
| 28   |             | (Mit Pos. 29-35)     | (with pos. 29-35)               |
| 29   | 0767 400030 | Blech                | plate                           |
| 30   | 9203 314717 | Senkschr.            | sunk screw                      |
| 31   | 9203 313652 | Senkschr.            | sunk screw                      |
| 32   | 9202 003303 | Zyl. Schr.           | cyl. screw                      |
| 33   | 0291 001448 | Filzteil             | felt                            |

| Pos. | Teile-Nr.   | Benennung   | Denomination  |
|------|-------------|-------------|---------------|
| 34   | 9330 900127 | Scheibe     | washer        |
| 35   | 9234 000107 | 6Kt. Mutter | hexagonal nut |
| 36   | 0767 490050 | Blech       | plate         |

| Teile-Nr.        | Tafel    | Teile-Nr.   | Tafel | Teile-Nr.   | Tafel    | Teile-Nr.   | Tafel    |
|------------------|----------|-------------|-------|-------------|----------|-------------|----------|
| 0002 007504 9500 | 023      | 0367 100063 | 002   | 0367 110333 | 009      | 0367 130440 | 008      |
| 0016 004010      | 009      | 0367 100130 | 028   | 0367 110334 | 009      | 0367 130600 | 008      |
| 0037 001280      | 009      | 0367 100150 | 028   | 0367 110340 | 009      | 0367 130630 | 006      |
| 0037 001290      | 016      | 0367 100170 | 014   | 0367 110350 | 009      | 0367 130680 | 006      |
| 0053 000350      | 001, 005 | 0367 100190 | 014   | 0367 110360 | 009      | 0367 130710 | 008      |
| 0061 001050      | 009      | 0367 100240 | 014   | 0367 110370 | 009      | 0367 130920 | 006      |
| 0067 001560      | 001      | 0367 100243 | 014   | 0367 110380 | 009      | 0367 130960 | 008      |
| 0067 001770      | 004      | 0367 100250 | 014   | 0367 110460 | 008      | 0367 130964 | 008      |
| 0067 002470      | 008      | 0367 100260 | 014   | 0367 110520 | 002      | 0367 130970 | 008      |
| 0067 160490      | 003      | 0367 100300 | 014   | 0367 110560 | 009      | 0367 140020 | 001      |
| 0067 351680      | 011      | 0367 100353 | 002   | 0367 110570 | 009      | 0367 140040 | 001      |
| 0068 001830      | 008, 013 | 0367 100360 | 028   | 0367 110580 | 009      | 0367 140050 | 028      |
| 0068 001840      | 013      | 0367 100390 | 014   | 0367 110593 | 008      | 0367 140060 | 001      |
| 0068 004910      | 009      | 0367 100420 | 002   | 0367 110610 | 015      | 0367 140064 | 001      |
| 0069 120020      | 007      | 0367 100424 | 002   | 0367 110633 | 015      | 0367 140070 | 001      |
| 0097 002830      | 016      | 0367 100430 | 002   | 0367 110640 | 015      | 0367 140090 | 001      |
| 0097 002840      | 016      | 0367 100510 | 001   | 0367 120010 | 002      | 0367 140100 | 001      |
| 0099 004800      | 009      | 0367 100593 | 014   | 0367 120023 | 002      | 0367 142070 | 001      |
| 0100 010300      | 028      | 0367 100610 | 014   | 0367 120030 | 002      | 0367 150050 | 004      |
| 0104 170050      | 016      | 0367 110010 | 002   | 0367 120040 | 002      | 0367 150070 | 004      |
| 0170 100030      | 001      | 0367 110030 | 002   | 0367 120050 | 002      | 0367 150080 | 004      |
| 0202 000708      | 007      | 0367 110040 | 002   | 0367 120080 | 002, 010 | 0367 150093 | 004      |
| 0211 050410 B    | 016      | 0367 110050 | 002   | 0367 120093 | 002      | 0367 150103 | 004      |
| 0216 000052      | 002      | 0367 110070 | 002   | 0367 120100 | 002      | 0367 150120 | 014      |
| 0216 000688      | 023      | 0367 110100 | 008   | 0367 120110 | 002      | 0367 150140 | 014      |
| 0221 110150      | 009      | 0367 110120 | 009   | 0367 120160 | 002      | 0367 150150 | 002, 004 |
| 0221 110154      | 009      | 0367 110130 | 009   | 0367 120270 | 002      | 0367 150163 | 002      |
| 0221 110160      | 009      | 0367 110150 | 009   | 0367 130130 | 008      | 0367 150193 | 010      |
| 0238 017325      | 027      | 0367 110160 | 009   | 0367 130140 | 008      | 0367 150220 | 013      |
| 0266 170030      | 016      | 0367 110164 | 009   | 0367 130153 | 005, 008 | 0367 150240 | 013      |
| 0271 000260      | 016      | 0367 110170 | 009   | 0367 130170 | 005, 008 | 0367 150270 | 013, 028 |
| 0291 000159      | 002      | 0367 110183 | 009   | 0367 130180 | 008      | 0367 150330 | 010      |
| 0291 001448      | 028      | 0367 110230 | 009   | 0367 130240 | 008      | 0367 150340 | 010      |
| 0294 000888      | 016      | 0367 110240 | 009   | 0367 130253 | 008      | 0367 150360 | 010      |
| 0296 001543      | 001, 014 | 0367 110290 | 009   | 0367 130273 | 008      | 0367 150370 | 010      |
| 0296 110030      | 015      | 0367 110300 | 009   | 0367 130290 | 008      | 0367 150380 | 010      |
| 0296 150013      | 001      | 0367 110310 | 009   | 0367 130340 | 008      | 0367 150403 | 010, 012 |

| Teile-Nr.   | Tafel | Teile-Nr.   | Tafel                   | Teile-Nr.   | Tafel         | Teile-Nr.   | Tafel    |
|-------------|-------|-------------|-------------------------|-------------|---------------|-------------|----------|
| 0367 150413 | 012   | 0367 160064 | 004                     | 0367 250010 | 025           | 0367 350150 | 011      |
| 0367 150433 | 010   | 0367 160090 | 004                     | 0367 250030 | 028           | 0367 350163 | 011      |
| 0367 150450 | 010   | 0367 160100 | 004                     | 0367 310013 | 003           | 0367 350170 | 011      |
| 0367 150453 | 010   | 0367 160110 | 004                     | 0367 310023 | 003           | 0367 350180 | 012      |
| 0367 150460 | 014   | 0367 160120 | 004                     | 0367 310153 | 006           | 0367 350260 | 028      |
| 0367 150470 | 014   | 0367 160130 | 003                     | 0367 310180 | 001, 014      | 0367 350270 | 005      |
| 0367 150490 | 010   | 0367 160183 | 004                     | 0367 310190 | 005, 006      | 0367 350280 | 020      |
| 0367 150530 | 012   | 0367 160200 | 005                     | 0367 310203 | 003           | 0367 350290 | 020      |
| 0367 150540 | 012   | 0367 160233 | 003                     | 0367 310210 | 006           | 0367 350300 | 020      |
| 0367 150550 | 012   | 0367 160240 | 003                     | 0367 310280 | 006           | 0367 350320 | 020      |
| 0367 150570 | 014   | 0367 160253 | 004                     | 0367 310330 | 002, 006, 007 | 0367 350330 | 020      |
| 0367 150580 | 012   | 0367 160273 | 004                     | 0367 310360 | 007           | 0367 350490 | 020      |
| 0367 150590 | 012   | 0367 160290 | 004                     | 0367 310370 | 006           | 0367 360123 | 014      |
| 0367 150610 | 010   | 0367 160310 | 003, 004                | 0367 310673 | 003           | 0370 221230 | 004      |
| 0367 150700 | 014   | 0367 160320 | 001, 003, 004, 007, 010 | 0367 310933 | 007           | 0376 130640 | 006      |
| 0367 150770 | 012   | 0367 160340 | 005                     | 0367 311060 | 007           | 0381 110043 | 009      |
| 0367 150780 | 004   | 0367 160344 | 005                     | 0367 311103 | 007           | 0396 110470 | 009, 023 |
| 0367 150820 | 010   | 0367 160350 | 005                     | 0367 311130 | 007           | 0396 140050 | 001      |
| 0367 150830 | 010   | 0367 160360 | 005                     | 0367 311150 | 007           | 0396 160553 | 003      |
| 0367 150840 | 010   | 0367 160373 | 004                     | 0367 311163 | 007           | 0396 170160 | 009      |
| 0367 150850 | 014   | 0367 160380 | 004                     | 0367 311170 | 007           | 0396 170170 | 009      |
| 0367 150900 | 010   | 0367 160383 | 004                     | 0367 311193 | 007           | 0396 350840 | 015      |
| 0367 150910 | 010   | 0367 160400 | 005                     | 0367 311223 | 007           | 0467 100010 | 001      |
| 0367 150930 | 004   | 0367 160410 | 005, 010                | 0367 311240 | 007           | 0467 100284 | 002      |
| 0367 150940 | 004   | 0367 160420 | 005                     | 0367 311343 | 003           | 0467 100290 | 002      |
| 0367 150950 | 004   | 0367 160430 | 008                     | 0367 311363 | 003           | 0467 100353 | 001      |
| 0367 150960 | 004   | 0367 160460 | 005                     | 0367 350023 | 020           | 0467 100360 | 014      |
| 0367 150973 | 014   | 0367 160480 | 008                     | 0367 350040 | 011           | 0467 100390 | 014      |
| 0367 150980 | 014   | 0367 160493 | 008                     | 0367 350050 | 011           | 0467 100400 | 001, 027 |
| 0367 151000 | 004   | 0367 160530 | 005                     | 0367 350060 | 011           | 0467 100410 | 014      |
| 0367 151004 | 004   | 0367 160640 | 003                     | 0367 350070 | 011           | 0467 100623 | 027      |
| 0367 151010 | 004   | 0367 160660 | 008                     | 0367 350083 | 011           | 0467 110010 | 002      |
| 0367 151020 | 004   | 0367 160680 | 003                     | 0367 350100 | 010           | 0467 110013 | 002      |
| 0367 151030 | 014   | 0367 160690 | 005                     | 0367 350113 | 011           | 0467 110220 | 009, 016 |
| 0367 151040 | 014   | 0367 160720 | 003                     | 0367 350123 | 011           | 0467 130283 | 006      |
| 0367 151050 | 014   | 0367 160750 | 005                     | 0367 350130 | 011           | 0467 130304 | 008      |
| 0367 160053 | 003   | 0367 170040 | 016                     | 0367 350143 | 011           | 0467 130320 | 008      |

| Teile-Nr.   | Tafel    | Teile-Nr.     | Tafel                           | Teile-Nr.   | Tafel         | Teile-Nr.   | Tafel    |
|-------------|----------|---------------|---------------------------------|-------------|---------------|-------------|----------|
| 0467 130330 | 008      | 0467 360420   | 022                             | 0767 100110 | 001           | 0767 160064 | 005      |
| 0467 130340 | 008      | 0477 130040   | 008                             | 0767 100123 | 001           | 0767 160070 | 005      |
| 0467 130354 | 008      | 0477 160223   | 003                             | 0767 100124 | 001           | 0767 170010 | 016      |
| 0467 150030 | 013      | 0477 310084   | 007                             | 0767 100134 | 027           | 0767 170020 | 016      |
| 0467 150040 | 013      | 0504 170720   | 016                             | 0767 100140 | 027           | 0767 170030 | 016      |
| 0467 150070 | 013      | 0504 170730   | 016                             | 0767 100160 | 027           | 0767 170040 | 016      |
| 0467 150120 | 013      | 0504 170740   | 016                             | 0767 100173 | 027           | 0767 170064 | 023      |
| 0467 150130 | 013      | 0504 170760   | 016                             | 0767 110030 | 009           | 0767 170074 | 023      |
| 0467 150230 | 013      | 0504 170783   | 016                             | 0767 110050 | 009           | 0767 170080 | 016      |
| 0467 160040 | 008      | 0504 170790   | 016                             | 0767 110060 | 009           | 0767 170090 | 016      |
| 0467 160100 | 003      | 0504 170800   | 016                             | 0767 110064 | 009           | 0767 170104 | 016      |
| 0467 160133 | 004      | 0504 170810   | 016                             | 0767 110070 | 009           | 0767 170110 | 023      |
| 0467 160140 | 003      | 0504 170820   | 016                             | 0767 110080 | 009           | 0767 170120 | 023      |
| 0467 160144 | 003      | 0506 170030   | 016                             | 0767 110100 | 015           | 0767 170130 | 023      |
| 0467 160173 | 003      | 0568 330100   | 008                             | 0767 120014 | 002           | 0767 310014 | 006      |
| 0467 160200 | 003      | 0576 003091   | 009                             | 0767 120023 | 002           | 0767 310034 | 007      |
| 0467 160210 | 003      | 0697 000274   | 016                             | 0767 120060 | 002           | 0767 310164 | 007      |
| 0467 160220 | 003      | 0699 979100   | 002, 003, 006, 007,<br>010, 014 | 0767 120064 | 002           | 0767 350010 | 011      |
| 0467 160230 | 005      | 0699 979104   | 014                             | 0767 130020 | 020           | 0767 350020 | 019      |
| 0467 310070 | 007      | 0699 989250   | 001, 027                        | 0767 140014 | 001           | 0767 350033 | 019      |
| 0467 310083 | 006      | 0699 991582   | 006, 010                        | 0767 140040 | 001           | 0767 350050 | 019      |
| 0467 310100 | 006      | 0700 000043   | 025                             | 0767 150050 | 010           | 0767 350060 | 019      |
| 0467 310110 | 006      | 0700 000044   | 025                             | 0767 150060 | 010           | 0767 350304 | 015      |
| 0467 310123 | 006      | 0700 000045   | 025                             | 0767 150070 | 010           | 0767 360010 | 019      |
| 0467 310130 | 006      | 0700 076712   | 025                             | 0767 150140 | 001           | 0767 360020 | 021, 022 |
| 0467 310140 | 006      | 0713 000302   | 024, 025                        | 0767 150143 | 001           | 0767 400030 | 028      |
| 0467 310150 | 006      | 0725 000520 B | 024                             | 0767 150144 | 001           | 0767 400034 | 028      |
| 0467 310163 | 006      | 0742 002096   | 025                             | 0767 150150 | 001           | 0767 400050 | 026      |
| 0467 310173 | 006      | 0744 001364   | 027                             | 0767 150170 | 019           | 0767 490010 | 015      |
| 0467 310180 | 006      | 0744 001559   | 027                             | 0767 150230 | 014           | 0767 490020 | 015      |
| 0467 310193 | 008      | 0744 001793 A | 025                             | 0767 150234 | 014           | 0767 490030 | 015      |
| 0467 310200 | 006, 008 | 0744 001793 B | 025                             | 0767 150244 | 010           | 0767 490050 | 028      |
| 0467 310213 | 006      | 0744 050242   | 025                             | 0767 150260 | 013, 016, 028 | 0767 490060 | 021      |
| 0467 310220 | 006      | 0767 100010   | 001                             | 0767 150294 | 013           | 0767 490100 | 005      |
| 0467 310233 | 006      | 0767 100024   | 002                             | 0767 150824 | 013           | 0767 490110 | 015      |
| 0467 360250 | 019      | 0767 100034   | 002                             | 0767 160030 | 005           | 0767 490120 | 015      |
| 0467 360260 | 015      | 0767 100044   | 002                             | 0767 160044 | 005           | 0767 490163 | 022      |

| Teile-Nr.     | Tafel                           | Teile-Nr.   | Tafel    | Teile-Nr.   | Tafel                   | Teile-Nr.   | Tafel                   |
|---------------|---------------------------------|-------------|----------|-------------|-------------------------|-------------|-------------------------|
| 0791 001055   | 028                             | 0990 254306 | 024      | 0998 857800 | 004                     | 9041 100020 | 002, 003, 007           |
| 0791 001081   | 023                             | 0992 001110 | 016      | 0998 859400 | 012                     | 9041 100031 | 002                     |
| 0791 001093 A | 023                             | 0992 002377 | 016      | 0998 860470 | 013                     | 9041 100050 | 006                     |
| 0791 001095   | 023                             | 0992 016580 | 013      | 0998 860530 | 012                     | 9041 100212 | 010, 014                |
| 0797 002214   | 014                             | 0992 023560 | 013      | 0998 860670 | 004                     | 9047 000011 | 028                     |
| 0797 003031   | 025                             | 0992 023577 | 013      | 0998 861590 | 028                     | 9081 100251 | 028                     |
| 0798 000254   | 024                             | 0992 023677 | 001      | 0998 863300 | 010                     | 9081 500010 | 028                     |
| 0798 000677   | 024                             | 0992 023760 | 020      | 0998 880120 | 002                     | 9081 500051 | 028                     |
| 0798 003292   | 024                             | 0992 023800 | 005      | 0998 881010 | 027                     | 9120 010100 | 010, 012                |
| 0798 120401   | 023                             | 0992 023810 | 013      | 0998 881020 | 015                     | 9120 010150 | 010                     |
| 0798 500088   | 023                             | 0992 023820 | 012      | 0998 881070 | 003                     | 9120 020100 | 010                     |
| 0801 510930   | 020                             | 0992 023890 | 001      | 0998 881110 | 008                     | 9120 030041 | 002                     |
| 0805 410970   | 017                             | 0993 066540 | 011      | 0998 881580 | 016                     | 9120 030082 | 002                     |
| 0893 520720   | 009, 010                        | 0993 087008 | 009      | 0998 881620 | 003, 010                | 9120 030200 | 002                     |
| 0894 440948   | 009                             | 0993 087138 | 009      | 0999 190245 | 014, 028                | 9120 080110 | 002                     |
| 0894 450348   | 016                             | 0993 330710 | 019      | 0999 201114 | 025                     | 9129 016050 | 002                     |
| 0894 450378   | 002, 007, 014, 016,<br>020, 022 | 0993 411208 | 009      | 0999 201311 | 019                     | 9130 120410 | 024                     |
| 0894 450388   | 011                             | 0993 520940 | 009      | 0999 201312 | 019                     | 9130 500020 | 024                     |
| 0894 450418   | 023                             | 0993 521090 | 008      | 0999 201313 | 019                     | 9201 013767 | 024                     |
| 0894 582430   | 014                             | 0993 530740 | 007      | 0999 201517 | 015                     | 9201 112867 | 025                     |
| 0894 700758   | 002                             | 0993 601037 | 024      | 0999 201573 | 011                     | 9201 112877 | 027                     |
| 0907 010050   | 028                             | 0993 931338 | 004      | 0999 202637 | 021, 022                | 9201 113338 | 004                     |
| 0907 010060   | 028                             | 0993 940758 | 013      | 0999 210834 | 003                     | 9201 250027 | 024                     |
| 0907 010070   | 028                             | 0993 952948 | 006      | 0999 210839 | 005                     | 9202 001653 | 006, 013                |
| 0907 021044   | 025                             | 0993 991700 | 016      | 0999 220654 | 020                     | 9202 001658 | 011, 013                |
| 0907 030670   | 028                             | 0993 991910 | 008      | 0999 220694 | 003                     | 9202 001678 | 005                     |
| 0907 050104   | 024                             | 0994 395110 | 009      | 0999 220705 | 019                     | 9202 002057 | 005, 027                |
| 0907 050114   | 025                             | 0994 520020 | 025      | 0999 220706 | 021                     | 9202 002058 | 020                     |
| 0907 487519   | 023                             | 0995 110210 | 001      | 0999 220710 | 014                     | 9202 002067 | 001                     |
| 0917 030510   | 019                             | 0995 340617 | 023      | 0999 220721 | 020                     | 9202 002068 | 005, 011, 012, 015, 017 |
| 0933 000587   | 012                             | 0996 031118 | 003      | 0999 230518 | 010                     | 9202 002077 | 012                     |
| 0935 004395   | 008                             | 0996 070088 | 004, 015 | 0999 240302 | 019, 021                | 9202 002078 | 007                     |
| 0971 430190   | 001                             | 0996 120367 | 016      | 0999 240303 | 021                     | 9202 002087 | 005                     |
| 0990 240164   | 001                             | 0998 830318 | 003      | 0999 240341 | 021                     | 9202 002088 | 003, 011, 012           |
| 0990 240165   | 001                             | 0998 852260 | 004      | 0999 240389 | 019                     | 9202 002097 | 002                     |
| 0990 240181   | 001                             | 0998 856800 | 004      | 0999 240392 | 019, 021                | 9202 002473 | 005                     |
| 0990 254269   | 025                             | 0998 856900 | 004      | 9041 100015 | 003, 006, 007, 008, 010 | 9202 002477 | 005                     |

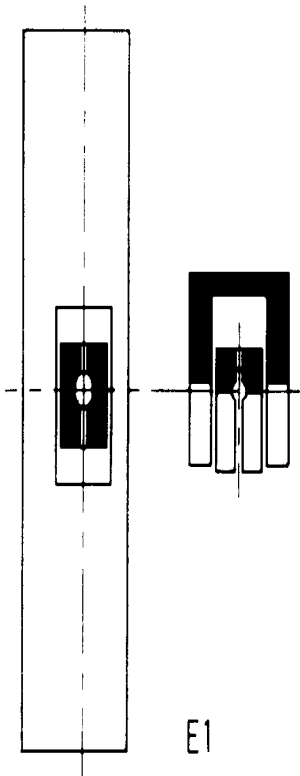


| Teile-Nr.   | Tafel                   | Teile-Nr.   | Tafel    | Teile-Nr.   | Tafel  | Teile-Nr.   | Tafel              |
|-------------|-------------------------|-------------|----------|-------------|--|-------------|--------------------|
| 9202 002478 | 007, 016, 019, 020, 021 | 9203 003647 | 019      | 9205 101848 | 005, 016                                       | 9330 000098 | 022                |
| 9202 002488 | 007, 022                | 9203 003657 | 016      | 9205 101868 | 001, 005, 016                                  | 9330 000127 | 020                |
| 9202 002498 | 002                     | 9203 003662 | 002      | 9205 102158 | 001, 007, 008, 009,<br>010, 011, 012           | 9330 000167 | 021                |
| 9202 002508 | 015, 017                | 9203 003667 | 015, 016 | 9205 102168 | 002  | 9330 000177 | 023                |
| 9202 002517 | 011                     | 9203 003737 | 021, 022 | 9205 102178 | 007  | 9330 200078 | 005                |
| 9202 002887 | 011                     | 9203 003947 | 005      | 9205 102468 | 001, 004, 023, 027                             | 9330 200097 | 002, 009, 015      |
| 9202 002898 | 003, 008                | 9203 003948 | 005      | 9205 102478 | 002, 004                                       | 9330 200107 | 016, 017           |
| 9202 002907 | 007                     | 9203 003957 | 006, 014 | 9205 102488 | 002, 004, 007                                  | 9330 300027 | 024                |
| 9202 002908 | 003, 007, 008, 010      | 9203 004277 | 028      | 9205 102498 | 004  | 9330 900077 | 023                |
| 9202 002927 | 021                     | 9203 211830 | 013      | 9205 102558 | 027  | 9330 900097 | 016                |
| 9202 003027 | 016                     | 9203 312411 | 002      | 9205 102783 | 002  | 9330 900117 | 028                |
| 9202 003187 | 014, 020                | 9203 313021 | 004      | 9205 102798 | 001, 004, 008                                  | 9330 900127 | 028                |
| 9202 003303 | 028                     | 9203 313037 | 017      | 9205 122488 | 002, 004                                       | 9332 500150 | 008                |
| 9202 003307 | 020                     | 9203 313047 | 012      | 9205 122498 | 002, 004                                       | 9334 000040 | 003                |
| 9202 003317 | 023                     | 9203 313052 | 010      | 9205 161558 | 002  | 9343 000080 | 019                |
| 9202 003318 | 002                     | 9203 313077 | 016      | 9206 200097 | 025  | 9352 000200 | 002                |
| 9202 003738 | 001                     | 9203 313647 | 010      | 9207 170847 | 022  | 9352 000220 | 004                |
| 9202 022078 | 003                     | 9203 313652 | 028      | 9217 300528 | 018  | 9353 000198 | 012                |
| 9202 022488 | 006                     | 9203 313657 | 009      | 9231 000367 | 002  | 9357 000050 | 011                |
| 9202 042078 | 002                     | 9203 313667 | 009      | 9231 000377 | 008, 009, 015                                  | 9357 000060 | 005, 009, 010, 011 |
| 9202 042087 | 006                     | 9203 313668 | 002      | 9231 000387 | 004, 028                                       | 9357 000070 | 003, 004, 008      |
| 9202 042488 | 001, 002                | 9203 313977 | 015      | 9231 000388 | 008  | 9357 000090 | 001, 008           |
| 9202 042508 | 001                     | 9203 314257 | 016, 028 | 9231 110037 | 016  | 9357 000100 | 003                |
| 9202 042888 | 003                     | 9203 314267 | 016      | 9231 110038 | 009  | 9357 200002 | 008                |
| 9202 042908 | 003                     | 9203 314277 | 016      | 9231 110057 | 016, 021, 022                                  | 9357 200056 | 024                |
| 9203 001807 | 001                     | 9203 314717 | 028      | 9231 110058 | 008  | 9357 200106 | 024                |
| 9203 002441 | 027                     | 9204 201658 | 016      | 9231 110107 | 016, 025, 027                                  | 9401 000016 | 009                |
| 9203 003028 | 012                     | 9204 201667 | 021      | 9231 110127 | 024  | 9700 001020 | 020                |
| 9203 003037 | 015, 019                | 9204 201958 | 016      | 9234 000107 | 028  | 9710 061110 | 019, 021           |
| 9203 003057 | 003, 023                | 9204 202038 | 023      | 9301 102243 | 008, 016                                       | 9710 920120 | 019, 021           |
| 9203 003067 | 016                     | 9205 023043 | 013      | 9305 001650 | 016  | 9710 981010 | 019, 021           |
| 9203 003095 | 016                     | 9205 023620 | 010      | 9330 000067 | 011  | 9731 002001 | 025                |
| 9203 003097 | 016                     | 9205 023920 | 003      | 9330 000087 | 001, 002, 005, 009,<br>015, 016, 021, 022, 027 | 9731 005004 | 020                |
| 9203 003107 | 005, 023                | 9205 023940 | 012      | 9330 000088 | 008  | 9731 006004 | 021                |
| 9203 003354 | 010                     | 9205 024010 | 010      | 9330 000090 | 025  | 9780 001105 | 021                |
| 9203 003627 | 006                     | 9205 024868 | 004      | 9330 000097 | 011, 020, 027                                  | 9781 000002 | 025                |
| 9203 003637 | 016, 021, 022           | 9205 101528 | 002      |             |  | 9790 000400 | 019                |

| Teile-Nr.     | Tafel    | Teile-Nr.   | Tafel              | Teile-Nr.   | Tafel | Teile-Nr. | Tafel |
|---------------|----------|-------------|--------------------|-------------|-------|-----------|-------|
| 9790 020010   | 007      | 9835 001021 | 026                | 9850 001035 | 026   |           |       |
| 9790 130010   | 025      | 9835 101007 | 026                | 9850 767005 | 021   |           |       |
| 9790 201001   | 020, 021 | 9835 200233 | 026                | 9850 767006 | 015   |           |       |
| 9790 315103   | 019      | 9835 200234 | 026                | 9850 767007 | 022   |           |       |
| 9792 001030   | 019      | 9835 200301 | 026                | 9850 767008 | 019   |           |       |
| 9792 051020   | 021      | 9835 200304 | 018                | 9850 767009 | 019   |           |       |
| 9792 071010   | 021      | 9835 200305 | 026                | 9870 001104 | 025   |           |       |
| 9792 301010   | 001      | 9835 200310 | 026                | 9870 001108 | 025   |           |       |
| 9800 130016 R | 024      | 9835 200311 | 026                | 9870 767005 | 021   |           |       |
| 9800 190001   | 016      | 9835 200322 | 026                | 9870 767006 | 015   |           |       |
| 9800 190002   | 016      | 9835 200327 | 027                | 9870 767007 | 026   |           |       |
| 9800 310006   | 024      | 9835 200328 | 026                | 9870 767011 | 022   |           |       |
| 9800 330002   | 024      | 9840 102062 | 025                | 9870 767015 | 019   |           |       |
| 9800 330008   | 024      | 9840 104201 | 023                | 9870 767021 | 023   |           |       |
| 9800 330009   | 024      | 9840 104204 | 025                | 9880 767003 | 018   |           |       |
| 9800 330010   | 024      | 9840 104205 | 021                | MG41 004073 | 023   |           |       |
| 9800 330011   | 024      | 9840 104212 | 021                | MG43 000403 | 024   |           |       |
| 9800 331016   | 024      | 9840 111003 | 014, 021           | MG43 000451 | 024   |           |       |
| 9800 900097   | 016      | 9840 120002 | 024                | MG43 002510 | 024   |           |       |
| 9810 820003   | 026      | 9840 120003 | 023, 025           | MG53 007921 | 021   |           |       |
| 9815 510025   | 023      | 9840 120025 | 019, 023           | MG53 007922 | 021   |           |       |
| 9815 510026   | 016      | 9840 120026 | 019, 027           | MG58 000601 | 025   |           |       |
| 9815 510049   | 016, 023 | 9840 120028 | 021                | MG58 002521 | 025   |           |       |
| 9815 580005   | 026      | 9840 120060 | 024                | N800 005700 | 017   |           |       |
| 9815 710100   | 015      | 9840 120103 | 028                | N800 005701 | 017   |           |       |
| 9815 920015   | 018      | 9840 120203 | 005, 007           | N800 005702 | 017   |           |       |
| 9815 925002   | 019      | 9840 121001 | 006, 015, 023, 024 | N800 005703 | 017   |           |       |
| 9822 510001   | 023      | 9840 121002 | 014                | N800 005704 | 017   |           |       |
| 9822 510012   | 023      | 9840 123002 | 025                | N800 075006 | 017   |           |       |
| 9822 642024   | 023      | 9840 123003 | 023, 024, 025      | OAPP 000301 | 028   |           |       |
| 9825 180302   | 019      | 9840 133001 | 023                |             |       |           |       |
| 9825 190005   | 016      | 9840 136002 | 001, 028           |             |       |           |       |
| 9825 551102   | 005      | 9840 301052 | 021                |             |       |           |       |
| 9825 810302   | 023      | 9840 301150 | 025                |             |       |           |       |
| 9825 810319   | 024      | 9840 302005 | 023                |             |       |           |       |
| 9825 810412   | 024      | 9840 304003 | 014                |             |       |           |       |
| 9830 400401   | 026      | 9840 791001 | 014                |             |       |           |       |

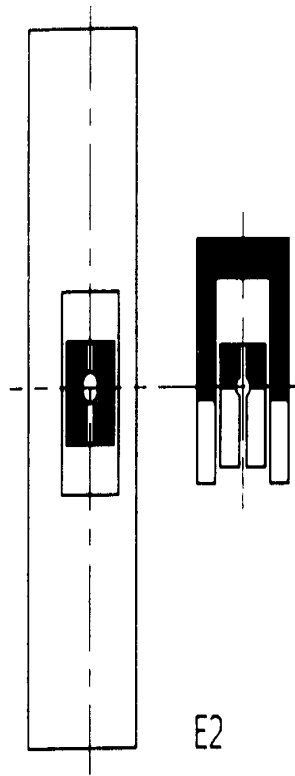


1.



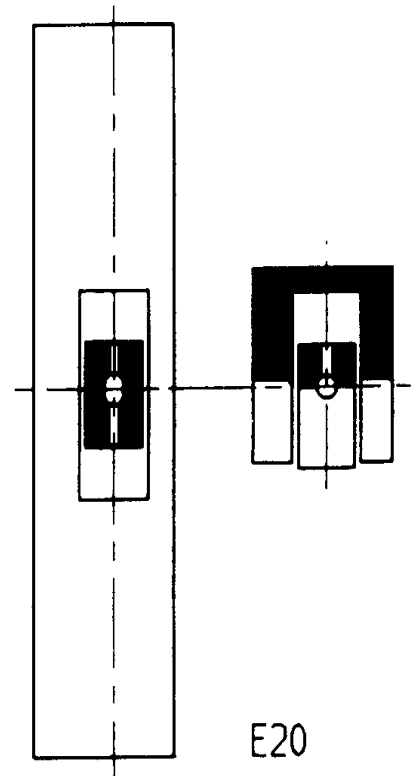
E1

2.



E2

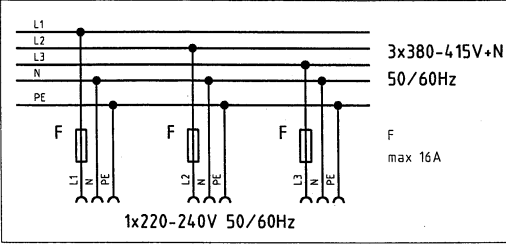
20.



E20

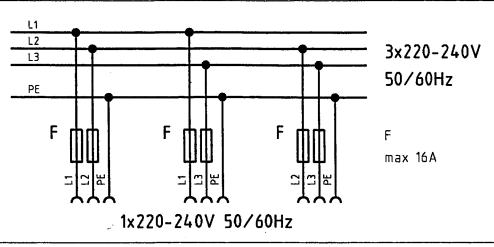


| E-Nr.<br>E-No. | Für Unterklasse / For Subclass  | Stichplatte<br>Throat plate          |                            | Haupttransporteur<br>Main feed dog |                                 |                                      |                              | Presserfuß<br>Presser foot                   |                                    | Transp.Fuß<br>Feeding foot      |                          |                               |   |   |                                 |                          |   |                            |                                |                             |  |              |
|----------------|---|--------------------------------------|----------------------------|------------------------------------|---------------------------------|--------------------------------------|------------------------------|--|------------------------------------|---------------------------------|--------------------------|-------------------------------|---|---|---------------------------------|--------------------------|---|----------------------------|--------------------------------|-----------------------------|--|--------------|
|                |   | Stichlochgröße / Stitch hole size mm | Stichplatte / Throat plate | Schieber, links / Slide, left      | Schieber, rechts / Slide, right | Stichlochgröße / Stitch hole size mm | Sägeverzahnung / Serrated mm | Säge-schrägverzahnung / Serrated, oblique mm | Kreuzverzahnung / Cross toothed mm | Dachverzahnung / Roof-shaped mm | Fester Fuß / Foot, rigid | Gelenkfuß / Foot, articulated | Hebelgelenkfuß / Foot, articulated with lever | Hüpfuß, Kreuzverz. / Foot, skipping cross toothed | Kreuzverzahnung / Cross toothed | Sägeverzahnung, Serrated | Säge-schrägverzahnung / Serrated, oblique | Unverzahnung / Not toothed | Nadelabstand / Needle distance | Nadelhalter / Needle holder | Nadelsystem / -dicke / Needle system / -size |              |
| E 1            | Allgemeine Näharbeiten in mittelschwerem Nähgut.<br>Stichlänge max. 6 mm.<br><br>General stitching operation in medium weight material.<br>Stitch length max. 6 mm. |                                      | 0467 200090                |                                    |                                 | 2,2 x 3,2                            | 0467 210070; 1,4             |  |                                    |                                 |                          |                               | 0367 220993; 0,8                              |   |                                 |                          |   | 0467 220013                |                                |                             |  | 134-35 / 120 |
| E 2            | Allgemeine Näharbeiten in mittelschwerem Nähgut.<br>Stichlänge max. 9 mm.<br><br>General stitching operation in medium weight material.<br>Stitch length max. 9 mm. |                                      | 0467 200020                |                                    |                                 | 2,2 x 3,2                            | 0467 210070; 1,4             |  |                                    |                                 |                          |                               | 0467 220043; 0,8                              |   |                                 |                          |   | 0467 220013                |                                |                             |  | 134-35 / 120 |
| E 20           | Für allgemeine Näharbeiten -<br>spezielle Ausführung für DAA<br><br>For all stitching operations<br>special version for DAA   |                                      | 0467 200260                |                                    |                                 | 2,2 x 3,2                            | 0467 210130; 1,4             |  |                                    |                                 |                          |                               | 0367 221453; 0,8                              |   | 0367 221443; 1,2                |                          |   |                            |                                |                             |  | 134-35 / 160 |

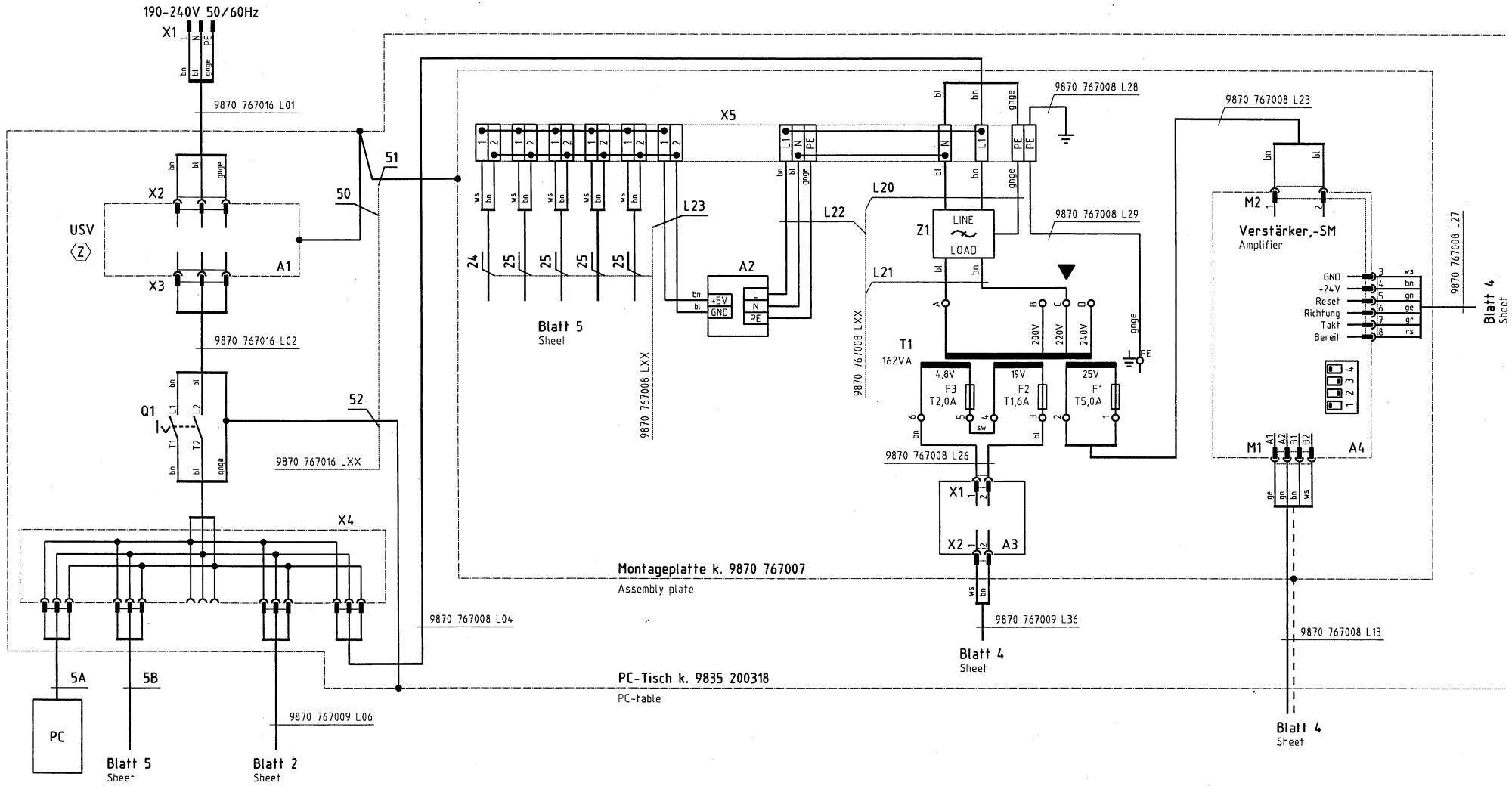


**Anschluß an Drehstromnetze:**  
Terminal to three-phase power supplies.

**Mehrere DC-Antriebe sind gleichmäßig auf alle Phasen zu verteilen.**  
Several dc-drives must be distributed evenly among all phases.



**Hinweis für Umschaltung auf andere Netzspannungen beachten**  
Observe the information on changover to other mainvoltages.



Zusatzausstattung  
Optional equipment

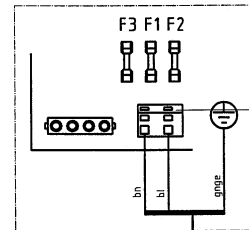
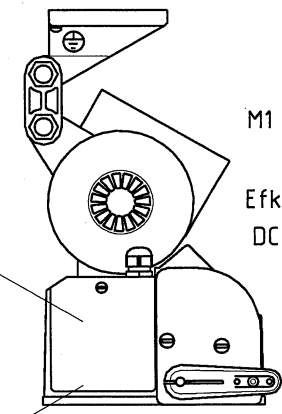
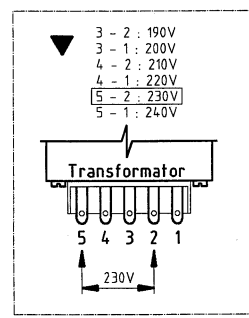
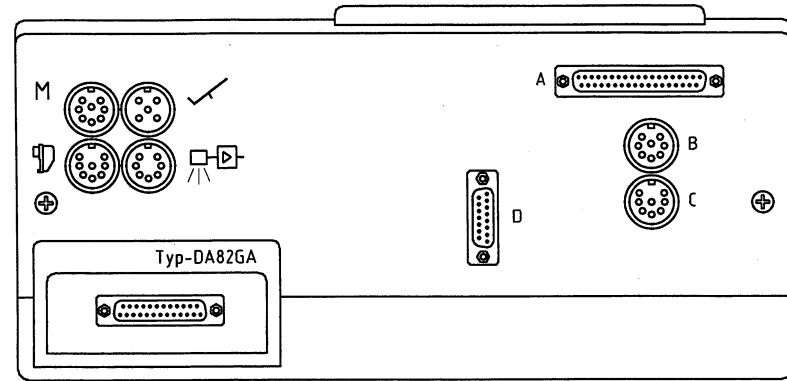
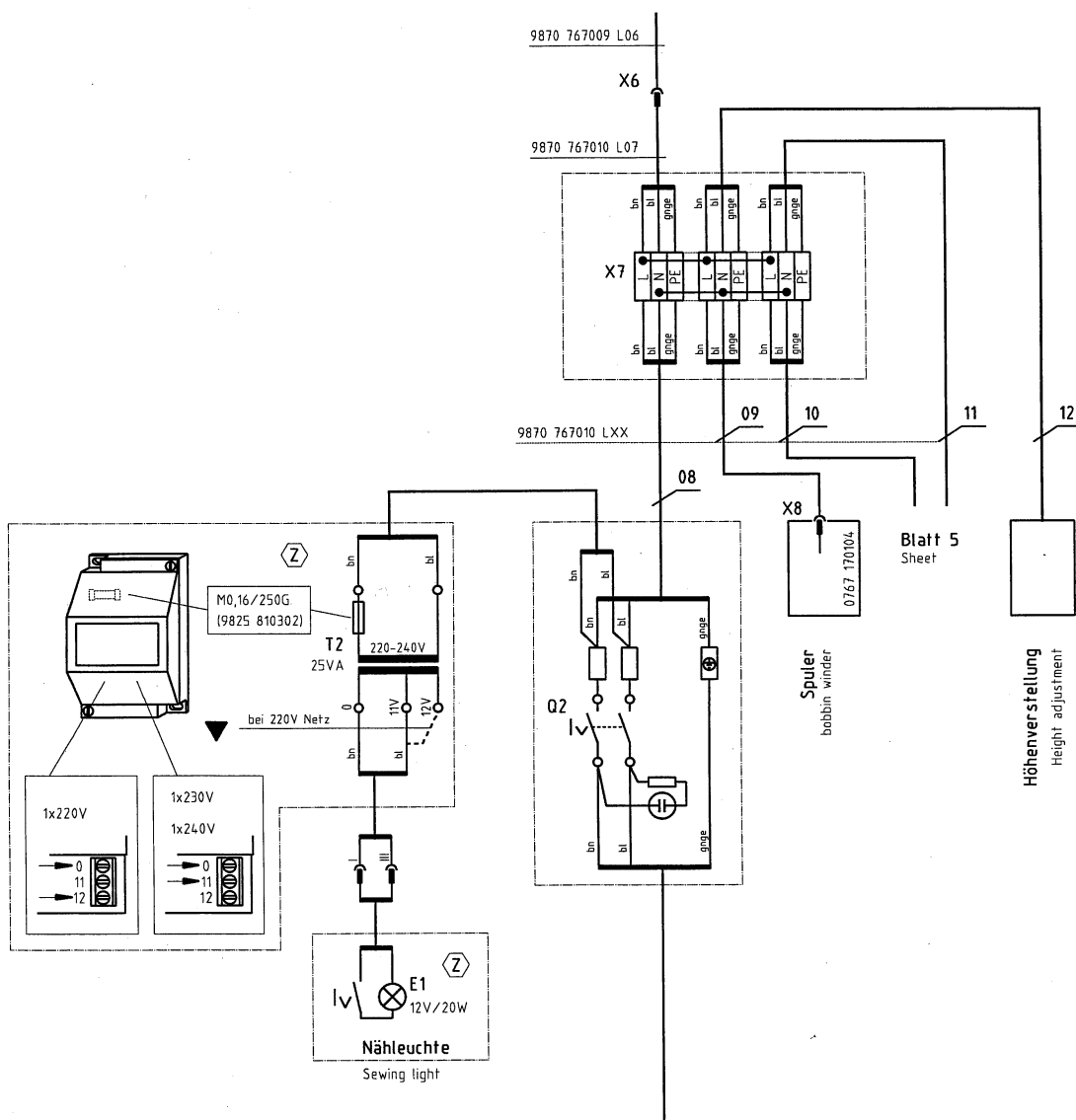
|   |          |          |           |
|---|----------|----------|-----------|
| c |          | Datum    | 05.07.99  |
| b |          | Bearb.   | Hd        |
| a | 01.0     | 15.11.99 | Hd Gepr.  |
|   | Anderung | Datum    | Name Norm |

**DÜR KOPP ADLER AG**  
Bielefeld

|              |           |
|--------------|-----------|
| Teilefamilie | 550-767   |
| Freigabe     | 1111 / 99 |

|               |           |
|---------------|-----------|
| Bauschaltplan | Blatt 1/7 |
| 9890 550004 B |           |

Blatt 1  
Sheet



- Ersatzteile : Spare parts
- F1=M8/250 (9825 810319)
  - F2=M8/250 (9825 810319)
  - F3=T1,25/2500 (9825 810412)

**Z** =Zusatzausstattung  
Optional equipment

**Hinweis für Umschaltung auf  
andere Netzspannungen beachten**  
Observe the information on changeover  
to other mainvoltages

|   |          |          |        |          |
|---|----------|----------|--------|----------|
| c |          |          | Datum  | 05.07.99 |
| b |          |          | Bearb. | Hd       |
| a | 01.0     | 15.11.99 | Hd     | Gepr.    |
|   | Änderung | Datum    | Name   | Norm     |

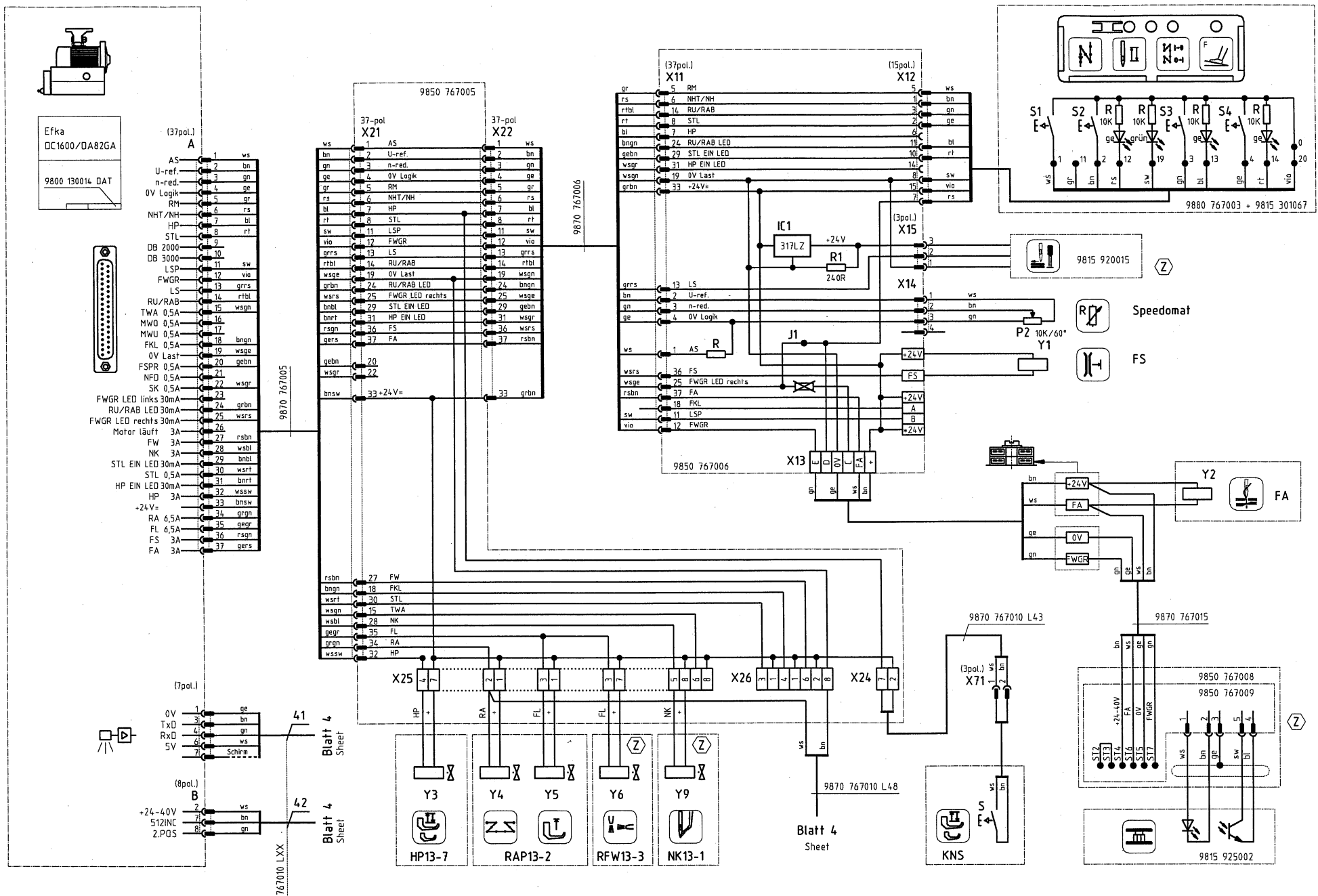
**DÜRKOOP  
ADLER AG  
Bielefeld**

Teilfamilie  
Freigabe  
1111 / 99

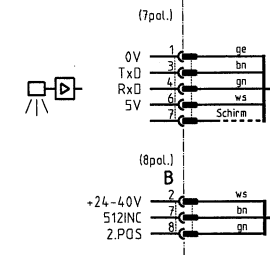
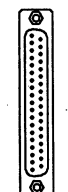
550-767

Bauschaltplan  
9890 550004 B

Blatt  
2/7



Efka  
DC1600/DA82GA  
9800 130014 DAT



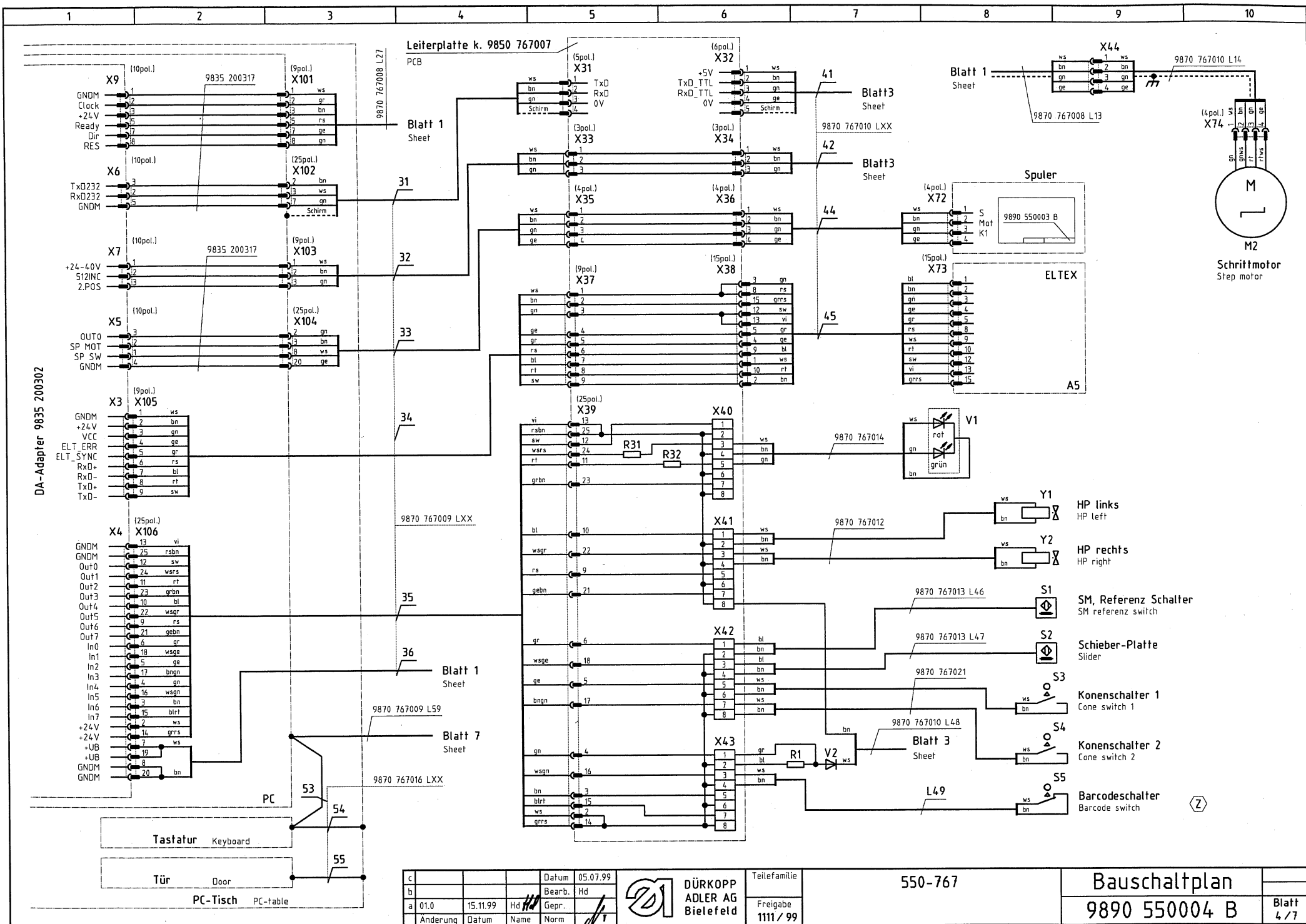
9870 767005

9870 767006

9870 767010 LXX

Blatt 4  
Sheet

|   |          |          |       |          |                                      |             |           |                                |
|---|----------|----------|-------|----------|--------------------------------------|-------------|-----------|--------------------------------|
| c |          |          | Datum | 05.07.99 | <br>DÜRKOPP<br>ADLER AG<br>Bielefeld | Teilfamilie | 550-767   | Bauschaltplan<br>9890 550004 B |
| b |          | Bearb.   | Hd    |          |                                      | Freigabe    | 1111 / 99 |                                |
| a | 01.0     | 15.11.99 | Hd    | Gepr.    |                                      |             |           |                                |
|   | Änderung | Datum    | Name  | Norm     |                                      |             |           |                                |



DA-Adapter 9835 200302

Leiterplatte k. 9850 767007  
PCB

Blatt 1  
Sheet

Blatt 3  
Sheet

Blatt 3  
Sheet

Blatt 1  
Sheet

Blatt 7  
Sheet

Blatt 3  
Sheet

Tastatur Keyboard

Tür Door

PC-Tisch PC-table

|   |          |          |           |          |
|---|----------|----------|-----------|----------|
| c |          |          | Datum     | 05.07.99 |
| b |          |          | Bearb. Hd |          |
| a | 01.0     | 15.11.99 | Hd Gepr.  |          |
|   | Anderung | Datum    | Name      | Norm     |



**DÜRKOPP  
ADLER AG**  
Bielefeld

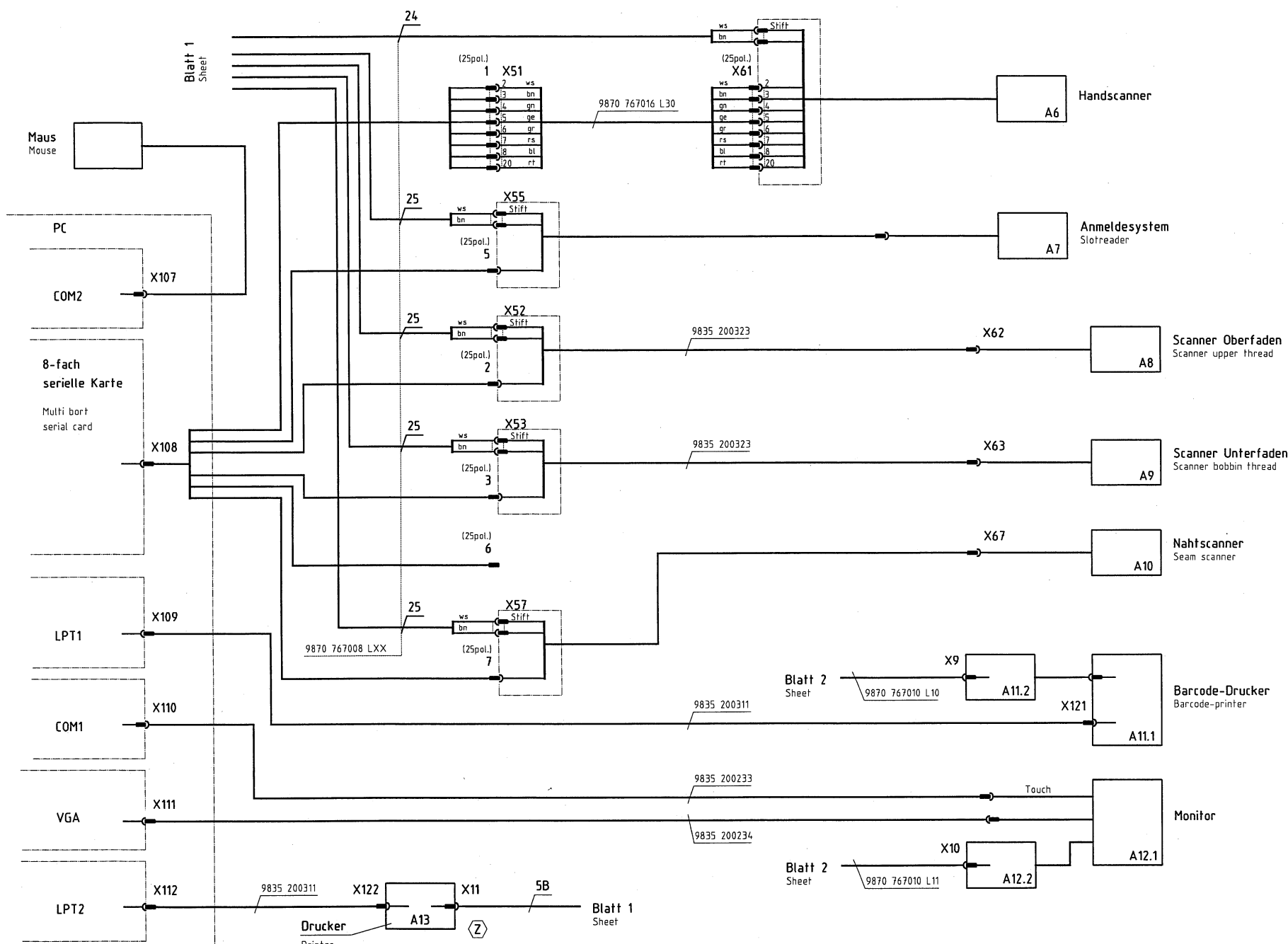
550-767

Teilefamilie  
Freigabe  
1111 / 99

**Bauschaltplan**  
**9890 550004 B**

Blatt  
4 / 7





|   |          |          |        |          |
|---|----------|----------|--------|----------|
| c |          |          | Datum  | 05.07.99 |
| b |          |          | Bearb. | Hd       |
| a | 01.0     | 15.11.99 | Hd     | Gepr.    |
|   | Anderung | Datum    | Name   | Norm     |

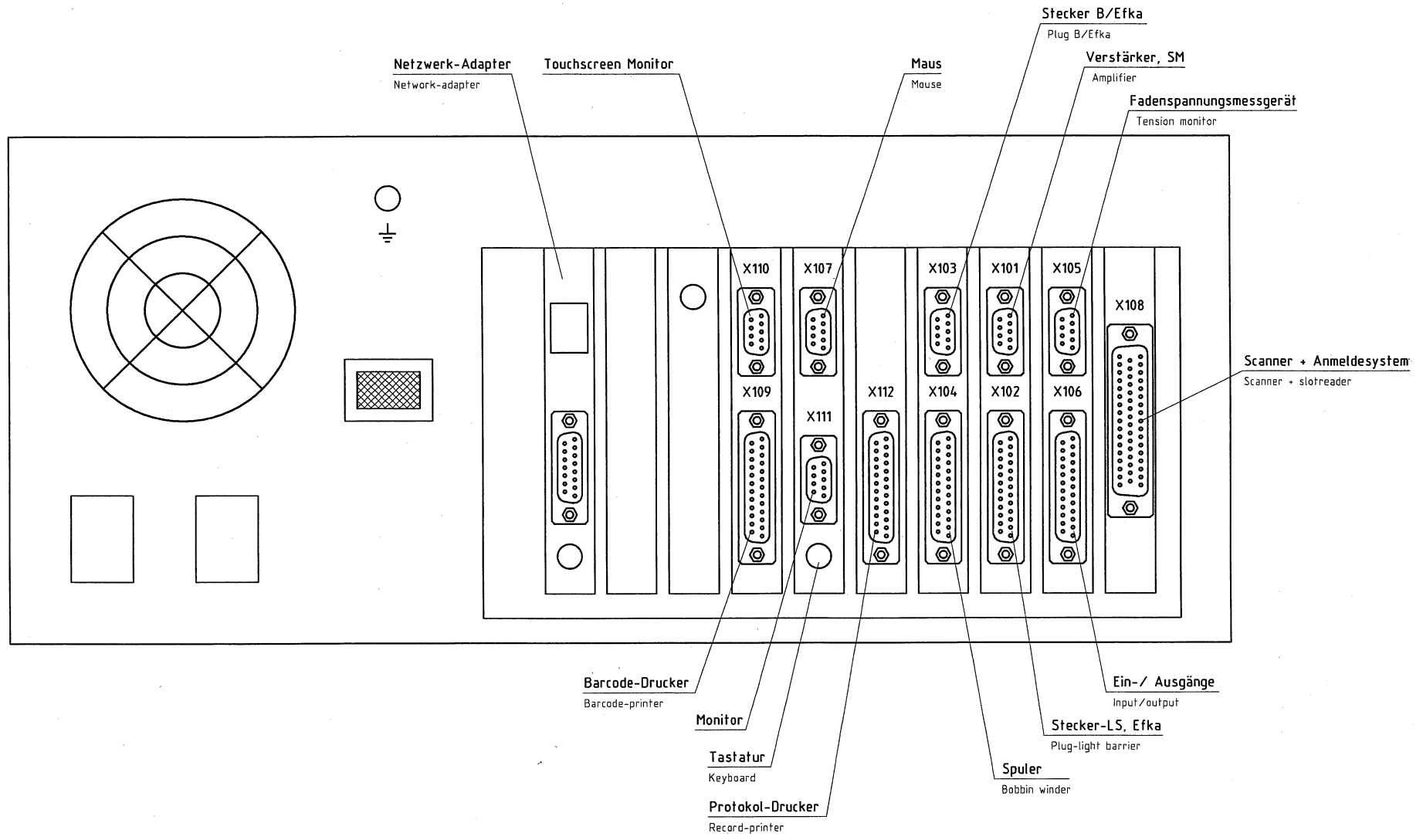



**DÜRKOPP  
ADLER AG**  
Bielefeld

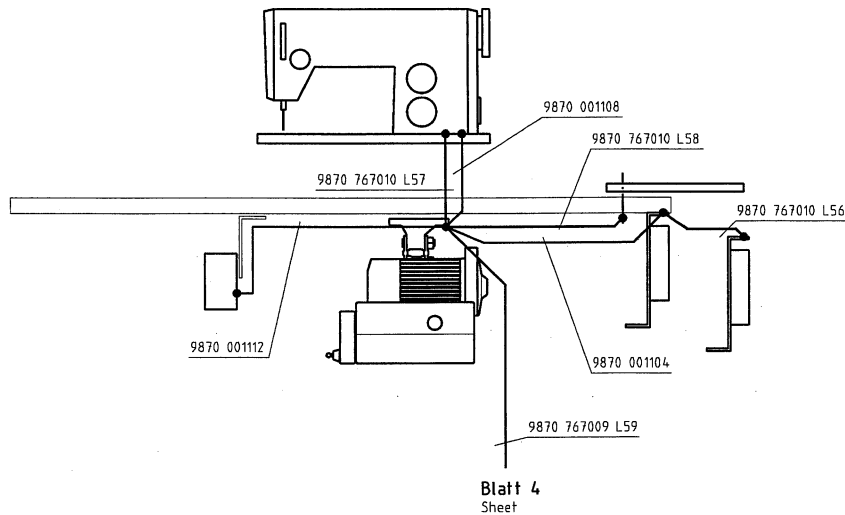
|             |           |
|-------------|-----------|
| Teilfamilie | 550-767   |
| Freigabe    | 1111 / 99 |

**Bauschaltplan**  
9890 550004 B

Anschlüsse für externe Geräte  
Connections for external devices



|   |          |          |      |        |                    |  |             |  |                                       |                |
|---|----------|----------|------|--------|--------------------|--|-------------|--|---------------------------------------|----------------|
| c |          |          |      | Datum  | 05.07.99           |  <b>DÜRKOPP<br/>ADLER AG</b><br>Bielefeld | Teilfamilie | 550-767<br>PC, Anschlüsse<br>PC, connections | <b>Bauschaltplan</b><br>9890 550004 B | Blatt<br>6 / 7 |
| b |          |          |      | Bearb. | Hd                 |  | Freigabe    |  |                                       |                |
| a | 01.0     | 15.11.99 | Hd   | Gepr.  | <i>[Signature]</i> |  |             |  |                                       |                |
|   | Anderung | Datum    | Name | Norm   | <i>[Signature]</i> |  |             |  |                                       |                |



Potentialausgleich  
Potential compensation

Blatt 4  
Sheet

| Kurz   | Teilenummer   | Benennung         | denomination          | Typ                 | Bemerkung          |
|--------|---------------|-------------------|-----------------------|---------------------|--------------------|
| A1     | 9835 200315   | Netzteil, USV     | power supply, USV     | 230V, 1000VA        |                    |
| A2     | 9835 001021   | Netzteil          | power supply          | PS 5V/3A            | 5V                 |
| A3     | 9850 001035   | Netzteil          | power supply          |                     |                    |
| A4     | 9835 101007   | Verstärker,-SM    | amplifier             | KS-MICRO2-DK-001    |                    |
| A5     | 9835 200304   | Faden.Messgerät   | Tension monitor       | ETM422              |                    |
| A6     | 9835 200328   | Handscanner       | handscanner           | DLC7070-M1          |                    |
| A7     | 9835 200330   | Anmeldesystem     | slotreader            | DLS2032I-M0         |                    |
| A8, A9 | 9835 200326   | Scanner           | scanner               | DS2100              |                    |
| A10    | 9835 200327   | Scanner           | scanner               | DS2200              |                    |
| A11    | 9835 200305   | Drucker           | printer               | TLP-2242            |                    |
| A11.1  |               | Drucker           | printer               |                     |                    |
| A11.2  |               | Netzteil, Drucker | power supply, printer |                     |                    |
| A12    | 9835 200310   | Monitor           | monitor               | Touchscreen-Monitor |                    |
| A12.1  |               | Monitor           | monitor               |                     |                    |
| A12.2  |               | Netzteil, Monitor | power supply, monitor |                     |                    |
| A13    | 9835 200320   | Drucker, Nadel    | printer, needle       |                     |                    |
| E1     | 9822 510000   | Nähleuchte        | sewing lamp           | 12V/20W             |                    |
| E1.1   | 9822 642024   | Lampe             | lamp                  | 12V/20W             |                    |
| F1     | 9825 810423   | Sicherung         | fuse                  | T5,0A               | 5x20mm             |
| F2     | 9825 810413   | Sicherung         | fuse                  | T1,6A               | 5x20mm             |
| F3     | 9825 810414   | Sicherung         | fuse                  | T2,0A               | 5x20mm             |
| M1     | 9800 130102 R | Nähantrieb        | sewing motor          | DC1600/DA82GA       | 1x190-240V 50/60Hz |
| M1.1   | 9800 130103   | Nähmotor          | sewing motor          | DC1600              | 230V               |
| M1.2   | 9800 331102   | Steuerkasten      | control box           |                     |                    |
| M2     | 9800 580014   | Schrittmotor k.   | step motor            |                     |                    |
| PC     | 9835 200322   | Computer          | computer              |                     |                    |
| Q1     | 9815 580005   | Netzschalter      | main switch           |                     |                    |
| Q2     |               | Netzschalter/Efka | main switch           |                     |                    |
| R1     | 9810 321109   | Widerstand        | resistor              | 2k2                 |                    |
| S1, S2 | 9815 710100   | Induktivgeber     | aproximate switch     | M8x1                |                    |
| S3, S4 | 9815 510025   | Mikroschalter     | micro switch          |                     |                    |
| T1     | 9810 820003   | Transformator     | transformer           | 230/25V-19V-4,8V    |                    |
| T2     | 0798 500088   | Transformator     | transformer           | 230/12V, 25VA       |                    |
| V2     | 9805 111001   | Diode             | diode                 | 1N4007              |                    |
| X4     |               | Steckdosenleiste  |                       |                     |                    |
| X5     | 9825 510011   | Klemmleiste       |                       |                     |                    |
| X7     | 9825 570004   | Klemmleiste       |                       |                     |                    |
| Z1     | 9810 711003   | Netzfilter        | filter                | 3VK1, 3A            |                    |

9890 550004 B/7

|   |          |          |        |          |
|---|----------|----------|--------|----------|
| c |          |          | Datum  | 05.07.99 |
| b |          |          | Bearb. | Hd       |
| a | 01.0     | 15.11.99 | Hd     | Gepr.    |
|   | Anderung | Datum    | Name   | Norm     |



DÜRKOPP  
ADLER AG  
Bielefeld

|             |           |
|-------------|-----------|
| Teilfamilie |           |
| Freigabe    | 1111 / 99 |

550-767  
Teieliste  
part list

Bauschaltplan  
9890 550004 B

Blatt  
7 / 7