

Single Thread, Chainstitch Button Attaching Machine
 高速単糸環縫ボタン付ミシン

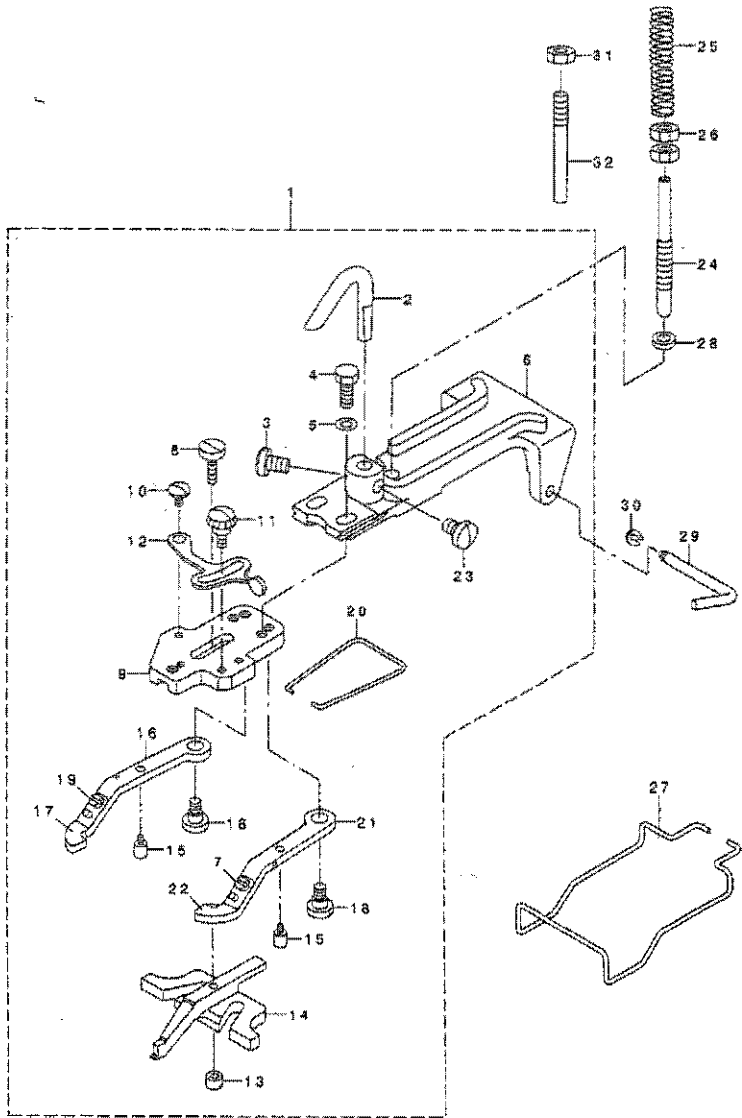
MB-1373
MB-1377

PARTS LIST

40041090
 No.1493-00

1. BUTTON CLAMP MECHANISM COMPONENTS

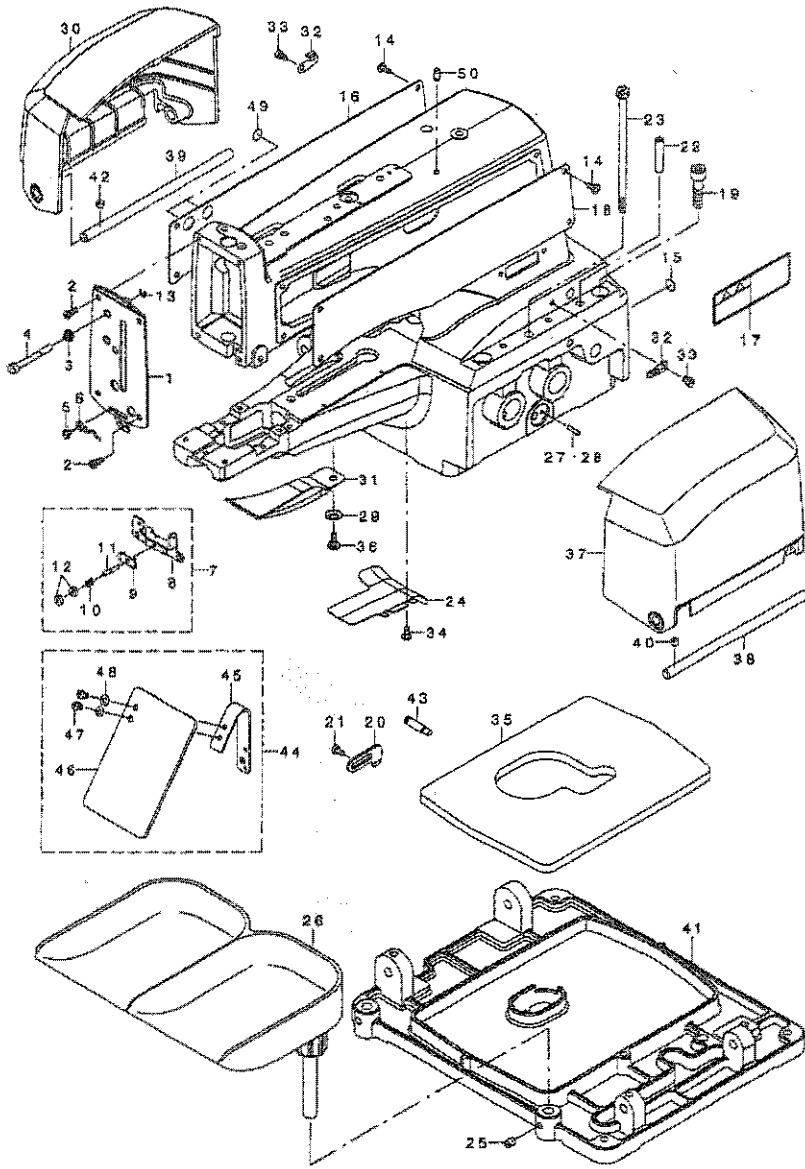
ボタンつまみ関係



REF. NO.	NOTE	PART NO.	DESCRIPTION	QTY
1		260-26856	PICK-UP DEVICE ASM.	1
2		400-41058	BUTTON CLAMP LIFTING HOGE	(1)
3		SS-7150940-SP	SCREW 15/64-28 L=8	(1)
4		SS-9621413-SP	SCREW 3/16-32 L=13.5	(2)
5		WF-0501016-SP	WASHER 5X10.5X1	(2)
6		260-26502	BUTTON CLAMP HOLDER	(1)
7		SS-7090410-SP	SCREW 9/64-40 L=3.5	(1)
8		SP-0500501-SP	HINGE SCREW D=5.5 H=3	(1)
9		260-25403	JAW LEVER HOLDER	(1)
10		SP-0500101-SP	HINGE SCREW D=5.50 H=1.5	(1)
11		260-26505	CLAMP SCREW A	(1)
12		260-26700	SNAP FASTENER CLAMP STOP LEVER	(1)
13		260-26000	NUT	(1)
14		260-26308	BUTTON CLAMP SLIDE	(1)
15		260-26609	BUTTON CLAMP STOP PIN	(2)
16		260-25104	BUTTON CLAMP LEVER JAW (LEFT)	(1)
17		260-26203	BUTTON HOLDING SPRING, LEFT	(1)
18		SP-0640301-TP	HINGE SCREW D=6.35 H=3.5	(1)
19		SS-7090410-SP	SCREW 9/64-40 L=3.5	(1)
20		260-26708	BUTTON CLAMP SPRING	(1)
21		260-26302	BUTTON CLAMP LEVER JAW, RIGHT	(1)
22		260-26401	BUTTON HOLDING SPRING, RIGHT	(1)
23		SS-7150940-SP	SCREW 15/64-28 L=8	(1)
24		400-40638	BUTTON CLAMP PRESSURE ADJUSTIN	1
25		260-27102	PRESSURE ADJUSTING SPRING	1
26		SN-6060001-CP	NUT M6	2
27		260-27409	FINGER GUARD	1
28		400-41069	SPRING HOLDING PLATE...	1
29		260-25205	HINGE PIN	1
30		22E41-372-000	SNAP RING	1
31		RF-6060001-CP	NUT M6	1
32		400-40637	PICK_UP_DEVICE_STOPPER_PIN	1

2. ARM & MISCELLANEOUS COVERS COMPONENTS

アームベッド関係

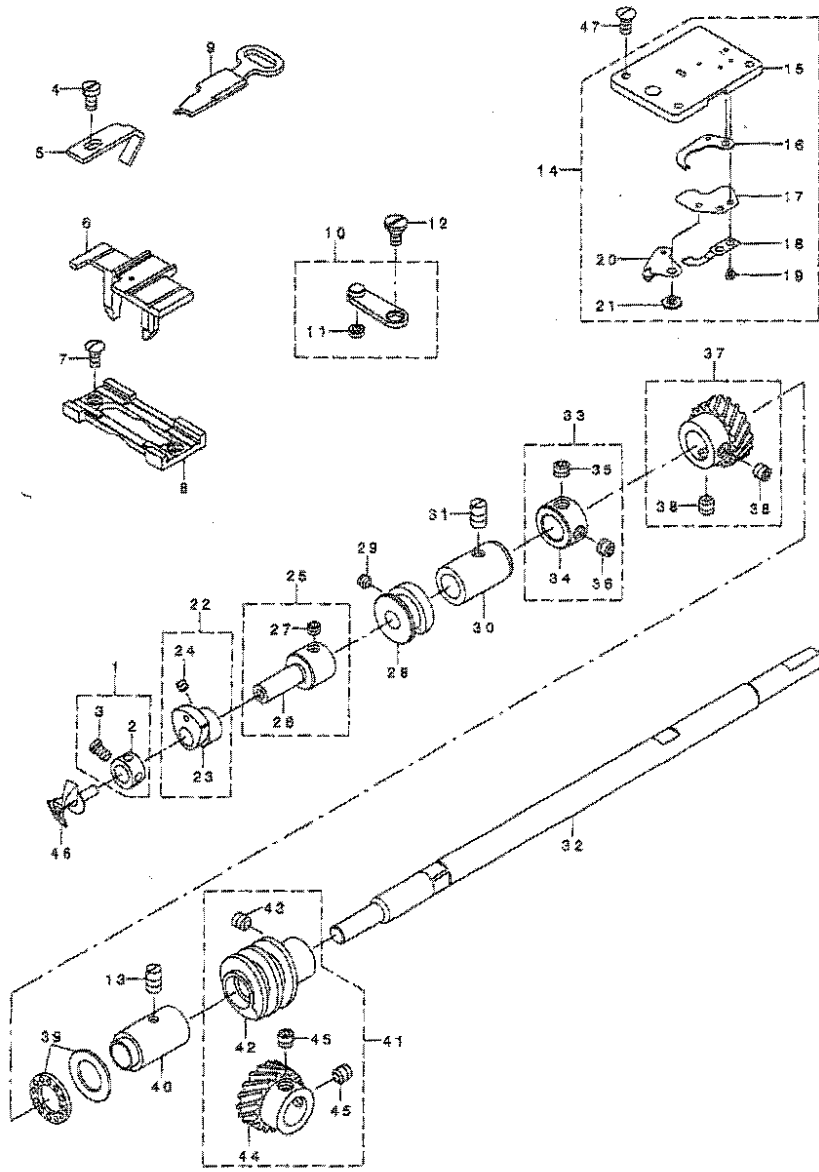


NO.	NOTE	PART NO.	DESCRIPTION	QTY.
1		400-38426	FACE PLATE COMPL.	1
2		SM-4040855-SP	SCREW	4
3		260-21600	TENSION SPRING	1
4		260-32043	NIPPER RELEASING STUD	1
5		SM-6040660-TP	SCREW	1
6		260-31203	THREAD GUIDE NO.4	1
7		260-31351	THREAD TENSION NG.5 ASM.	1
8		260-31302	TENSION ADJUSTING BASE NO.3	(1)
9		260-31401	THREAD PRESSER PLATE	(1)
10		260-31500	TENSION SPRING B	(1)
11		260-31608	THREAD TENSION STUD	(1)
12		260-31708	THREAD TENSION NUT	(2)
13		RE-0320000-KD	E-RING 3.2	1
14		SM-4040855-SP	SCREW	8
15		TA-2050406-RO	RUBBER PLUG	1
16		400-40931	SIDE COVER RIGHT	1
17		CM-3015000-01	SAFETY LABEL	1
18		400-40832	SIDE COVER LEFT	1
19		SM-6083042-CH	SCREW M6 L=30	4
20		260-33704	STOPPER	1
21		SM-6050800-SP	SCREW M6 L=8	2
22		260-11205	GUIDE PIN	2
23		400-38433	SET SCREW	1
24		400-38431	BED OIL SHIELD	1
25		SM-8080610-TP	SCREW	1
26		400-41025	BUTTON TRAY ASM.	1
27	#01	260-22608	CAM INDICATING PIN A	2
28	#01	260-22707	CAM INDICATING PIN B	2
29		RS-0650389-KP	SPRING WASHER 6.5X14.0X1.7	1
30		400-38425	SIDE COVER LEFT	1
31		400-38430	LOOPER COVER	1
32		400-41067	SIDE COVER SPRING	2
33		SM-6040600-SP	SCREW M4 L=6	2
34		SM-4040855-SP	SCREW	1
35		400-38173	OIL DRIP FELT	2
36		SD-0600277-TP	SHOULDER SCREW D=6 H=2.7	1
37		400-38424	SIDE COVER RIGHT	1
38		400-40836	SIDE COVER HINGE SHAFT RIGHT	2
39		400-40930	SIDE COVER HINGE SHAFT LEFT	1
40		SM-8080912-TP	SCREW M6 L=6	1
41		400-38446	MACHINE SIDE BASE	1
42		SM-8060612-TP	SCREW M6 L=6	1
43		400-38471	SUSPENSION SCREW B	1
44		400-54729	ASST SAFETY PLATE	1
45		400-54730	SAFETY PLATE INSTALLING BASE	(1)
46		260-37200	SAFETY PLATE	(1)
47		SM-4040855-SP	SCREW M4 L=6	(2)
48		WP-0430800-S3	WASHER M4	(2)
49		TA-1250406-RO	RUBBER PLUG D=12.5 L=4	2
50		PS-0600102-KZ	SPRING PIN 5.0X10	1

NOTE (注記) #01... SELECTIVE PARTS 選択部品

3. LOOPER SHAFT MECHANISM COMPONENTS

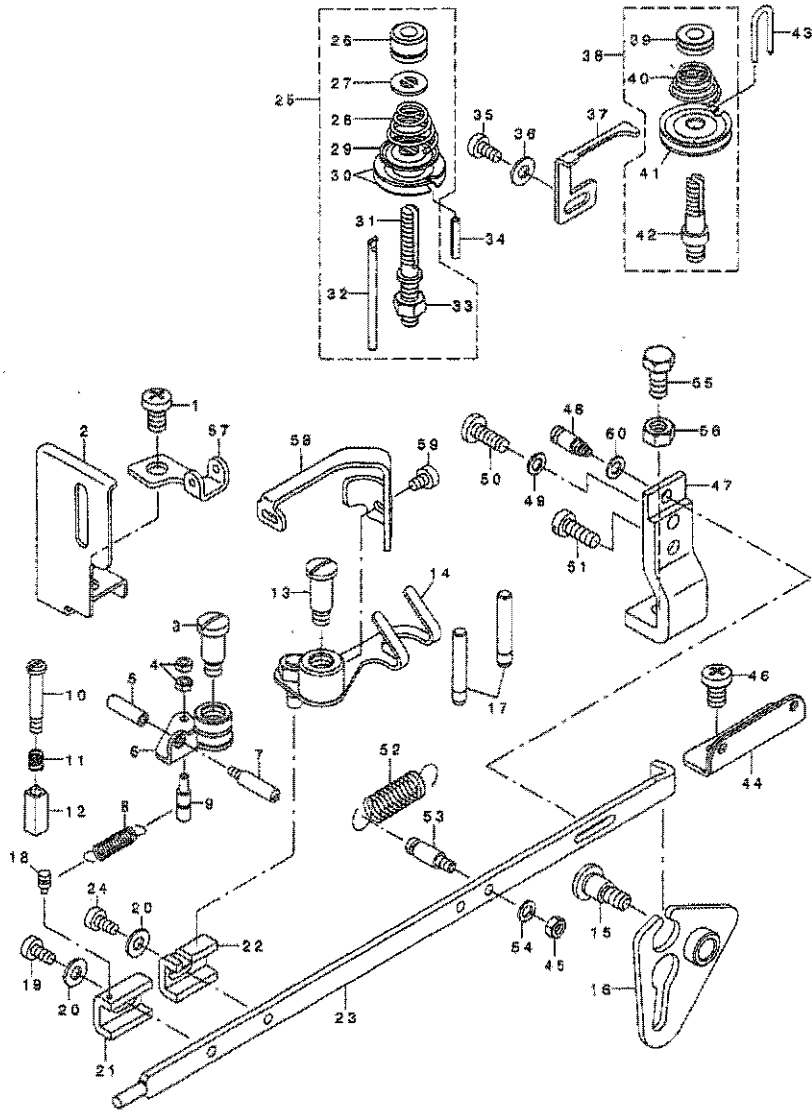
ルーバー軸関係



REF. NO.	NOTE	PART NO.	DESCRIPTION	QTY
1		CS-079072A-TH	THRUST COLLAR ASM.	1
2		CS-079072I-TH	THRUST COLLAR D=7.94 W=7	(1)
3		SS-7090620-TP	SCREW 9/64-40 L=6.1	(1)
4		SM-6040900-SP	SCREW	1
5		400-38484	NEEDLE GUARD	1
6		260-13807	POSITIONING FINGER YOKE SLIDE	1
7		SM-1040950-TP	SCREW M4 L=9	2
8		260-13409	YOKE SLIDE INSERT	1
9		260-13805	YOKE SLIDE	1
10		400-38400	ASSY LOOP POSITIONING FINGER L	1
11		400-38403	LOOP POSITIONING FINGER CAM RO	(1)
12		SD-0640248-SP	HINGE SCREW D=6.35 H=2.4	1
13		SM-8061010-TP	SCREW	1
14		E1241-377-0B0	THROAT PLATE SET	1
15		E1241-377-0A0	THROAT PLATE ASM.	(1)
16		E2702-377-0A0	THREAD BIND PLATE ASM.	(1)
17		E2702-377-000	THREAD BIND SUPPORT PLATE	(1)
18		E2410-373-000	COUNTER KNIFE	(1)
19		SS-7090310-SP	SCREW 1/8-44 L=3.0	(2)
20		E2405-373-0A0	MOVING KNIFE ASM.	(1)
21		SD-0600085-TH	HINGE SCREW D=6 H=0.85	(1)
22		400-41106	ASSY LOOP POSITIONING FINGER_C	1
23		260-03103	LOOP POSITIONING FINGER CAM	(1)
24		SS-8170410-TP	SCREW 11/64-40 L=3.5	(2)
25		400-38482	ASSY CAM AND LOOPER SLEEVE	1
26		260-15503	CAM AND LOOPER SLEEVE	(1)
27		SS-8160410-TP	SCREW 15/64-28 L=4.0	(2)
28		E1225-372-000	LOOP POSITIONING FINGER CAM RE	1
29		SS-8110310-SP	SCREW 11/64-40 L=2.8	2
30		260-15305	LOOPER SHAFT BUSHING FRONT	1
31		SM-8061010-TP	SCREW	1
32		400-38111	LOOPER SHAFT	1
33		CS-111101K-SH	THRUST COLLAR ASM. D=11.11 W=1	1
34		CS-1111019-SH	THRUST COLLAR D=11.11 W=10	(1)
35		SS-8660512-TP	SCREW 1/4-40 L=5	(1)
36		SS-8660512-TP	SCREW 1/4-40 L=5	(1)
37		E1224-372-0A0	LOOPER SHAFT DRIVEN GEAR ASM.	1
38		SS-8660612-TP	SCREW 1/4-40 L=6	(2)
39		E1215-372-A00	THRUST BALL BEARING	1
40		260-13102	LOOPER SHAFT BUSHING REAR	1
41		E1221-373-R40	WORM WHEEL ASM.	1
42		E1221-373-R00	WORM	(1)
43		SS-8660712-TP	SCREW 1/4-40 L=7.0	(2)
44		E1220-372-000	CAM SHAFT DRIVEN GEAR	(1)
45		SS-8660612-TP	SCREW 1/4-40 L=6	(2)
46		E1239-372-000	LOOPER	1
47		SM-1040950-TP	SCREW M4 L=9	3

4 NIPPER & THREAD TENSION PARTS COMPONENTS

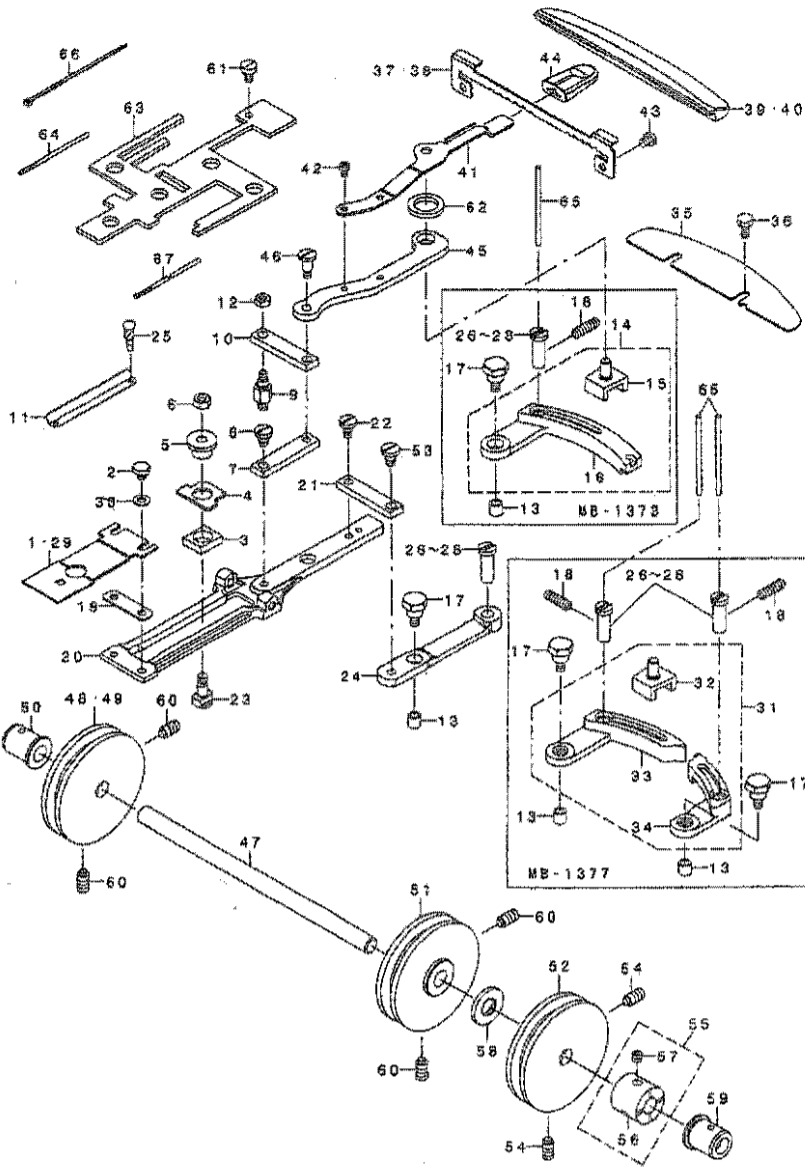
糸調子、ニッパー関係



REF. NO.	NOTE	PART NO.	DESCRIPTION	単位	数量
1		SM-4061255-SP	SCREW M6 L=12	ナット	1
2		400-38205	NEEDLE BAR GUARD	針棒ガード	1
3		SD-0791276-TP	SHOULDER SCREW	5° 23.5° D=7.94 H=12.7	1
4		NM-6036001-SN	NUT	ワッシャー	2
5		260-20662	NUT	ナット (付ネジ)	1
6		260-00950	NIPPER COMPL.	ニッパー (付ネジ)	1
7		260-20603	LOOPER SHAFT BUSHING REAR	ニッパー (付ネジ)	1
8		400-41077	NIPPER BAR BLOCK SPRING	ニッパー (付ネジ)	1
9		400-38482	NIPPER BAR BLOCK SPRING SCREW	ニッパー (付ネジ)	1
10		SD-0462801-TP	HINGE SCREW D=4 H=20	5° 23.5° D=4 H=20	1
11		260-20404	NIPPER SLIDE BLOCK SPRING	ニッパー (付ネジ)	1
12		260-20306	NIPPER BLOCK	ニッパー (付ネジ)	1
13		SD-0761506-TP	SHOULDER SCREW D=7.94 H=16	5° 23.5° D=7.94 H=16	1
14		400-38476	THREAD PULL OFF LEVER ASH	糸調子 (付ネジ)	1
15		SD-0790806-TP	SHOULDER SCREW D=7.94 H=8	5° 23.5° D=7.94 H=8	1
16		260-00455	NIPPER BAR ACTUATING LEVER ASH	糸調子 (付ネジ)	1
17		260-20206	THREAD GUIDE PIN	糸調子 (付ネジ)	2
18		260-18406	NIPPER BAR BLOCK SPRING PIN	ニッパー (付ネジ)	1
19		SM-6040800-SP	SCREW	ワッシャー	1
20		WP-0450801-SP	WASHER	ワッシャー	2
21		260-19307	NIPPER BAR BLOCK	ニッパー (付ネジ)	1
22		260-19208	TENSION LEVER ROCKING PIECE	糸調子 (付ネジ)	1
23		400-38479	NIPPER BAR	糸調子 (付ネジ)	1
24		SM-6040800-SP	SCREW	ワッシャー	1
25		400-38208	TENSION POST ASH NO.2	糸調子 (付ネジ)	1
26		400-38214	TENSION NUT	糸調子 (付ネジ)	(1)
27		229-21407	ROTATION STOPPER	糸調子 (付ネジ)	(1)
28		260-19901	THREAD TENSION SPRING	糸調子 (付ネジ)	(1)
29		260-20107	THREAD TENSION DISK PRESSER	糸調子 (付ネジ)	(1)
30		260-05207	THREAD TENSION DISK NO.1	糸調子 (付ネジ)	(2)
31		400-38210	TENSION POST NO.2	糸調子 (付ネジ)	(1)
32		260-19902	TENSION RELEASE PIN	糸調子 (付ネジ)	(1)
33		NM-6060001-CP	NUT M6	ワッシャー M6	(1)
34		PS-0300162-KH	SPRING PIN 3X16	3° 30' 16° 3X16	1
35		SM-6040800-SP	SCREW	ワッシャー	1
36		WP-0450801-SP	WASHER	ワッシャー	1
37		260-19109	THREAD TENSION RELEASING LEVER	糸調子 (付ネジ)	1
38		400-38404	ASSY_THREAD_TENSION_NO.1	糸調子 (付ネジ)	1
39		400-38406	THREAD TENSION NUT	糸調子 (付ネジ)	(1)
40		260-05206	FIRST THREAD TENSION SPRING	糸調子 (付ネジ)	(1)
41		260-05207	THREAD TENSION DISK NO.1	糸調子 (付ネジ)	(2)
42		400-38405	THREAD TENSION POST NO.1	糸調子 (付ネジ)	(1)
43		260-19805	THREAD GUIDE	糸調子 (付ネジ)	1
44		260-21402	THREAD GUIDE NO.1	糸調子 (付ネジ)	1
45		NM-6040002-SN	NUT M4	ワッシャー M4X0.7 23°	1
46		SM-4061255-SP	SCREW M6 L=12	ナット M6 L=12	1
47		400-38396	NIPPER BAR BEARING BLOCK	糸調子 (付ネジ)	1
48		400-38206	ADJUSTING SCREW	糸調子 (付ネジ)	1
49		WP-0550800-SP	WASHER 5.5X10X0.8	ワッシャー 5.5X10X0.8	1
50		SM-70E1460-TP	SCREW M6 L=14	ワッシャー M6 L=14	1
51		SM-60E1400-SP	SCREW	ワッシャー	1
52		260-16000	THREAD TENSION SPRING	糸調子 (付ネジ)	1
53		400-38207	NIPPER BAR SPRING SCREW	糸調子 (付ネジ)	1
54		WP-0450806-SP	WASHER	ワッシャー	1
55		SM-90E1402-CP	SCREW M6 L=14	ワッシャー M6	1
56		NM-6060001-SE	NUT M6	ワッシャー M6 13°	1
57		260-21105	THREAD GUIDE	糸調子 (付ネジ)	1
58		400-38320	LEVER	糸調子 (付ネジ)	1
59		SM-6040800-SP	SCREW M4 L=6	ワッシャー M4 L=6	1
60		WP-0501016-SD	WASHER 5X10.5X1	ワッシャー 5X10.5X1	1

5. FEED PLATE COMPONENTS

送り関係

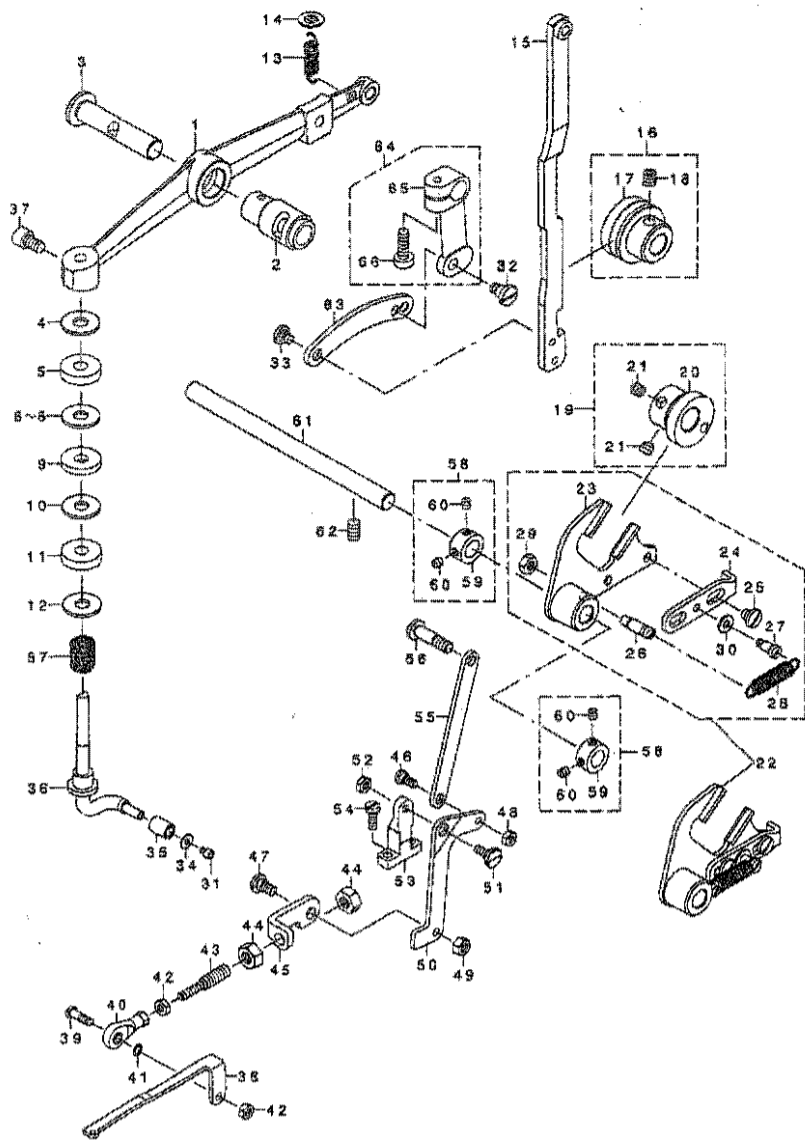


REF. NO.	NOTE	PART NO.	DESCRIPTION	QTY.
1		82028-373-000	FEED PLATE, SMALL BUTTON	1
2		53-9120443-1P	SCREW 3/16-28 L=6	2
3		260-24904	INDICATOR PIN BEARING BLOCK	1
4		260-24901	CROSSWISE FEED INDICATOR	1
5		260-24703	CROSSWISE FEED INDICATOR FIN	1
6		MB-1373	MB-1373	1
7		400-38489	SLIDE PLATE CONNECTING LINK	1
8		5D-0640481-5P	SLIDE SCREW D=6.35 H=4.8	1
9		400-38489	STOP	1
10		260-24600	INTERMEDI CONNECTING LINK	1
11		400-41052	CROSSWISE FEED INDICATOR PLATE	1
12		MB-1373	MB-1373	1
13		250-23370	CAM ROLL	2
14		400-41046	LENGTHWISE FEED LEVER ARM ASSY	1
15		400-38453	LENGTHWISE FEED LEVER SLIDE	(1)
16		400-41022	FEED LEVER STOP	(1)
17		400-38486	CAM ROLL SCREW STOP	2
18		58-5011112-7P	SCREW M8X12	1
19		260-24908	SPACER PLATE	1
20		82028-373-000-A	FEED PLATE	1
21		260-24600	INTERMEDI CONNECTING LINK	1
22		5D-0640481-5P	SLIDE SCREW D=6.35 H=4.8	1
23		400-38421	SLIDE SCREW FOR CROSSWISE FEED	1
24		400-38453	CROSSWISE FEED LEVER	1
25		11161-227-000	RIVET	2
26		400-41056	FEED STUD B	1
27		400-41056	FEED STUD C	1
28		400-41057	FEED STUD D	1
29		82028-373-000-A	FEED PLATE, SMALL BUTTON	1
30		58-5011112-7P	SCREW M8X12	1
31		400-38453	LENGTHWISE FEED LEVER SLIDE	(1)
32		400-38453	LENGTHWISE FEED LEVER SLIDE	(1)
33		400-38453	LENGTHWISE FEED LEVER SLIDE	(1)
34		400-38453	LENGTHWISE FEED LEVER SLIDE	(1)
35		400-41051	FEED END GUIDE PLATE	1
36		38-8050213-3E	SCREW M8X12 L=6	1
37		400-42279	PLATE BASE (MB-1373)	1
38		400-38486	PLATE BASE (MB-1377)	1
39		400-38313	GRADUATE PLATE (MB-1373)	1
40		400-38314	GRADUATE PLATE (MB-1377)	1
41		400-40967	HARDENED INDICATOR SPRING	1
42		38-4040815-5P	SCREW M4 L=6	2
43		58-4050855-5P	SCREW	2
44		400-38442	KNOS	1
45		400-40966	INDICATOR SPRING CONNECTING LI	1
46		53-9040197-7P	INDICATOR SPRING	1
47		400-38444	CAM SHAFT	1
48		400-41052	LENGTHWISE FEED CAM(X)	1
49		82028-373-000-A	LONGITUDINAL FEED CAM	1
50		260-24600	CAM SHAFT BUSHING LEFT	1
51		400-41052	LATERAL FEED CAM	1
52		400-41022	LONGITUDINAL FEED CAM A	1
53		5D-0640481-5P	SLIDE SCREW D=6.35 H=4.8	1
54		58-5011112-7P	SCREW 1/2"-28 L=13.5	2
55		400-40964	THRUST COLLAR ASSY	1
56		400-40967	THRUST COLLAR	(2)
57		58-5011112-7P	SCREW M8 L=6	(2)
58		400-42081	SPACER	1
59		260-22400	CAM SHAFT BUSHING RIGHT	1
60		58-5011112-7P	SCREW 1/2"-28 L=13.5	4
61		38-8050213-3E	SCREW M4 L=6	1
62		400-41045	OIL RETAINING FELT	1
63		400-41044	FEED SHOULDER SCREW FELT	1
64		22-2620000-00	OIL WICK	0.06
65		22-2620000-00	OIL FELT	0.06
66		1A-3500001-00	CABLE BAND	1
67		22-2620000-00	OIL WICK	0.2

NOTE (RE):
 #01... FOR MB-1373
 #02... FOR MB-1377
 #03... SELECTIVE PARTS

6. BUTTON CLAMP LIFTER COMPONENTS

引き上げ関係

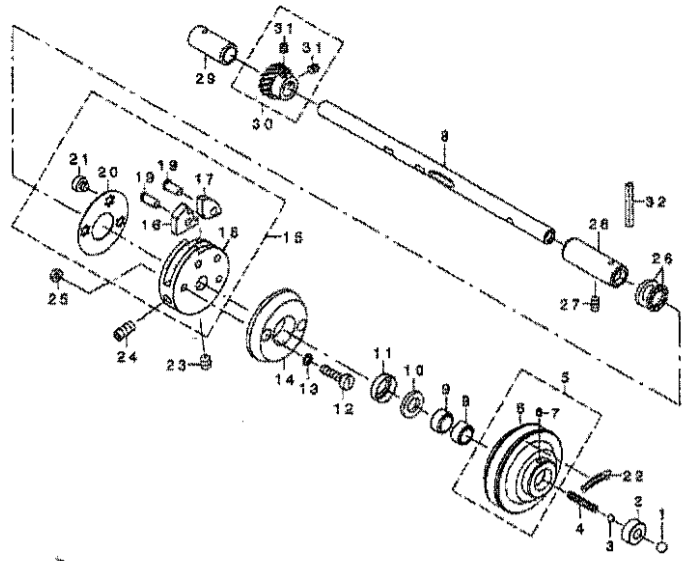


REF. NO.	NOTE	PART NO.	DESCRIPTION	QTY	REV.
1		400-38119	LIFTING LEVER	1	
2		280-18101	BUSHING	1	
3		400-38114	NEEDLE BAR LEVER	1	
4		WP-0751576-SC	WASHER 5.5X18.0X1.2	1	
5		24420-373-000	CUSHION	1	
6	#01	WP-0751576-SC	WASHER 5.5X18.0X1.2	1	
7	#01	WP-0751576-SD	WASHER 7.5X19X1.5	1	
8	#01	105-10805	WASHER	1	
9		WP-0751576-SD	WASHER 7.5X19X1.5	1	
10		WP-0751576-SD	WASHER 7.5X19X1.5	1	
11		24420-373-000	CUSHION	1	
12		WP-0700516-SP	WASHER 7X20X3.5	1	
13		230-33407	SPRING	1	
14		280-33209	WASHER	1	
15		24411-372-000	BUTTON CLAMP LIFTING LINK	1	
16		400-40862	ASSY SLIDING ROLLER	1	
17		400-40953	SLIDING ROLLER	(1)	
18		SM-8060612-TP	SCREW M6 L=6	(1)	
19		400-38321	ECCENTRIC CAM	1	
20		400-38398	ECCENTRIC CAM	(1)	
21		SM-8060412-TP	SCREW M6 L=4	(2)	
22		400-38146	BUTTON CLAMP LIFTING LINK SET	1	
23		400-40866	BUTTON CLAMP LIFTING LINK	(1)	
24		400-38149	LIFTING HOOK	(1)	
25		SD-0940276-TP	SHOULDER SCREW D=6.35 H=2.7	(2)	
26		400-40953	SLIDING ROLLER	(1)	
27		SD-0800726-TP	SHOULDER SCREW D=6.35 H=7.2	(1)	
28		400-38150	LIFTING HOOK SPRING	(1)	
29		NM-6050001-SP	NUT M5	(1)	
30		WP-0410845-SC	WASHER	(1)	
31		SM-8050402-TP	SCREW M3.5 L=4	1	
32		SD-0640481-SP	HINGE SCREW D=6.35 H=4.8	1	
33		SD-0640211-SP	HINGE SCREW D=6.35 H=2.1	1	
34		WP-0330501-68	WASHER M3	1	
35		400-38263	L TYPE LIFTING BAR ROLLER	1	
36		400-38802	BUTTON CLAMP LIFTING ROD A	1	
37		SM-6081092-7P	SCREW M5 L=10	1	
38		400-38425	CONNECTING LINK FRONT	1	
39		280-32202	JOINT STUD	1	
40		B1632-189-000	FEED ADJUSTING JOINT	1	
41		WP-0510516-SD	WASHER 5.1X7.5X0.5	1	
42		NM-6050001-SP	NUT M5	2	
43		400-38219	CONNECTING SCREW	1	
44		NM-6080021-SP	NUT M8 TYPE1	2	
45		400-38429	CONNECTING LINK REAR	1	
46		SD-0640523-TP	HINGE SCREW D=6.35 H=3.2	1	
47		SD-0790402-TP	HINGE SCREW D=7.94 H=4	1	
48		NS-6620310-SP	NUT 3/16-32	1	
49		NS-6150310-SP	NUT 15/64-28	1	
50		400-38397	THREAD TRIMMING LEVER	1	
51		SP-0790316-TP	SHOULDER SCREW D=7.94 H=3.1	1	
52		NM-6050001-SP	NUT M5	1	
53		400-38455	THREAD TRIM LEVER BASE	1	
54		SM-7051480-TP	SCREW M5 L=14	2	
55		250-21709	THREAD TRIMMING LINK	1	
56		SD-0641322-TP	HINGE SCREW D=6.35 H=3.2	1	
57		280-33605	SPRING	1	
58		CS-0960510-SH	THRUST COLLAR ASM. D=9.5 W=8	2	
59		CS-0960516-SH	THRUST COLLAR D=9.5 W=8	(1)	
60		SD-8110410-TP	SCREW 11/64-40 L=3.5	(2)	
61		400-38445	LEVER SHAFT	1	
62		SM-8081010-7P	SCREW M8 L=10	2	
63		280-32605	LIFTING LINK	1	
64		400-38414	LIFTING PLATE GUIDE ROD ASM	1	
65		400-38413	LIFTING PLATE GUIDE ROD	(1)	
66		SM-6061800-SP	SCREW M5 L=16	(1)	

NOTE (注記) #01... SELECTIVE PARTS(USE OF ONE PARTS) 選択部品 (いずれか一部使用)

7. NEEDLE DRIVING PULLEY SHAFT COMPONENTS

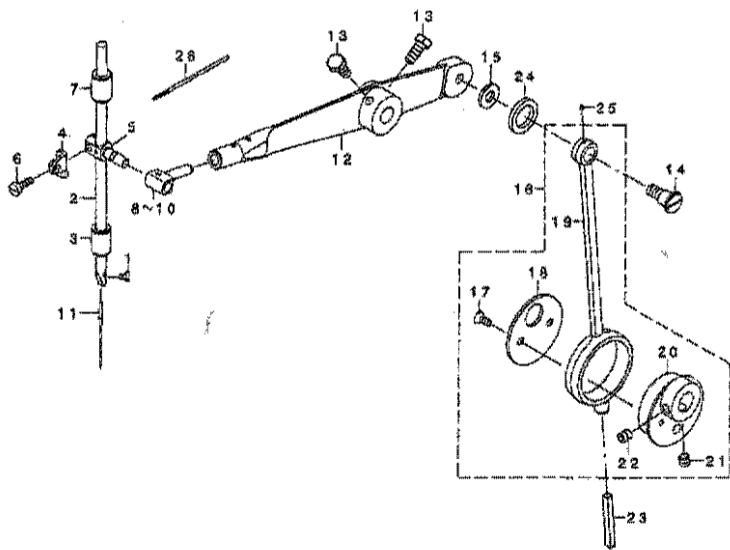
駆動軸関係



REF. NO	NOTE	PART NO.	DESCRIPTION	QTY	QTY
1		51203-372-000	BALL LARGE	1/2" x 1/4"	1
2		380-12401	PULLEY INSERT	1/2" x 1/4" x 1/4"	1
3		400-38203	BALL SMALL	1/2" x 1/4" x 1/4"	1
4		360-12600	SPRING	1/2" x 1/4"	1
5		400-38169	DRIVING PULLEY ASM.	1/2" x 1/4"	1
6		400-38175	DRIVING PULLEY	1/2" x 1/4"	(1)
7		SM-8040612-TP	SCREW M4 L=6	1/4" x M4 L=6	(1)
8		400-38448	NEEDLE DRIVING PULLEY SHAFT	1/2" x 1/4"	1
9		R1243-372-000	NEEDLE BEARING	1/2" x 1/4"	2
10		260-12609	GREASE RETAINING WICK	1/2" x 1/4"	1
11		260-12705	RETAINING WASHER	1/2" x 1/4"	1
12		SM-8065450-TP	SCREW M6 L=23.5	1/4" x M6 L=23.5	2
13		WP-0921626-SP	WASHER 5. EXD. SKI	1/4" x 5.0 x 2.0 SKI	2
14		R1208-372-000	NEEDLE DRIVING PULLEY CLATCH B	1/2" x 1/4"	1
15		400-38137	STOP MOTION DISC ASM.	1/2" x 1/4"	1
16		400-38135	STOP MOTION DISC LATCH A	1/2" x 1/4"	(1)
17		400-38136	STOP MOTION DISC LATCH B	1/2" x 1/4"	(1)
18		400-38138	STOP MOTION DISC	1/2" x 1/4"	(1)
19		400-38139	STOP MOTION PEARL SHAFT	1/2" x 1/4"	(1)
20		400-38140	STOP MOTION DISC WASHER	1/2" x 1/4"	(1)
21		SM-8065555-TP	SCREW M6 L=4.5	1/4" x M6 L=4.5	(1)
22		CN-5002000-01	DIRECTION LABEL	1/2" x 1/4"	1
23		SM-8080812-TP	SCREW M6 L=6	1/4" x M6 L=6	1
24		SM-8081752-TP	SCREW M6 L=17	1/4" x M6 L=17	1
25		SM-8060003-SP	WIT M6 TYPE3	1/4" x M6 TYPE3	2
26		R1215-372-000	THRUST BALL BEARING	1/2" x 1/4"	1
27		SM-8061010-TP	SCREW	1/4" x M6 L=10	1
28		400-38481	PULLEY SHAFT BUSHING RIGHT	1/2" x 1/4"	1
29		400-42146	PULLEY SHAFT BUSHING LEFT	1/2" x 1/4"	1
30		R1217-372-000	DRIVING GEAR (A) ASM.	1/2" x 1/4"	1
31		SM-8080512-TP	SCREW 1/4-40 L=6	1/4" x 1/4-40 L=6	(2)
32		260-18309	OIL WICK	1/2" x 1/4"	1

8. NEEDLE BAR DRIVING MECHANISM COMPONENTS

針棒関係

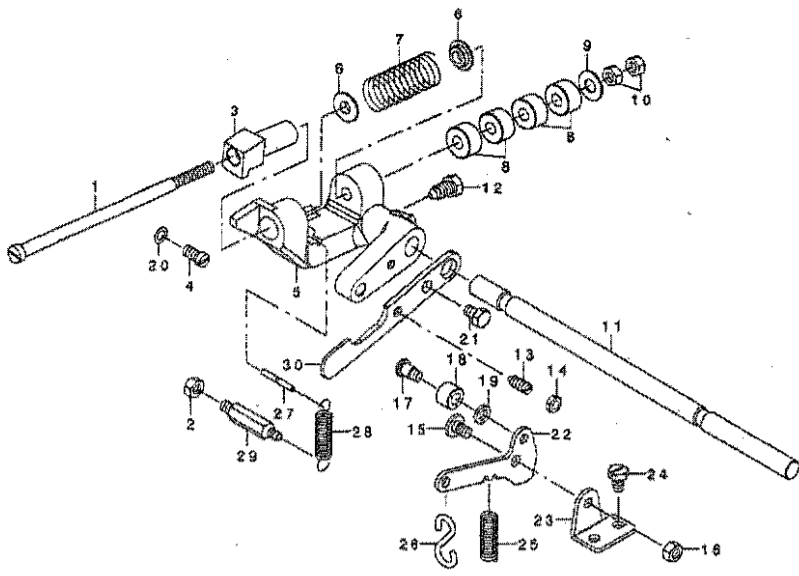


REF. NO	NOTE	PART NO.	DESCRIPTION	QTY	QTY
1		SS-7080510-TP	SCREW 1/8-44 L=4.5	1/8" x 44 L=4.5	1
2		146-08107	NEEDLE ROD	1/2" x 1/4"	1
3		260-17707	NEEDLE BAR BUSHING LOWER	1/2" x 1/4"	1
4		400-40851	NEEDLE BAR BALANCE	1/2" x 1/4"	1
5		400-40852	NEEDLE BAR CLAMP	1/2" x 1/4"	1
6		SM-8041200-SP	SCREW M4 L=12	1/4" x M4 L=12	1
7		400-38142	NEEDLE BAR BUSHING UPPER	1/2" x 1/4"	1
8	#01	400-38120	NEEDLE BAR SLIDE BLOCK A	1/2" x 1/4"	1
9	#01	400-38121	NEEDLE BAR SLIDE BLOCK B	1/2" x 1/4"	1
10	#01	400-38122	NEEDLE BAR SLIDE BLOCK C	1/2" x 1/4"	1
11		WTQ-10081800	NEEDLE TOKI 216	1/2" x 1/4"	1
12		400-38117	NEEDLE BAR DRIVING LEVER	1/2" x 1/4"	1
13		SM-8061403-CP	SCREW M6 L=14	1/4" x M6 L=14	2
14		SP-0950804-TP	SHOULDER SCREW D=9.53 H=6	1/4" x 9.53 H=6	1
15		260-18705	WASHER	1/2" x 1/4"	1
16		260-18457	CRANK ROD ASM.	1/2" x 1/4"	1
17		SS-2110920-TP	SCREW 11/64-40 L=8.5	11/64" x 40 L=8.5	(2)
18		260-18606	THRUST HOLDER	1/2" x 1/4"	(1)
19		260-18408	CRANK ROD	1/2" x 1/4"	(1)
20		260-18507	ECCENTRIC CAM	1/2" x 1/4"	(1)
21		SS-8660612-TP	SCREW 1/4-40 L=6	1/4" x 1/4-40 L=6	(1)
22		SS-8660942-TP	SCREW 1/4-40 L=8.5	1/4" x 1/4-40 L=8.5	(1)
23		260-18309	OIL WICK	1/2" x 1/4"	1
24		400-41045	OIL RETAINING FELT	1/2" x 1/4"	1
25		CQ-2500000-PC	OIL WICK	1/2" x 1/4"	0.01
26		CQ-2020000-PC	OIL WICK	1/2" x 1/4"	0.1

NOTE (註記) #01...SELECTIVE PARTS 選択部品

9. STOP MOTION MECAHNISM COMPONENTS

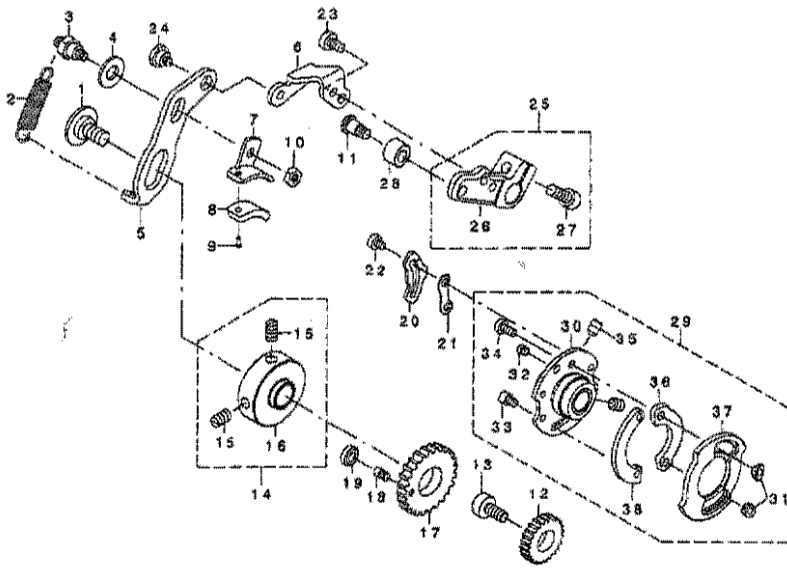
遮断装置関係



REF. NO.	NOTE	PART NO.	DESCRIPTION	QTY.
1		260-27805	STOP MOTION PLUNGER ROD	1
2		NH-6060003-2F	NUT M6 TYPE3	1
3		400-38113	CROSSING HOOK	1
4		SM-6061150-1P	SCREW M6 L=11	1
5		B2602-372-000-A	STOP MOTION PLUNGER LEVER	1
6		262-28104	WASHER	2
7		400-38110	STOP MOTION SPRING	30
8		B2603-260-000	RUBBER CUSHION	4
9		260-30801	WASHER	1
10		NS-6680410-8P	NUT 8/32-23	2
11		400-38448	STOP MOTION SHAFT	1
12		400-42437	SCREW	1
13		SS-8151570-8P	SCREW 16/64-28 L=15.0	1
14		NS-6150310-8P	NUT 16/64-28	1
15		3D-0680276-7P	SHOULDER SCREW D=6.8 H=2.7	1
16		NH-6060001-2P	NUT M6	1
17		SD-0710706-1P	SHOULDER SCREW D=7.14 H=7	1
18		260-29207	STITCH ADJUSTING ROLLER	1
19		WP-0812086-8P	WASHER 8.1X11X2	1
20		260-19604	WASHER	1
21		SR-9061003-CP	SCREW M6 L=10	1
22		400-38100	STOP MOTION TRIP LEVER	1
23		260-28308	STOP MOTION TRIP LEVER BRACKET	1
24		SM-6061250-1P	SCREW M6 L=12	2
25		220-24906	OIL REGULATOR SCREW SPRING	1
26		131-62304	S SHAPED HOOK	1
27		260-28001	STOP MOTION LEVER SPRING PIN	1
28		400-38410	STOP MOTION LEVER SPRING	1
29		400-40940	SCREW STOP	1
30		B2611-373-N00	PRESSURE APPLYING LEVER	1

10. STITCH SELECTING PARTS COMPONENTS

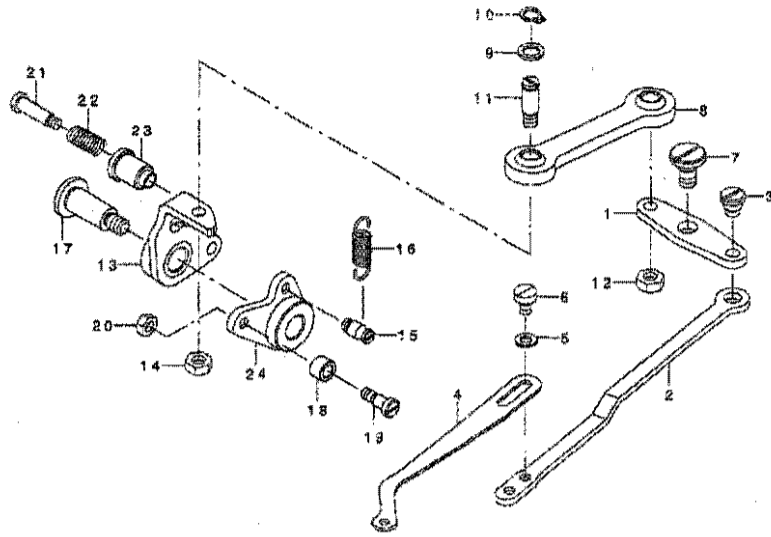
針数調節関係



REF. NO.	NOTE	PART NO.	DESCRIPTION	QTY.
1		SD-1270346-1P	SHOULDER SCREW D=12.7 H=3.4	1
2		250-30304	SPRING FOR FRICTION PLATE	1
3		130-30307	FRICTION PLATE ROTATING SHAFT	1
4		WP-0853002-8P	WASHER 8.5X12X1.6	1
5		130-30308	SPIND SLOWING LEVER	1
6		260-17005	FITTING PLATE	1
7		260-30309	RIGIDITY PLATE HOLDER	1
8		B2646-372-000	SPIND SLOWING FRICTION PLATE	1
9		B2611-235-000	POSITIONING PIN	2
10		NS-6118310-8P	NUT 1/8"-40	1
11		SD-0710706-1P	SHOULDER SCREW D=7.14 H=7	1
12		B2629-372-000	STITCH SELECTING SPUR GEAR, M1	1
13		400-40343	INTERMEDIATE GEAR SHAFT	1
14		400-40342	4MPY SPIND SLOWING FRICTION ROLLER	1
15		SM-1061010-7P	SCREW	(2)
16		400-40344	SPIND SLOWING FRICTION WHEEL	(1)
17		B2630-372-000-A	GEAR, LARGE	1
18		B2631-372-000	SCREW	1
19		B2632-372-000-A	ROLLER	1
20		400-40346	THREAD BIND HOSE	1
21		260-38802	SPACER	1
22		SM-9048840-1P	SCREW WAZO.5 L=4.5	2
23		SM-9048840-2P	SCREW 03 L=6	3
24		SM-6802341-2P	NUT SCREW D=6 H=3.4	1
25		400-38229	STITCH ADJUSTING ARM ASSY.	1
26		SD-38227	STITCH ADJUSTING SHW	1
27		SM-6061803-1A	SCREW M6 L=16	(2)
28		260-29207	STITCH ADJUSTING ROLLER	1
29		400-41084	STITCH ADJUSTING CAM ASSY	1
30		400-41084	STITCH ADJUSTING CAM & ASSY.	(1)
31		400-41080	NUT	(2)
32		400-38234	SCREW	(1)
33		SM-6048800-2P	SCREW 8X3.7 L=5	(1)
34		SM-6048800-1P	SCREW	(2)
35		SM-6052819-1P	SCREW M6 L=8	(2)
36		400-41081	SPACER	(1)
37		400-41082	STITCH CAM A	(1)
38		400-41083	STOP MOTION CAM SHAFT	(1)

11. THREAD BIND NOTCH COMPONENTS (FOR MB-1377)

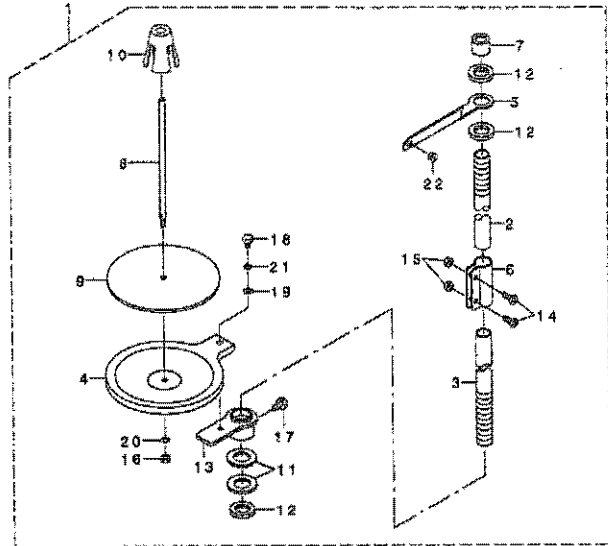
糸結び関係 (MB-1377用)



KEY NO.	NOTE	PART NO.	DESCRIPTION	QTY
1		400-38488	THREAD BIND LEVER	1
2		400-38452	CONNECTING PLATE LARGE	1
3		SP-0640328-TP	SHOULDER SCREW D=6.35 H=3.2	1
4		400-38486	CONNECTING PLATE SMALL	1
5		WF-0430800-SD	WASHER #4	2
6		SM-6040650-TP	SCREW	2
7		SD-0720336-SP	SHOULDER SCREW	1
8		D2609-282-A00	WORK CAMP FOOT BALL LINK	1
9		400-38489	THREAD BIND LINK SHAFT	2
10		WF-0821026-SP	WASHER 6.2X9.5X1	2
11		RC-0660711-EP	RETAINING RING	2
12		NN-6060901-SP	NUT #5	1
13		400-38456	THREAD BIND ARM B	1
14		NN-6060901-SP	NUT #5	1
15		400-38494	THREAD BIND ARM SPRING RAC	1
16		260-17103	SPRING	1
17		SD-0901806-TP	SHOULDER SCREW	1
18		260-17301	ROLLER	1
19		SD-0460576-TP	SHOULDER SCREW D=4.6 H=5.7	1
20		NN-6040001-SP	NUT #4X0.7	1
21		SD-0481456-TP	SHOULDER SCREW D=4.8 H=14.5	1
22		400-38308	SPRING	1
23		400-38365	STITCH ADJUSTING CAM KNOB	1
24		400-38455	ASS_THREAD_BIND_ARM_A	1

12. THREAD STAND COMPONENTS

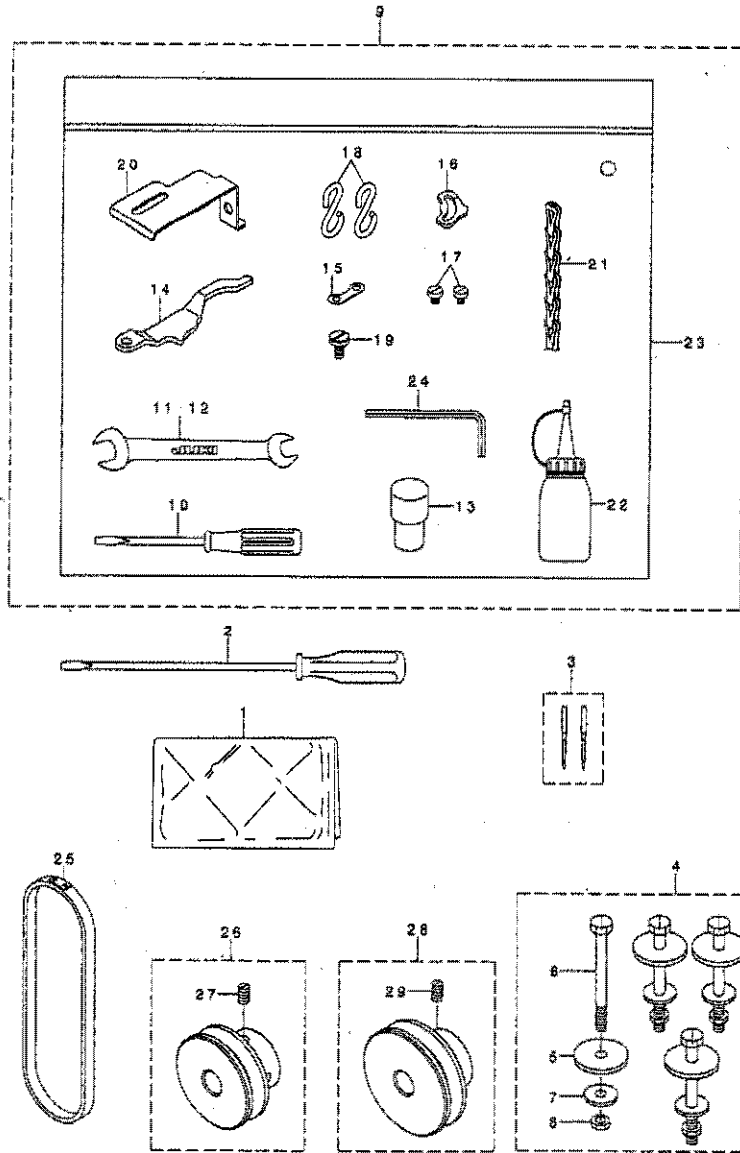
糸立装置関係



REF. NO.	NOTE	PART NO.	DESCRIPTION	数量	Qty.
1		260-08359	THREAD STAND ASM.	1	1
2		229-30408	SPOOL REST ROD, UPPER	(1)	(1)
3		229-30309	SPOOL REST ROD, LOWER	(1)	(1)
4		260-08300	THREAD STAND HOLDER PLATE	(1)	(1)
5		260-08409	THREAD RAISING THREAD GUIDE A	(1)	(1)
6		228-31307	SPOOL REST ROD JOINT	(1)	(1)
7		229-31406	SPOOL REST ROD RUBBER CAP	(1)	(1)
8		229-31090	SPOOL PIN	(1)	(1)
9		229-30902	SPOOL REST CUSHION	(1)	(1)
10		229-31108	SPOOL RETAINER	(1)	(1)
11		WP-1612816-SE	WASHER 16X30X2.6	(2)	(2)
12		NM-6160511-SE	NUT M16X1.6	(3)	(3)
13		260-08557	SPOOL REST BRACKET ASM.	(1)	(1)
14		SM-4051405-SE	SCREW M5 L=14	(2)	(2)
15		NM-6050001-SE	NUT M5	(2)	(2)
16		NM-6050001-SE	NUT M5	(1)	(1)
17		SM-9061080-SE	SCREW M6 L=10	(1)	(1)
18		SM-9050813-SE	SCREW M5X0.8 L=8	(1)	(1)
19		WP-0520656-SA	WASHER 5.2X9.5X0.6	(1)	(1)
20		WS-0510002-KN	SPRING WASHER 5.1X9.2X1.3	(1)	(1)
21		WS-0521010-KN	SPRING WASHER 5.2X8.2X1	(1)	(1)
22		229-31208	THREAD GUIDE	(1)	(1)

14. ACCESSORIE PARTS COMPONENTS

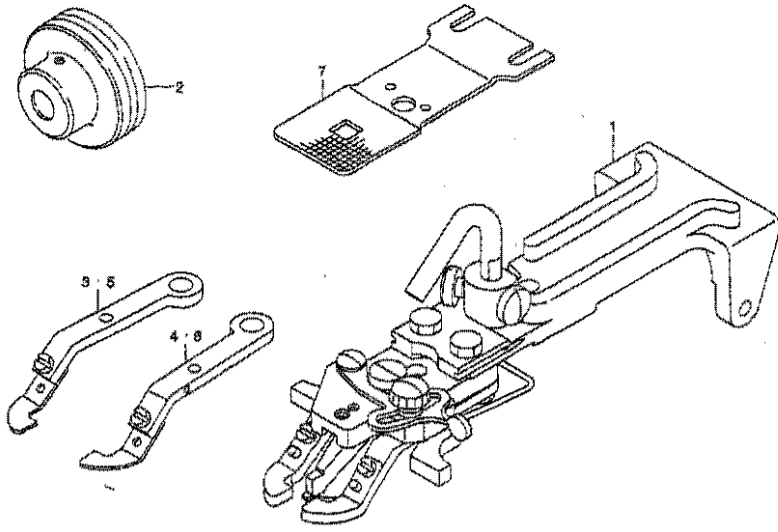
付属品関係



REF. NO.	NOTE	PART NO.	DESCRIPTION	QTY	QTY
1		229-33303	VINYL COVER	1	1
2		229-33006	SCREW DRIVER, LARGE	1	1
3		MTQ-100B1602	NEEDLE TQX1 #16-2	1	1
4		400-41072	BASE SCREW SET	1	1
5		400-38174	RUBBER CUSHION	1	(4)
6		SS-8168830-SP	SCREW 15/84-28 L=68	(4)	(4)
7		WP-0612056-SD	WASHER 6.1X18.5X2	(4)	(4)
8		NS-8160310-SP	NUT 15/84-28	(4)	(4)
9		400-41073	ACCESSORIE BAG_ASM.	1	1
10		229-33106	SCREW DRIVER, MIDDLE	1	(1)
11		250-34702	WRENCH	1	(1)
12		250-34801	WRENCH	1	(1)
13		400-33527	FRAME_SUPPORT_BAR	1	(1)
14		400-38459	STITCH_RUBBER_LEVER	1	(1)
15		250-30806	SPACER	1	(1)
16		400-40946	THREAD_BIND_NOTCH	1	(1)
17		SV-8040560-TP	SCREW HAND, 5 L=4.5	(2)	(2)
18		131-80304	S SHAPER HOOK	(2)	(2)
19		SE-0600346-TP	SHOULDER SCREW D=6 H=3.4	(1)	(1)
20		400-38205	NEEDLE BAR GUARD	1	(1)
21		360-37503	CHAIN	1	(1)
22		11087-000-000	OILER	1	(1)
23		229-32800	ACCESSORIE BAG	1	(1)
24		400-65581	HEXAGONAL WRENCH KEY	1	(1)
25		MTJ-VMD0000C	V ROPE 220MM (LACING)	1	1
26		400-38286	MOTOR PULLEY_50HZ_1300RPM_ASM.	1	1
27		SM-8061010-TP	SCREW	(2)	(2)
28		400-38285	MOTOR PULLEY_50HZ_1300RPM_ASM.	1	1
29		SM-8061010-TP	SCREW	(2)	(2)

15. SPECIAL ORDER SPEC COMPONENTS

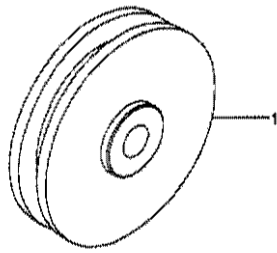
特別仕様関係



REF. NO.	NOTE	PART NO.	DESCRIPTION	QTY.	QTY.
1		MA2-201010AD	PICK-UP DEVICE ASM. L BUTTON	1	1
2		400-38290	MOTOR PULLEY 60HZ 1600RPM ASM	1	1
3		D2556-372-0AA	BUTTON CLAMP JAW LEVER ASM., L	1	1
4		D2556-372-0AA	BUTTON CLAMP JAW LEVER ASM., R	1	1
5		D2556-372-0AA	BUTTON CLAMP JAW LEVER ASM., L	1	1
6		D2556-372-0AA	BUTTON CLAMP JAW LEVER ASM., R	1	1
7		D2528-373-000-A	FEED PLATE, LARGE BUTTON	1	1

16. SUBCLASS COMPONENTS (FOR MB-1373-11)

サブクラス関係 (MB-1373-11用)



REF. NO.	NOTE	PART NO.	DESCRIPTION	QTY.	QTY.
1		400-41032	LENGTHWISE FEED CAN(X)	1	1

JUN
MARK
8-2-1
TOKYO